

# (1) EU-Type Examination Certificate

## according to Module B Paragraph 6.1 of PPE Regulation (EU) 2016/425

- (2) Regulation of the European Parliament and of the Council of 9 March 2016 relating to personal protective equipment (PPE) - Regulation (EU) 2016/425
- (3) No. of EU-Type Examination Certificate: **ZP/B300/18** replaces ZP/B093/15
- (4) Product: **Guided type fall arrester including a rigid anchor line**  
Type: **GÜFA**
- (5) Manufacturer: **Günzburger Steigtechnik GmbH**
- (6) Address: **Rudolf-Diesel-Straße 23, 89312 GÜNZBURG, GERMANY**
- (7) Risk category: **III**
- (8) The design and construction of this personal protective equipment and any acceptable variation thereto are specified in the appendix to this EU type-examination certificate.
- (9) The certification body of DEKRA EXAM GmbH, Notified Body No. 0158 according to Chapter V of Regulation (EU) 2016/425 of 9 March 2016, certifies that this personal protective equipment has been found to comply with the essential Health and Safety Requirements given in Annex II to the Regulation. The evaluation results are recorded in report PB 18-245. Other possibly applicable Union legislations applicable to the specified personal protective equipment have not been taken into account in this EU-type examination certificate.
- (10) The essential Health and Safety Requirements are assured in consideration of  
**DIN EN 353-1:2018**
- (11) This EU type-examination certificate relates only to the design, examination and tests of the specified personal protective equipment in accordance to Regulation (EU) 2016/425. For category III personal protective equipment, this EU type-examination certificate may only be used in conjunction with one of the conformity assessment procedures referred to Article 19 (c).
- (12) When applying the CE Marking according to Article 16 and 17 of Regulation (EU) 2016/425 to the products that conform to the types examined, the client is obliged to add, in accordance with the attached pattern, the identification number of the Notified Body engaged in the conformity assessment according to Module C2 or D. Furthermore, the manufacturer is obliged to issue an EU declaration of conformity in accordance with Article 15 of Regulation (EU) 2016/425 and to enclose it with the personal protective equipment, or to indicate the Internet address in the manual and in the instructions in Annex II, point 1.4., at which the EU declaration of conformity can be accessed.
- (13) This EU-Type Examination Certificate is valid until 2023-12-17.

DEKRA EXAM GmbH  
Bochum, 2018-12-18

Signed: Koch  
Certification body

Signed: Mühlenbruch  
Special services unit

We confirm the correctness of the translation from the German original.  
In the case of arbitration only the German wording shall be valid and binding.

  
Certification body

  
Special services unit



- (14) Appendix to
- (15) **EU-Type Examination Certificate ZP/B300/18**
- (16) 16.1 Subject and type  
Guided type fall arrester including a rigid anchor line  
Type: GÜFA

16.2 Description

The guided type fall arrester including a rigid anchor line, type: GÜFA (Fig.1) is intended to protect a person against falls from a height at a maximum permitted rated load of 150 kg. The minimum rated load is 50 kg. The rigid anchor line is mounted with sufficient strength taking into account the ground to which they are mounted.

The rigid anchor line can be fastened to the building structure by means of different holders (Fig. 2-3). Here the distance between the individual holders can vary in relation to the system design and the maximum distance is 1.68 m. In addition, the rigid anchor lines can be installed with a maximum inclination of 20° towards the building structure and sideways.

The rigid anchor line (Fig. 4) consists of a U-section with different assembly lengths between 1120 mm and 2800 mm.

Galvanized steel, stainless steel or Aluminium could be used as material for the rigid anchor line. Optionally there are more variants of the rigid anchor line in combination with single stile ladders or ladders with double handrail (Fig. 8-11). Two profiles are connected by means of an appropriate rail joint (Fig. 7). The ends of the rigid anchor line are respectively equipped with suitable end stops (Fig. 5-6) to prevent unintended overriding. At its running length the anchor line is provided with rectangular recesses or notches continually at regular intervals. These notches are used to accommodate the safety catches of the guided-type fall arrester. The guided type fall arrester, type GÜFA 5 (Fig. 1) runs on the rigid anchor line. Due to the blocking tab (Fig. 6) which is provided at the entry of the rigid anchor line the guided type fall arrester can only be installed in the correct direction.

In the base element of the guided type fall arrester the safety catches with the energy-absorbing part are stored. Connected to this there is an attachment element for the lanyard. The used lanyard is also secured by a safety pin.

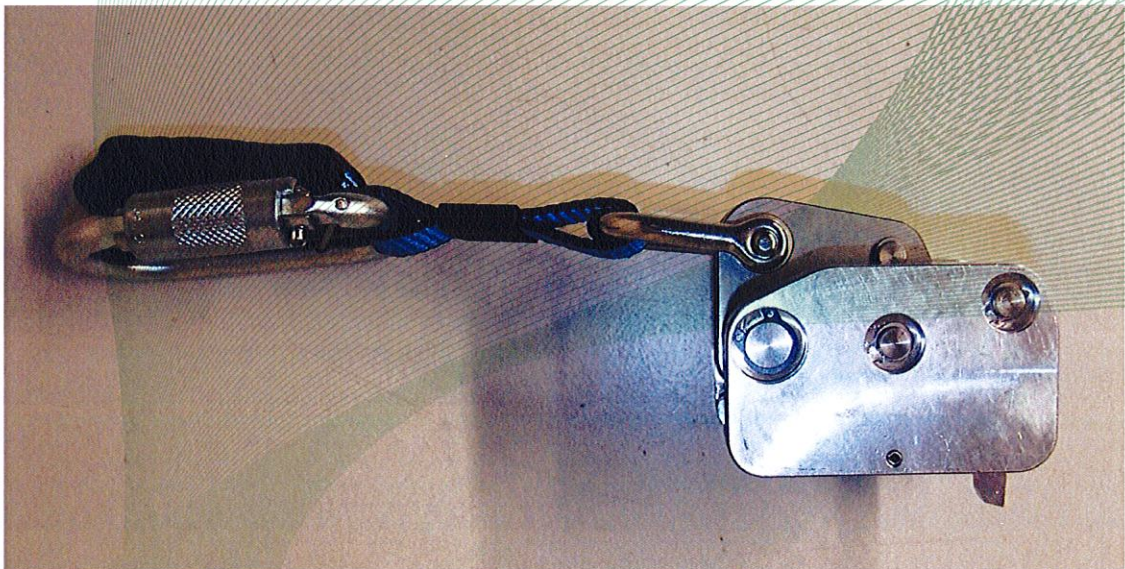


Fig. 1: Guided type fall arrester, type: GÜFA 5



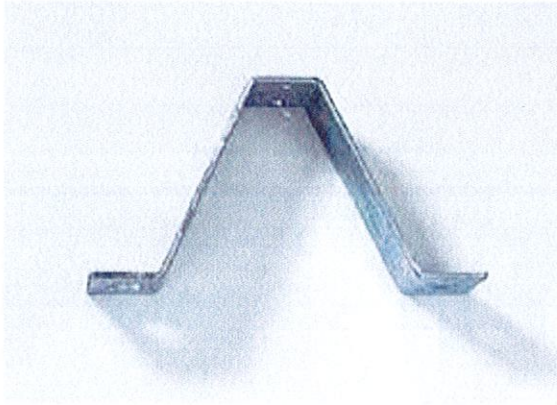


Fig. 2: Holder, type: Wandanker starr

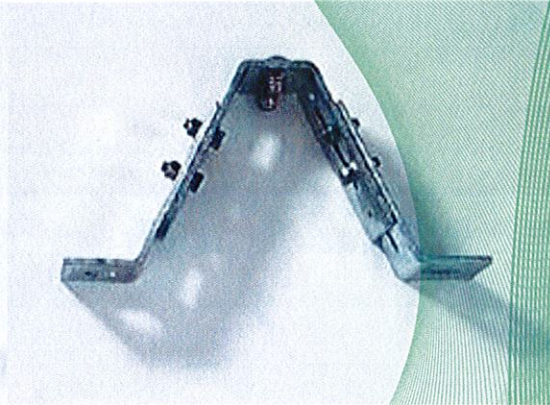


Fig. 3: Holder, type: Wandanker verstellbar

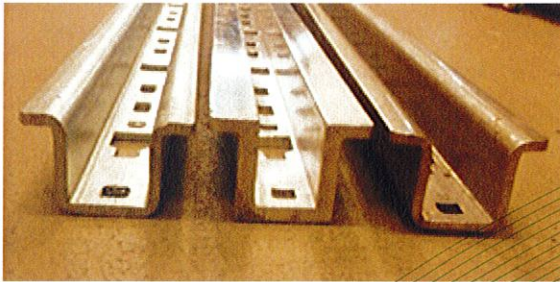


Fig. 4: Profile and material of the guided rail, type: Steigschutzschiene

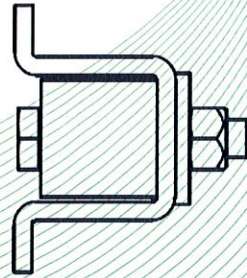


Fig. 5: End stop B, type: Schienensperre starr

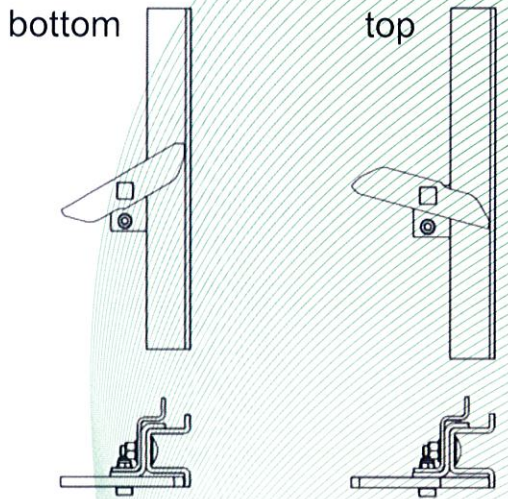


Fig. 6: End stop A, type: Schienensperre lösbar

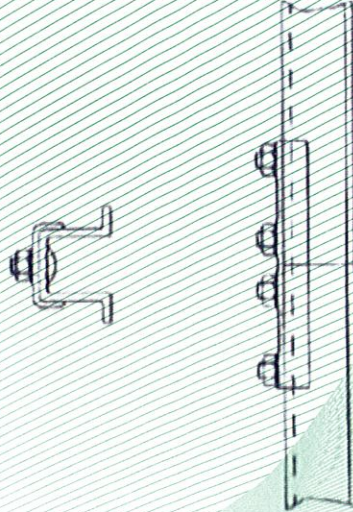


Fig. 7: Rail joint, type: Schienenverbinder





Fig. 8: Single stile ladder with foldable sprouds Fig. 9: Single stile ladder with lashing straps



Fig. 10: Rigid anchor line mounted laterally at the ladder

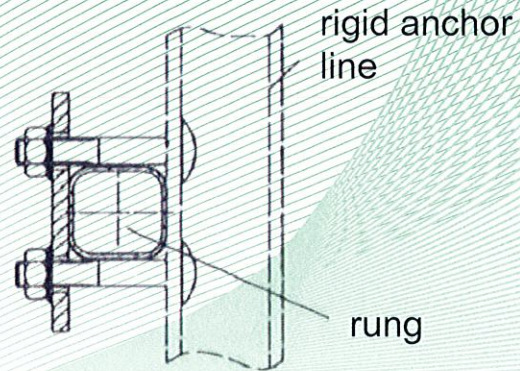


Fig. 11: Fixing of the rigid anchor line centrally at the ladder rung

(17) Test Report

PB 18-245 dd. 2018-12-18