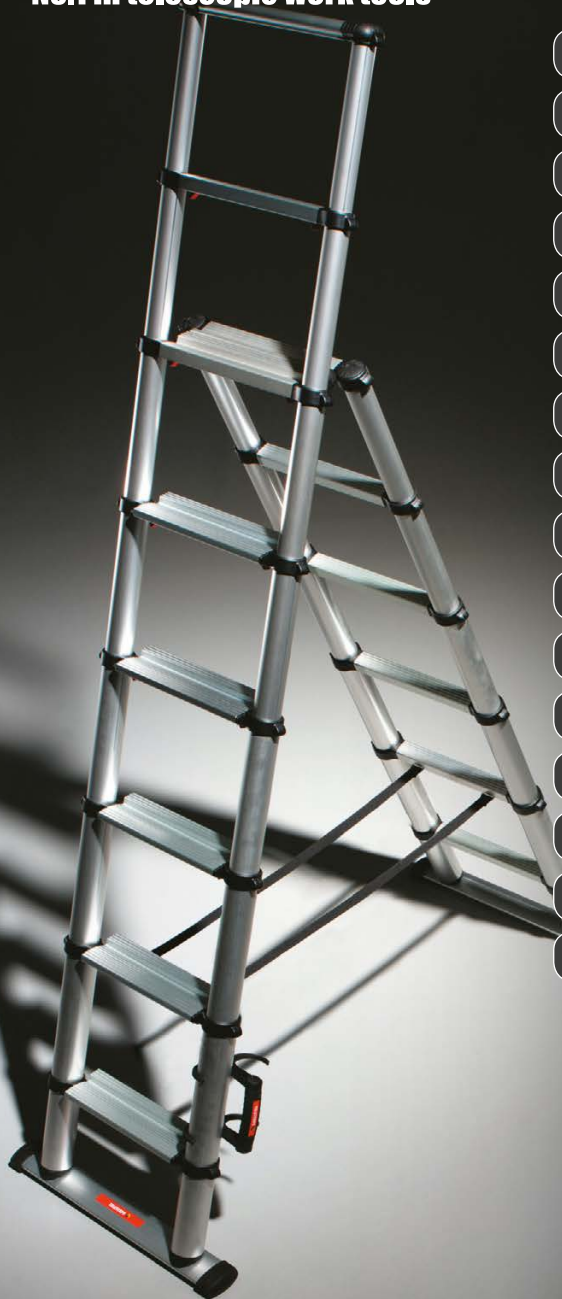


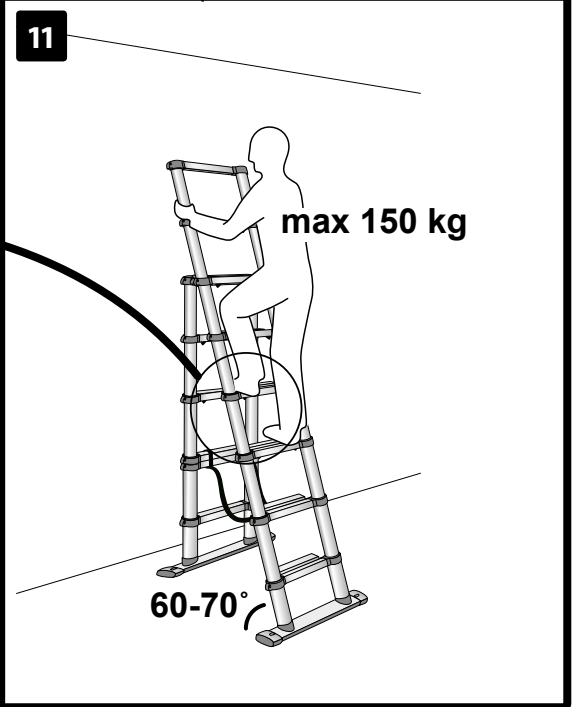
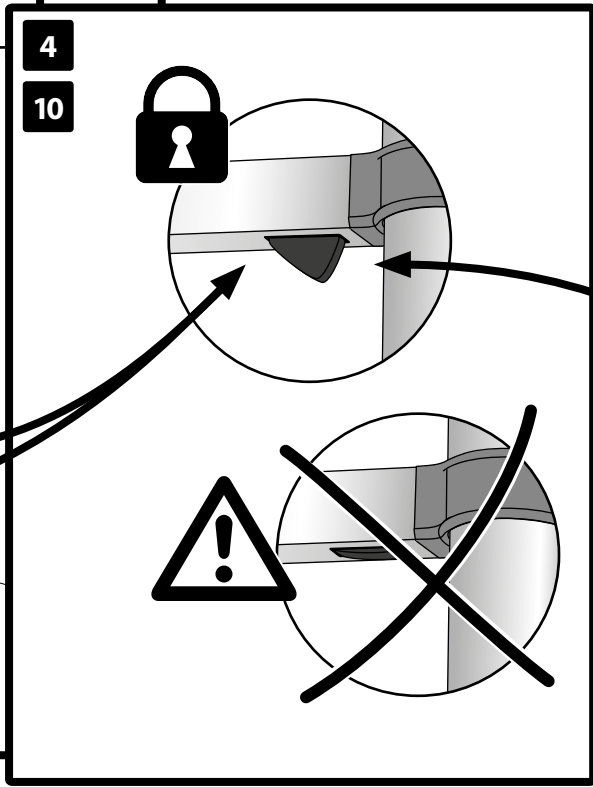
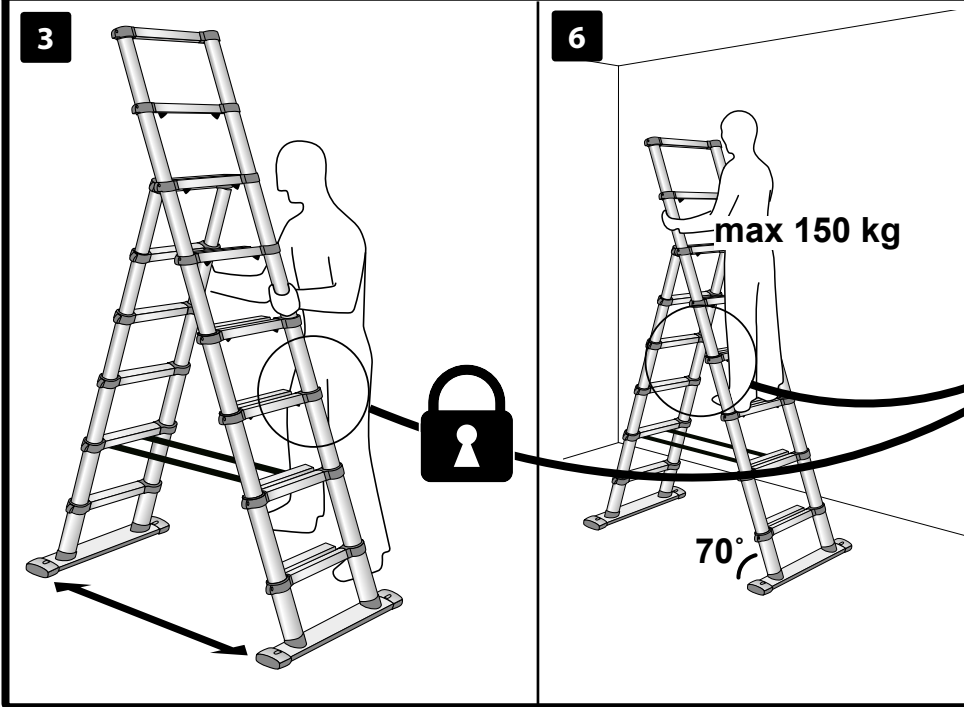
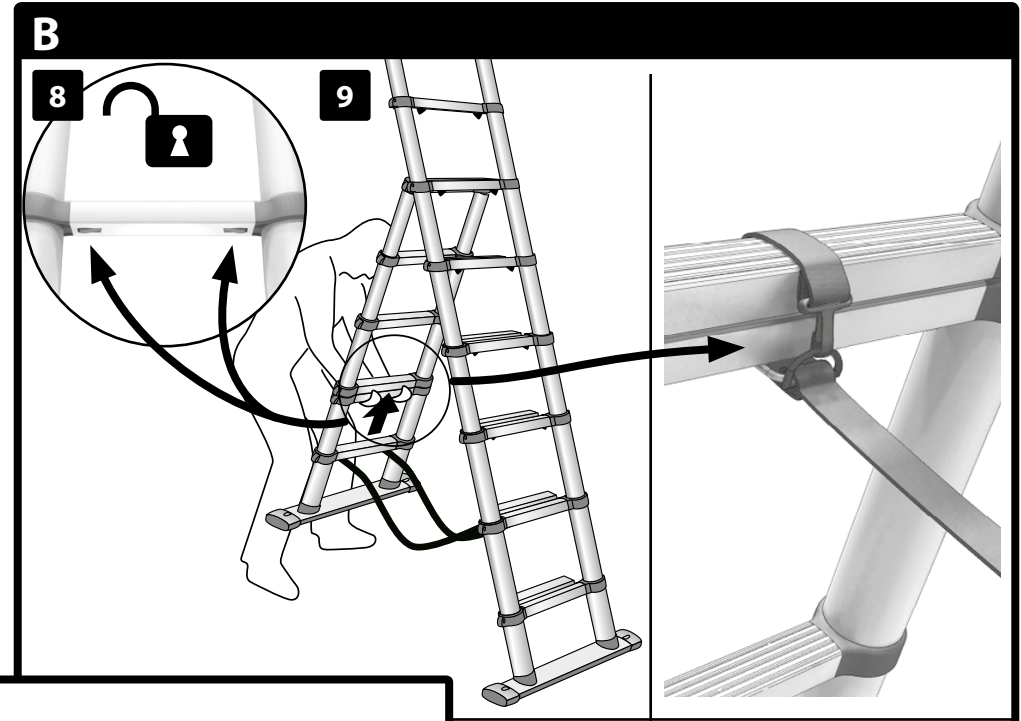
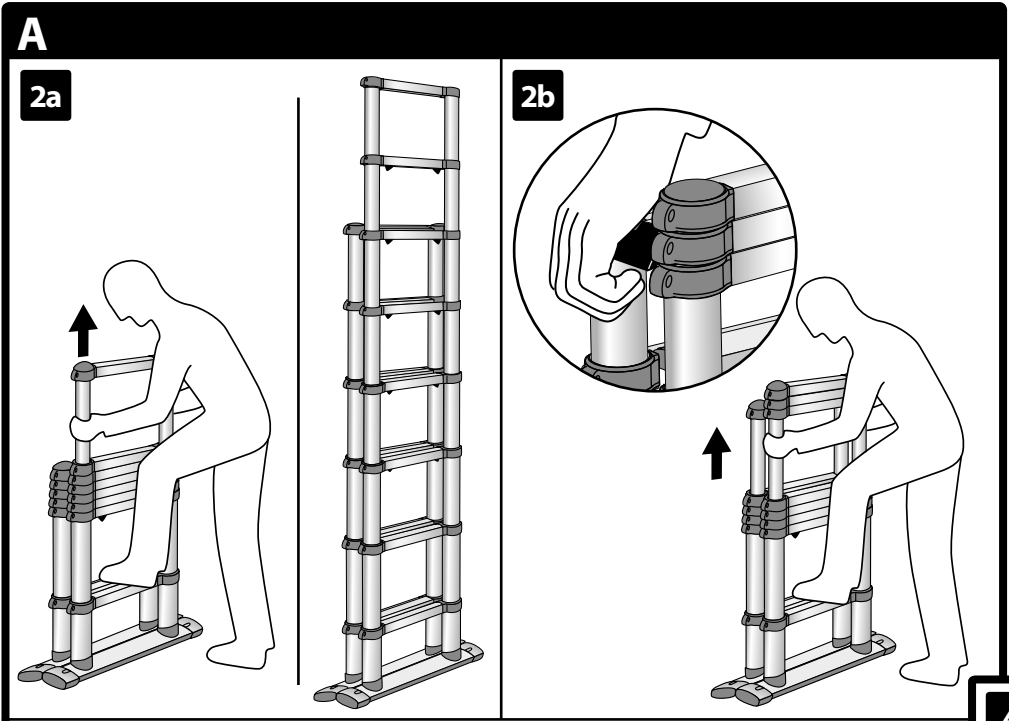
TELESTEPS

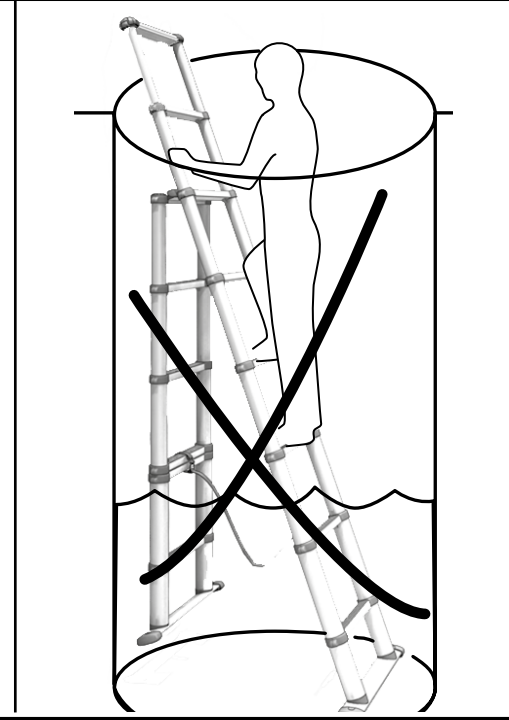
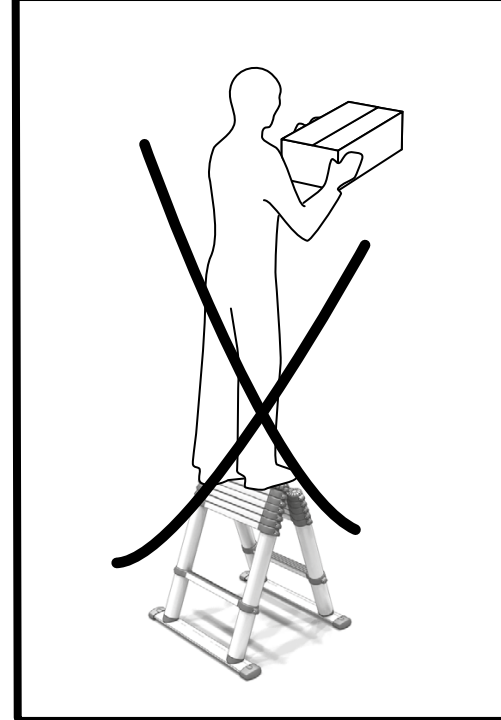
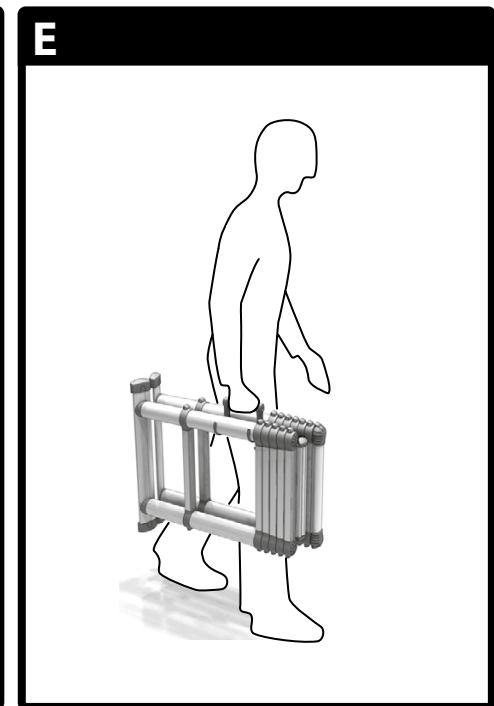
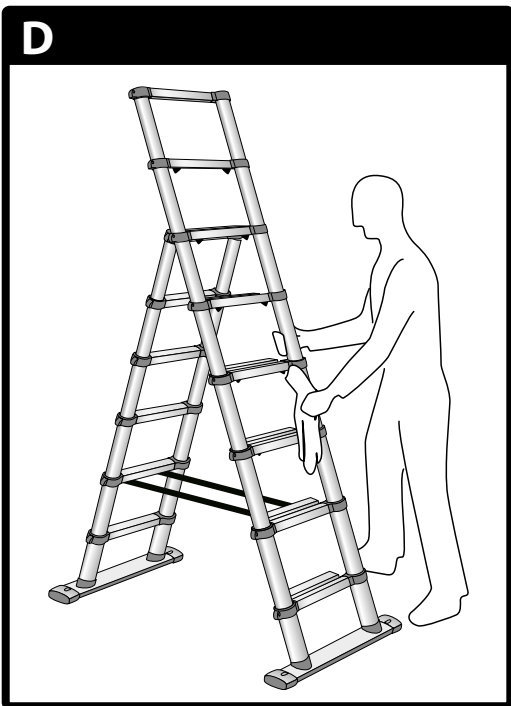
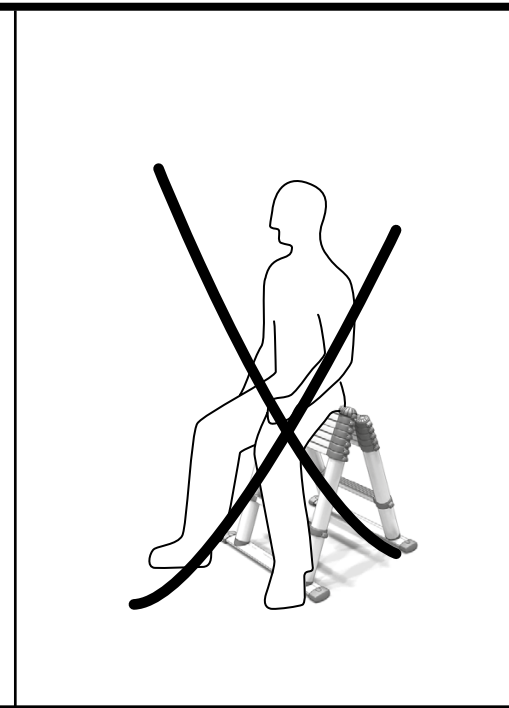
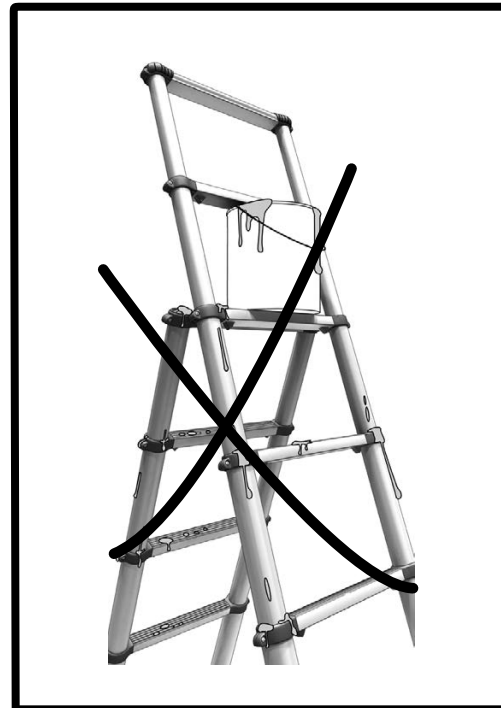
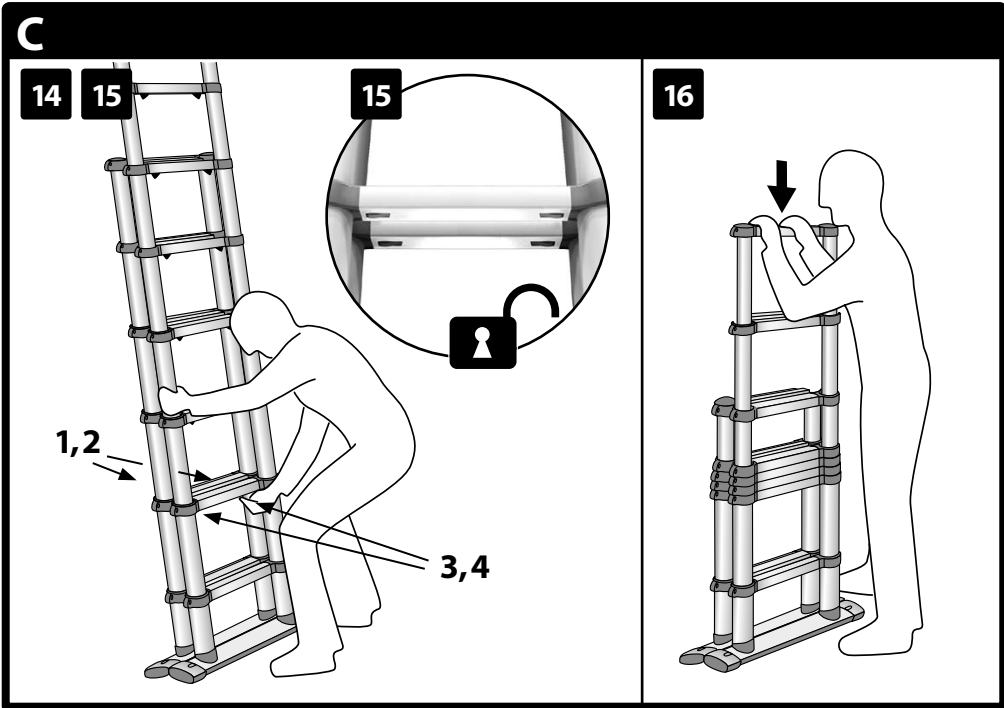


No.1 in telescopic work tools



GB	U.K. & Ireland	2-5
CZ	Česko	6-10
DE	Deutschland	11-15
DK	Danmark	16-19
EE	Eesti	20-23
ES	España	24-28
FI	Suomi	29-33
FR	France	34-38
IT	Italia	39-43
LT	Lietuva	44-48
LV	Latvija	49-53
NL	Nederland	54-58
NO	Norge	59-62
PT	Portugal	63-67
SE	Sverige	68-71
TR	Türkiye	72-76





The **combi ladder** is a telescopic ladder with dual functionality as a freestanding step ladder with or without knee support/handle and as a leaning ladder. Due to its unique design, it can be expanded from a compact format to full height.

In order to retain the properties and function of the ladder, you must use, look after and maintain your combi ladder as described in these instructions.

WARNING! The combi ladder must always be properly locked when in use. Always check that all opened rung sections are locked before climbing the ladder. Don't forget to check the locking catches at the bottom, which are not visible from above.

A Opening the combi ladder into a freestanding stepladder

The combi ladder locks automatically when you open it up.

The combi ladder must always be fully opened, to full height with or without the knee support/handle. You must not sit, stand or step on the combi ladder unless it is fully opened, and as a freestanding stepladder also fully unfolded and locked with the fold up locking latch.

Opening the combi ladder:

- 1 Remove the carry handle.
 - 2 Position the combi ladder on a firm, level surface. Keep the sides of the ladder together and hold down the lowest rungs with your foot when opening the ladder.
- a) **Open up to a step ladder with knee support/handle:**
Grip the top of the ladder and pull out the upper rung section fully. Continue to pull out the rung sections one after another, until the combi ladder is fully opened. Check that the locking catches protrude completely.
- b) **Open up to a step ladder:**
Grip the sides of the double rung (hinged joint) below the knee support/handle and pull out the upper rung sections on both sides of the ladder fully. After that the next section. Continue to pull out the rung sections until both ladder sides without the knee support/handle are fully open. Check that the locking catches protrude completely.

- 3 Unfold both sides of the combi ladder. The spreader must be fully stretched and the ladder at a 70° inclination angle. Bring out the fold up locking latch between the both sides of the ladder and secure it.
- 4 **Check that all open rung sections are locked:** the locking catches must protrude completely. When used without the knee support/handle, the upper locking catches of the closed sections will not protrude.
- 5 If necessary, adjust the ladder so that all rung sections are in the locked position.
- 6 Once you have checked that the fold up locking latch and all opened rung sections are locked, you can use the combi ladder as a freestanding stepladder.

B Converting to leaning ladder

The combi ladder can also be used as a leaning ladder. To convert the combi ladder into a leaning ladder:

- 7 Open the ladder as described above (see A Opening the combi ladder into a freestanding step ladder).
- 8 First unlock the rung sections on the rear of the ladder by pressing in the two bottom locking catches, one at a time.
- 9 Lean the combi ladder forwards. Slide together the lower rung sections and secure the belt around both rungs so they are held together.
- 10 **Check that all rung sections on the front ladder side of the combi ladder are locked:** all locking catches must protrude fully.
- 11 Use the combi ladder as a leaning ladder with the rear folded ladder side hanging. Place the ladder at a 65-70° inclination angle.

WARNING! When the combi ladder is used as a leaning ladder, the front ladder side that you climb up must always be properly locked. Always check that all the front rung sections are locked before climbing the ladder. Don't forget to check the locking clamps at the bottom, which are not visible from above.

C Closing the combi ladder

The combi ladder is unlocked using the four locking clamps at the bottom, below the next to last rungs on each side of the ladder. Close the combi ladder as follows:

- 12 Clean the combi ladder if required (see below).
- 13 Fold both sides of the combi ladder together. If the combi ladder has been used as a leaning ladder, you must first loosen the belt between the two joined back rungs.
- 14 Hold the combi ladder upright and lean it slightly away from you. Hold the telescopic tube, not the rungs, so that you don't trap your fingers when the ladder unlocks and closes.
- 15 First unlock the rung sections furthest from you by pressing in the two bottom locking clamps, one at a time. The rung sections unlock automatically. You will feel the locking mechanism loosening slightly as the ladder folds up. Push in both of the lower locking clamps on the side of the combi ladder that is closest to you, in the same way, to unlock the remainder of the rung sections. The combi ladder is now unlocked.
- 16 Carefully slide the rung sections down together.
- 17 Refit the carry handle.

WARNING! Do not put your hands on or between the rung sections when unlocking and closing the ladder.

D Cleaning

For reasons of safety and functionality, the combi ladder must always be kept clean, particularly the telescopic tubes and rungs. Dirt, filings, paint spots, glue etc. must be wiped away after each use, and before the ladder is closed. Clean the ladder using a rag and a small amount of solvent. Once clean, the telescopic tubes can be treated with silicon spray. Spray in the tube and wipe dry with paper or a cloth. The ladder must always be kept dry so that dust does not cling to it.

E Transport and storage

Carry the combi ladder in its compact format, using the detachable carry handle that is supplied with the ladder. Hook on the carry handle and pull it up as far as the rungs to ensure good balance when carrying the ladder.

Always transport the combi ladder completely

closed in its compact format. This protects the telescopic tubes against impact and damage that could impair the functionality of the combi ladder. When transporting the ladder on roof bars or in a truck, ensure it is suitably placed to prevent damage.

A carry case for the combi ladder is available as an accessory.

The combi ladder shall be stored

- completely closed in compact format
- away from areas where its condition could deteriorate more rapidly (e.g. dampness, excessive heat, exposed to the elements)
- where it cannot be damaged by vehicles, heavy objects, or contaminants
- where it cannot cause a trip hazard or an obstruction
- where it cannot be easily used for criminal purposes, preferably padlocked
- secured against unauthorised climbing (e.g. by children) if it is permanently positioned (e.g. on scaffolding).

Before Use

- The owner of the ladder shall provide the user with the user manual.
- Inspect the ladder after delivery and before first use to confirm condition and operation of all parts.
- Ensure that you are fit enough to use a ladder. Certain medical conditions or medication, alcohol or drug abuse could make ladder use unsafe.
- Visually check the ladder is not damaged and is safe to use at the start of each working day when the ladder is to be used, see "Care and maintenance" below.
- For professional users regular periodic inspection is required.
- Ensure the ladder is suitable for the task.
- Do not use a damaged ladder.
- Remove any contamination from the ladder, such as wet paint, mud, oil or snow.
- Before using a ladder at work a risk assessment should be carried out respecting the legislation in the country of use.
- The ladder shall be used and stored at an ambient temperature of -20° C to 60° C.

Positioning

- Check that the ladder is properly locked before use.
- The ladder should be placed correctly, with a 70° inclination angle in relation to the ground when used as a stepladder, or 60-70° if used as a leaning ladder. The rungs must be horizontal.
- The ladder shall be on an even, level and unmovable base. The ladder must not lean sideways, have no load on one foot or be positioned on slippery surfaces. As a stepladder, it must stand with an equal load on all feet.
- The leaning ladder should lean against a flat non-fragile surface and should be secured before use, e.g. tied or use of a suitable stability device. Do not lean the ladder against its rungs – use the stiles.
- The ladder shall never be repositioned from above.
- Take into account risk of collision with the ladder e.g. from pedestrians, doors or vehicles.
- Identify any electrical risks in the work area, such as overhead lines or other exposed electrical equipment.
- The ladder shall be stood on its feet, not the rungs.
- Ladders shall not be positioned on slippery surfaces (such as ice, shiny surfaces or significantly contaminated solid surfaces) unless additional effective measures are taken to prevent the ladder slipping or ensuring contaminated surfaces are sufficiently clean.

Use

- The maximum load for the ladder is 150 kg.
- You must not sit, stand or climb up the combi ladder if it is not fully open with or without the knee support/handle, and as a freestanding step ladder, folded out with the belt stretched. Unless all rung sections are locked, the combi ladder will be unstable and unsafe to use.
- As a leaning ladder, the combi ladder must always be opened to its full height and leaned with the rear against the wall/support. One rung section on the combi ladder's rear must always be telescoped together so that the ladder stands steady on its front feet with the rear section hanging free.
- You must not climb on the rear of the combi ladder when it is being used a leaning ladder.
- Do not stand on the three upper rungs if the combi ladder is being used as a stepladder with

knee support/handle. Stand under the hinged joint.

- Do not stand on the two upper rungs if the combi ladder is being used as a stepladder without knee support/handle. Do not stand closer than 600 mm from the ladder's upper rung.
- Do not stand on the top three rungs of a leaning ladder.
- When closed up, the combi ladder must not be used for sitting or standing on.
- The ladder must not be used suspended.
- The ladder must not be opened, closed or used upside down.
- The ladder must not be used in a horizontal position or as a bridge.
- Do not use the ladder for dirty work or in dirty environments. If, for example, the ladder is used for bricklaying, concreting or painting, over time it may become hard to keep it clean, impairing the telescopic function.
- Do not use the ladder in wells filled with water, as dirt can get into the telescopic tubes and impair function.
- Do not subject the telescopic tubes to impact or other rough treatment. Damage to the tubes impairs the telescopic function.
- Do not overreach. User should keep their belt buckle (navel) inside the stiles and both feet on the same step/rung throughout the task.
- Do not step off a leaning ladder at a higher level without additional security, such as tying off or use of a suitable stability device.
- Do not use stepladders to climb up to a higher level.
- Ladders should only be used for light work of short duration.
- Use non-conductive ladders for live electrical work.
- Do not use the ladder outside in adverse weather conditions, such as strong wind.
- Take precautions against children playing on the ladder.
- Secure doors (not fire exits) and windows where possible in the work area.
- Face the ladder when ascending and descending.
- Keep a secure grip on the ladder when ascending and descending.
- Wear suitable footwear when climbing a ladder.
- Avoid excessive side loadings e.g. drilling brick and concrete.
- Do not spend long periods on a ladder without

regular breaks (tiredness is a risk).

- Leaning ladders used for access to a higher level should be extended at least 1 m above the landing point.
- Equipment carried while using a ladder should be light and easy to handle.
- Maintain a handhold whilst working from a ladder or take additional safety precautions if you cannot.

Care and maintenance

Your combi ladder is a precision tool. Treat it with care and it will retain its unique properties.

Always keep the combi ladder clean, particularly the telescopic tubes.

The combi ladder must not be used without rubber feet (slip protection) and end caps. The end caps at the top of the ladder prevent dust, metal chips or similar from getting into the telescopic tubes and thus impairing the function of the ladder. The rubber feet and end caps of the ladder are parts that eventually wear out and can be obtained from retailers. Replace the caps when they start to wear.

Any repair work must always be carried out by an authorised service workshop. Don't use the ladder if it needs to be repaired. Contact the retailer.

NB! If the instruction decal on the ladder begins to wear and is difficult to read, you should order a new one. See the address at the back of the instructions or contact your local retailer.

Before use check that

- the stiles (uprights) are not bent, bowed, twisted, dented, cracked or corroded
- the telescopic tubes around the fixing points for other components are in good condition
- fixings (usually rivets, screws or bolts) are not missing, loose, or corroded
- rungs are not missing, loose, excessively worn, corroded or damaged
- rubber feet and end caps are not missing, loose, excessively worn, corroded or damaged
- the entire ladder is free from contaminants (e.g. dirt, mud, paint, oil or grease)
- locking catches are not damaged or corroded and function correctly.

CAUTION! If any of the above checks cannot be fully satisfied you should NOT use the ladder.

GUARANTEE CONDITIONS

The manufacturer guarantees that the product is free from material or manufacturing faults. If material or manufacturing faults, or damage due to material or manufacturing faults, can be proven, the buyer is entitled to have the product repaired or replaced in accordance with the local laws concerning sales of consumer goods in the country of purchase.

Extended guarantee

The manufacturer is responsible for faults in the product, for one year from the purchase date.

Scope of the guarantee

The manufacturer is not responsible for faults in the product, if it is clear that the fault is due to it:

- not being used as described in these instructions
- not being cleaned, cared for, maintained, stored or transported in accordance with these instructions
- being rebuilt, modified or subjected to other external damage or accident
- unintentionally being damaged by any object or substance
- being overloaded
- being repaired by an unauthorised service partner or if non original spare parts have been used
- being incorrectly set up.

The following are not considered as faults:

- normal wear and tear
- parts subjected to fair wear and tear.

Complaints

Proof of purchase must be presented for any guarantee claims. If the purchaser wishes to make a claim with regard to a fault, the dealer must be notified of the fault within a reasonable time after the fault has been discovered, or within the time period regulated by the country of purchase.

Service and repair

Any service or repair work must always be carried out by an authorised service workshop, which then determines suitable action in each individual case. In case of repairs, only original spare parts may be used. Contact your dealer to find the location of your nearest authorised service workshop, or consult the contact information at the back of the instructions.

NÁVOD K POUŽITÍ

Kombinovaný žebřík je teleskopický žebřík s možností variací, kdy může být použit jako volně stojící žebřík (štafle) bez nebo vybavený podpěrou pro kolena/držadlem nebo také jako jednoduchý příložený žebřík. Díky své jedinečné konstrukci lze vysunout žebřík ze složeného stavu až na jeho maximální délku.

Aby byly zachovány vlastnosti a funkčnost kombinovaného žebříku, je velmi důležité, aby byly dodrženy rady a instrukce pro použití, ošetření a údržbu žebříku dle přiloženého návodu.

NEBEZPEČÍ! Kombinovaný žebřík musí být před použitím vždy řádně zajištěn. Před použitím žebříku pokaždé zkontrolujte, zda jsou všechny vysunuté segmenty žebříku zajištěny. Nezapomeňte zkontrolovat spodní pojistky, které nejsou shora viditelné.

A Rozložení kombinovaného žebříku na volně stojící žebřík („štafle“)

Při rozložení kombinovaného žebříku dojde automaticky k zajištění pozice.

Kombinovaný žebřík musí být vždy vysunut až na jeho maximální výšku, s nebo bez opěry pro kolena/držadlem. Je zakázáno sedět, stát nebo stoupat na kombinovaný žebřík, pokud není plně vysunut. Totéž platí pro volně stojící žebřík, pokud není úplně rozložen a zajištěn pojistnou fixační vzpěrou.

Vysunutí kombinovaného žebříku:

- 1 Odstraňte držadlo.
- 2 Postavte kombinovaný žebřík na rovný a tvrdý podklad. Uchopte obě poloviny žebříku ze strany a nohou stoupněte na obě spodní příčky žebříku při rozložení žebříku.
- a) **Vysunutí žebříku pomocí opěry pro kolena/držadla:**
Uchopte horní část žebříku a zcela vytáhněte první segment žebříku. Pokračujte ve vytahování segmentů jeden za druhým, až do úplného vysunutí žebříku. Zkontrolujte, zda jsou pojistky zcela vysunuty.
- b) **Vysunutí žebříku:**
Uchopte strany s dvojitými příčkami (kloubovým spojem) pod opěrou pro kolena/držadlem a zcela vytáhněte nejvyšší segment obou stran žebříku. Pokračujte ve vytahování

segmentů na obou stranách jeden za druhým, až do úplného vysunutí obou stran žebříku, kromě opěry pro kolena/držadla. Zkontrolujte, zda jsou pojistky zcela vysunuty.

- 3 Rozložte obě strany kombinovaného žebříku. Pojistný pásek musí být zcela napnutý a úhel sklonu 70°. Vytáhněte pojistnou fixační vzpěru, vložte mezi obě strany žebříku a vzpěru zajištěte.
- 4 **Zkontrolujte, zda jsou všechny vysunuté segmenty zajištěny:** pojistky musí být zcela vysunuty. Při použití žebříku bez opěry pro kolena/držadla, se vrchní pojistky u nerozložených segmentů nevysouvají.
- 5 V případě potřeby můžete žebříkem trhnout, aby došlo k řádnému zajištění všech segmentů.
- 6 Zkontrolujte, zda je fixační vzpěra a všechny segmenty správně zajištěny v zablokované poloze. Potom můžete kombinovaný žebřík použít jako volně stojící žebřík (štafle).

B Složení žebříku na jednoduchý příložený žebřík

Kombinovaný žebřík lze použít také jako příložený žebřík. Složení kombinovaného žebříku na příložený žebřík se provádí následovně:

- 7 Vysuňte žebřík dle pokynů nahoře (viz A Rozložení kombinovaného žebříku na volně stojící žebřík).
- 8 Odjistěte jednotlivé segmenty žebříku na zadní straně žebříku tak, že postupně vtlačíte dvě spodní pojistky dovnitř.
- 9 Nakloňte kombinovaný žebřík dopředu. Zasuňte nejspodnější segment a obepeňte pásek kolem obou příček žebříku tak, že budou držet pohromadě.
- 10 **Zkontrolujte, zda jsou všechny segmenty přední části kombinovaného žebříku zajištěny:** pojistky musí být zcela vysunuty.
- 11 Používejte kombinovaný žebřík jako příložený žebřík takovým způsobem, že zasunutá zadní část žebříku bude volně visící. Nastavte žebřík tak, aby byl úhel sklonu 65-70°.

VAROVÁNÍ! Používejte příložený žebřík pouze proti rovné a pevné ploše a zajištěte vhodného stabilizačního prvku.

C Složení kombinovaného žebříku

Kombinovaný žebřík se odjistí pomocí čtyř spodních pojistek, které jsou umístěny na obou stranách žebříku, pod předposledními příčkami. Složení kombinovaného žebříku se provádí následovně:

- 12 V případě potřeby vyčistěte kombinovaný žebřík (viz pokyny níže).
- 13 Složte k sobě obě strany kombinovaného žebříku. Pokud se kombinovaný žebřík používá jako příložený žebřík, nejprve uvolněte pásek, který drží spolu dvě zasunutá zadní příčky žebříku.
- 14 Držte kombinovaný žebřík ve svislé poloze, mírně odkloněn od těla. Držte žebřík za teleskopické tyče a ne za příčky, aby nedošlo k přiskřípnutí vašich prstů při odjistištění a zasunutí žebříku.
- 15 Nejprve odjistěte segmenty žebříku, které jsou od Vás nejdále vzdáleny tak, že vtlačíte dovnitř postupně obě spodní pojistky, jednu za druhou. Tímto dojde k automatickému odjistištění segmentů. Přesvědčte se, že uvolněním jisticího mechanismu dojde k mírnému sesunutím žebříku. Vtlačte stejným způsobem obě spodní pojistky na té straně žebříku, která leží nejbližší k Vám, aby došlo k odjistištění zbývajících segmentů. Kombinovaný žebřík je tímto nyní odjistištěn.
- 16 Opatrně do sebe zasuňte jednotlivé segmenty žebříku.
- 17 Nasaďte zpátky držadlo.

VAROVÁNÍ! Dávejte pozor, abyste během odjistištění nebo složení žebříku nevlozili ruce na segmenty nebo mezi segmenty žebříku.

D Čištění

Z bezpečnostních a funkčních důvodů má být teleskopický žebřík vždy udržován v čistotě, zejména teleskopické trubky a příčky. Nečistoty, prach, skvrny od barvy, lepidla a další znečištění je třeba umýt nebo otřít po každém použití, a než žebřík složíte. Žebřík čistěte pomocí hadříku s rozpouštědlem. Po vyčištění lze teleskopické trubky ošetřit silikonovým sprejem. Nastříkejte trubky sprejem a vytřete do sucha papírem nebo hadrem. Žebřík by měl být vždy suchý, aby nevázal prach.

NÁVOD K POUŽITÍ

E Přeprava a skladování

Převázejte kombinovaný žebřík ve složeném stavu pomocí držadla, které je součástí dodávky. Zaklesněte držadlo a zatáhněte nahoru směrem k příčkám, aby došlo k ustavení rovnováhy při nošení.

Převázejte kombinovaný žebřík pouze ve složeném stavu. Zajistíte tím zabezpečení teleskopických tyčí proti nárazům a poškození, které může narušit funkci kombinovaného žebříku. Upevněte žebřík při transportu bezpečně na střešním nosiči nebo v nákladním automobilu tak, aby se nemohl poškodit.

Taška pro kombinovaný žebřík jako příslušenství.

Před použitím

- Majitel žebříku musí zajistit, aby uživatel měl k dispozici příručku.
- Před prvním použitím po dodávce je potřeba ověřit, že žebřík je v dobrém stavu a že všechny jeho části jsou funkční.
- Váš zdravotní stav musí dovolovat používání žebříku. Určitá onemocnění, léky, použití alkoholu nebo drog, mohou vést k bezpečnostním rizikům.
- Pro bezpečné používání žebříku by měl být tento kontrolován každý pracovní den za účelem ověření, že není poškozený, viz «Péče a údržba» níže.
- Pokud je žebřík používán k profesionálním účelům, musí být kontrolován pravidelně.
- Ujistěte se, že žebřík je vhodný pro vaši práci.
- Nepoužívejte poškozený žebřík.
- Odstraňte nečistoty, jako jsou vlhké barvy, bláto, olej a sníh.
- Před použitím žebříku pro práci je nutné provést analýzu rizik, a respektovat předpisy země, ve které je používán.
- Žebřík má být používán a skladován při teplotě okolí od -20° C do 60° C.

Umístění

- Ujistěte se, že žebřík je před použitím správně zaaretován.
- Pokud se žebřík používá jako volně stojící žebřík, umístěte žebřík do správné polohy s úhlem sklonu 70° k podlaze, nebo s úhlem sklonu 60-70° pokud se používá jako příložný žebřík. Příčky žebříku musí být v horizontální poloze.
- Žebřík musí být umístěn na rovný, vodorovný a pevný podklad. Žebřík nesmí být nakloněn na stranu, nesmí stát s jednou nezátíženou nohou žebříku nebo umístít na podklad, který může klouzat. Pokud se používá jako volně stojící žebřík, musí se umístit s rovnoměrným zatížením na všech nohou.
- Příložný žebřík musí být opřen o rovný a pevný povrch a zajištěn před použitím, např. tím, že jej pevně připoutáte nebo stabilizujete jiným smysluplným způsobem. Neopírejte žebřík o příčky, ale o postranní trubky.
- Žebřík nesmí být přemísťován na nové místo práce shora.
- Zvažte riziko, zda nemohou do postaveného žebříku narazit chodci, auta nebo dveře.
- Identifikujte všechna rizika spojená s elektrickým proudem na pracovišti, jako jsou volná vedení proudů a další nechráněná elektrická zařízení.
- Žebřík musí být postaven na nohy, ne na příčky.
- Žebřík se nesmí stavět na kluzký povrch (např. led, hladký povrch nebo značně znečištěné plochy), aniž by byla provedena opatření proti uklouznutí žebříku nebo aniž by byl povrch vyčištěn.

Použití

- Maximální povolené zatížení žebříku je 150 kg.
- Je zakázáno sedět, stát nebo stoupat na kombinovaný žebřík, pokud není zcela vysunut s nebo bez podpěry pro kolena/držadla. Totéž platí pro volně stojící žebřík, pokud není úplně rozložen a zajištěn pojistným páskem. Pokud nejsou všechny segmenty žebříku zajištěny, je kombinovaný žebřík nestabilní a jeho používání není bezpečné.
- Pokud se kombinovaný žebřík použije jako příložný žebřík, je nutné žebřík pokaždé vytáhnout na plnou výšku a používat opřený zadní stranou o zed/podporu. Jeden segment zadní strany kombinovaného žebříku by měl

- být pokaždé zasunut, aby stál žebřík pevně na předních nohách, s volně visící zadní částí.
- Pokud se žebřík použije jako příložný žebřík, je zakázáno stoupat po jeho zadní straně.
- Pokud se kombinovaný žebřík používá jako volně stojící žebřík s opěrou pro kolena/držadlo, nestoupejte na první vrchní tři příčky žebříku. Postavte se pod kloubový spoj.
- Pokud se kombinovaný žebřík používá jako volně stojící žebřík bez opěry pro kolena/držadla, nestoupejte na první dvě příčky žebříku. Dbejte, abyste stáli ve vzdálenosti nejméně 600 mm od vrchní příčky žebříku.
- Nestoupejte na tři nejvyšší příčky příložného žebříku.
- Kombinovaný žebřík nesmí být ve složeném stavu použit jako podložka k sezení nebo ke stání.
- Žebřík nesmí být nikdy používán jako zavěšený.
- Žebřík se nesmí rozkládat, skládat ani používat v poloze vzhůru nohama.
- Žebřík se nesmí používat ve vodorovné poloze nebo jako přemostění.
- Nepoužívejte žebřík při práci, kde vzniká velké množství špíny, nebo ve znečištěném prostředí. Pokud například žebřík využíváte ve stavebnictví při zednických, betonářských nebo malířských pracích, může být časem obtížné jej vyčistit a jeho teleskopická funkce tím je ohrožena.
- Nepoužívejte žebřík v šachtách naplněných vodou, může to způsobit proniknutí nečistot do teleskopických trubek a ovlivnění jejich funkčnosti.
- Nevystavujte teleskopické trubky nárazům nebo jinému hrubému zacházení. Poškození trubek negativně ovlivňuje jejich teleskopickou funkci.
- Nevyklánějte se příliš daleko do stran. Během celého pracovního procesu na žebříku je zapotřebí, aby se přezka pásku uživatele (popř. pupík) nacházela mezi postranicemi žebříku a jeho obě nohy byly na stejné příčce.
- Nevstupujte na příložný žebřík ve velkých výškách bez dalšího jištění, jako je například pevné uvázání žebříku nebo jiná vhodná stabilizační metoda.
- Nepoužívejte volně stojící žebřík ke stoupání na vyšší úroveň.
- Žebříky by měl být používány pouze pro lehčí práci a krátkodobě.
- Pro elektroinstalační práce používejte nevodivý

žebřík.

- Nepoužívejte žebřík venku za špatného počasí, jako např. při silném větru.
- Dbejte na to, aby si s žebříkem nehrály děti.
- Zamkněte dveře (nikoli nouzové východy) a okna na pracovišti, pokud je to možné.
- Při lezení po žebříku nahoru a dolů stůjte vždy obličejem proti žebříku.
- Při lezení po žebříku nahoru a dolů se vždy dobře držte žebříku.
- Při práci na žebříku používejte vždy vhodnou obuv.
- Vyhněte se práci, která by vyžadovala velký náklon a zatížení směrem do strany, například vrtání do zdi nebo betonu.
- Nestůjte na dlouhou dobu na žebříku, aniž byste zařadili častější přestávky (únava je rizikový faktor).
- Příložný žebřík, který se používá k lezení na vyšší úroveň, by měl přesahovat alespoň 1 metr nad místo výstupu.
- Při práci na žebříku používejte pouze lehké a jednoduché vybavení.
- Pokud je to možné, přidržujte se při práci na žebříku jednou rukou žebříku, případně přijměte jiná vhodná opatření.

Péče a údržba

Váš kombinovaný žebřík je precizní nářadí. Zacházejte proto s žebříkem opatrně, aby byly zachovány jeho jedinečné vlastnosti.

Udržujte žebřík neustále v čistotě, obzvlášť pokud jde o teleskopické tyče.

Žebřík nesmí být použit bez pryžových (protiskluzových) nožiček a krytů. Ochranné kryty zabraňují pronikání prachu, kovových špon a podobně do teleskopických trubek, což by mohlo jinak narušit funkčnost žebříku. Gumové nožičky žebříku a ochranné kryty jsou opotřebitelné díly, dodávané prodejcem. Vyměňte tyto ochranné prvky, pokud jsou opotřebované.

Teleskopický žebřík smí být opravován pouze kvalifikovaným personálem. Nepoužívejte teleskopický žebřík, pokud vyžaduje opravu, ale obraťte se na svého prodejce.

POZOR! Pokud se opotřebí informační tabulka na žebříku a nedá se přečíst, objednejte si novou nálepku. Viz adresa na zadní straně návodu k použití nebo se informujte u Vašeho místního prodejce.

Zkontrolujte před použitím, že

- teleskopické trubky nejsou ohnuté, zkroucené, promáčknuté, popraskané nebo zkorodované
- teleskopické trubky jsou na všech spojích nepoškozené
- žádné kování (nýty, šrouby, atd.) nechybí, není uvolněné nebo zkorodované
- příčky nechybí, nejsou uvolněné, opotřebované, zkorodované nebo poškozené
- gumové nožičky a ochranné kryty nechybí, nejsou volné, opotřebované, zkorodované nebo poškozené
- celý žebřík je čistý (bez nečistot, bláta, barvy, oleje nebo maziva)
- aretovací zařízení nejsou poškozená nebo zkorodovaná, a že fungují správně.

VAROVÁNÍ! Nepoužívejte žebřík, pokud zjistíte vady, které jsou popsány výše.

ZÁRUČNÍ PODMÍNKY

Výrobce zaručuje, že výrobek je bez vady materiálu a zpracování. V případě prokazatelné vady materiálu nebo zpracování, nebo škody vzniklé v důsledku vady materiálu nebo zpracování, které jsou prokazatelné, má kupující nárok na opravu nebo výměnu výrobku v souladu se zákony o prodeji spotřebního zboží, které jsou platné v zemi nákupu.

Rozšířená záruka

Výrobce je odpovědný za vady výrobku, které se vyskytnou v průběhu jednoho roku od data původní koupě.

Rozsah

Výrobce není odpovědný za vady výrobku, pokud je pravděpodobné, že vada vznikla v důsledku

- používání výrobku jiným způsobem, než je popsáno v návodu k použití
 - nedostatečného čištění, údržby, skladování nebo transportu, neodpovídajícího návodu k použití
 - přestavby, změny nebo vystavení jinému vnějšímu poškození nebo nehodě
 - náhodného poškození cizími předměty nebo látkami
 - přetížení
 - opravy neautorizovaným servisním partnerem, nebo použitím jiných než originálních náhradních dílů
 - nesprávné instalace.
- Za vadu není považováno
- běžné opotřebení
 - běžná spotřeba opotřebitelných dílů.

Reklamace

Pro platnost záruky je nutné předložit účtenku o nákupu. Kupující musí oznámit prodejci závadu, kterou chce reklamovat, v přiměřené lhůtě poté, co byla závada zjištěna, nebo ve lhůtě stanovené v zemi nákupu.

Servis a opravy

Jakékoli služby nebo opravy by měly být vždy prováděny výhradně autorizovaným servisním střediskem, které v každém jednotlivém případě provede posouzení a navrhne vhodné opatření. Při opravě je nutné používat vždy originální náhradní díly. Kontaktujte svého prodejce pro zjištění, kde se nachází nejbližší autorizované servisní středisko, nebo vyhledejte adresu na zadní straně návodu k použití.

Die **Kombileiter** ist eine Teleskopleiter, die sich sowohl als freistehende Stehleiter mit oder ohne Beinstütze/Handgriff als auch als Anlegeleiter nutzen lässt. Durch ihre einzigartige Konstruktion lässt sie sich aus einem kompakten Format zur vollen Höhe ausziehen.

Zur Bewahrung der Eigenschaften und Funktionsfähigkeit der Kombileiter ist es von allergrößter Bedeutung, dass sie wie folgt benutzt, gepflegt und gewartet wird.

A Kombileiter zur freistehenden Stehleiter ausziehen

Die Kombileiter rastet automatisch ein, wenn sie ausgezogen wird.

Die Kombileiter muss immer ganz auf ihre volle Höhe ausgezogen werden, mit oder ohne Beinstütze/Handgriff. Sie dürfen auf die Kombileiter nicht hinaufsteigen bzw. darauf sitzen oder stehen, bevor sie nicht ganz ausgezogen und – bei der Nutzung als freistehende Stehleiter – außerdem mit dem Schutzriegel vor Zusammenklappen gesichert ist.

Kombileiter wie folgt ausziehen:

- 1 Tragegriff abnehmen.
- 2 Kombileiter auf einen waagerechten und harten Untergrund stellen. Leiterseiten zusammenhalten und die beiden untersten Leitersprossen mit einem Fuß unten halten, während die Leiter ausgezogen wird.
- a) **Zur Stehleiter mit Beinstütze/Handgriff ausziehen:**
Leiter ganz oben festhalten und das oberste Sprossensegment vollständig ausziehen. Mit dem Ausziehen der Sprossensegmente einzeln nacheinander fortfahren, bis die Kombileiter ganz ausgezogen ist. Überprüfen, ob die Sperrriegel vollständig herunterfallen.
- b) **Zur Stehleiter ausziehen:**
Die Seiten der doppelten Leitersprosse (Scharniergelenk) unterhalb von Beinstütze/Handgriff festhalten und das oberste Sprossensegment beider Leiterseiten ausziehen. Mit dem Ausziehen der Sprossensegmente einzeln nacheinander fortfahren, bis beide Leiterseiten außer dem Beinstützen-/Handgriff-Segment ausgezogen

sind. Überprüfen, ob die Sperrriegel vollständig herunterfallen.

- 3 Beide Leiterschenkel auseinanderklappen. Das Band muss ganz gestreckt sein und der Aufstellwinkel 70° betragen. Den Zusammenklappschutzriegel zwischen den beiden Leiterschenkeln ausklappen und einrasten lassen.
- 4 **Prüfen, ob sämtliche ausgezogenen Sprossensegmente arretiert sind:** Die Sperrriegel müssen komplett ausgeklappt sein. Bei der Verwendung ohne Beinstütze/Handgriff werden die obersten Sperrriegel an den nicht ausgezogenen Sprossensegmenten nicht ausgeklappt.
- 5 Bei Bedarf etwas an der Leiter rütteln, sodass alle Sprossensegmente in der Verriegelungsposition einrasten.
- 6 Wenn überprüft ist, dass der Zusammenklappschutzriegel eingerastet ist und alle Segmente arretiert sind, können Sie die Kombileiter als freistehende Stehleiter benutzen.

B Umstellen zur Anlegeleiter

Die Kombileiter lässt sich auch als Anlegeleiter verwenden. Das Umstellen von der Kombileiter zur Anlegeleiter erfolgt folgendermaßen:

- 7 Leiter wie oben beschrieben ausziehen (siehe A „Kombileiter zur freistehenden Stehleiter ausziehen“).
- 8 Die Sprossensegmente auf der hinteren Leiterseite entriegeln, indem Sie die beiden untersten Sperrriegel nacheinander eindrücken.
- 9 Kombileiter nach vorn kippen. Das unterste Sprossensegment zusammenschieben und den Riemen um die beiden Leitersprossen anziehen, sodass sie zusammengehalten werden.
- 10 **Überprüfen, ob alle Sprossensegmente an der vorderen Seite der Kombileiter arretiert sind:** Die Sperrriegel müssen komplett ausgeklappt sein.
- 11 Bei der Nutzung der Kombileiter als Anlegeleiter lässt man die hintere, zusammengeschobene Leiterseite hinunterhängen. Der Aufstellwinkel der Leiter muss 65–70° betragen.

WARNUNG! Die Anlegeleiter muss gegen eine ebene und feste Fläche gelehnt und vor der Benutzung gesichert werden, beispielsweise durch Festbinden oder eine andere sinnvolle Methode, die für Stabilität sorgt.

C Kombineiter zusammenschieben

Die Verriegelung der Kombineiter wird mit den vier Sperrriegeln ganz unten gelöst, die sich unter den zweituntersten Sprossen auf jeder Leiterseite befinden. Die Kombineiter wie folgt zusammenschieben:

- 12 Falls erforderlich, die Kombineiter reinigen (siehe unten).
- 13 Die Kombineiter zusammenklappen. Falls die Kombineiter als Anlegeleiter verwendet worden ist, zunächst den Riemen lösen, der die beiden zusammengeschobenen Sprossen auf der hinteren Seite zusammenhält.
- 14 Die Kombineiter aufrecht halten und etwas vom Körper weg neigen. Leiter an den Teleskopstangen festhalten (nicht an den Sprossen), um zu vermeiden, dass Sie sich beim Entriegeln und Zusammenschieben der Leiter klemmen.
- 15 Zuerst die Sprossensegmente am hinteren Leiterschlenkel entriegeln, indem Sie die beiden untersten Sperrriegel nacheinander eindrücken. Die Arretierung der Sprossensegmente wird automatisch gelöst. Das Lösen des Verriegelungsmechanismus zeigt sich dadurch, dass die Leiter etwas zusammenrutscht. Die beiden untersten Sperrriegel auf der Ihnen zugewandten Seite der Kombineiter auf die gleiche Weise eindrücken, um die Arretierung der übrigen Sprossensegmente zu lösen. Die Kombineiter ist jetzt entriegelt.
- 16 Die Sprossensegmente vorsichtig ineinander schieben.
- 17 Tragegriff wieder befestigen.

WARNUNG! Die Hände nicht auf oder zwischen die Sprossensegmente legen, wenn Sie die Leiter entriegeln und zusammenschieben.

D Reinigung

Aus Sicherheits- und Funktionsgründen ist die Leiter stets sauber zu halten, insbesondere die Teleskopstangen und Sprossensegmente. Schmutz, Späne, Farbspritzer, Klebstoffreste usw. müssen nach jedem Gebrauch vor dem Zusammenschieben der Leiter abgewischt oder abgewaschen werden. Die Reinigung erfolgt mit einem Lappen mit etwas Lösungsmittel.

Nach der Reinigung können die Teleskopstangen mit Silikonspray behandelt werden. Leiter ausziehen, einsprühen und mit Papier oder einem Lappen trocknen. Die Leiter muss immer trocken sein, damit kein Staub daran haften bleibt.

E Transport und Lagerung

Tragen Sie die Kombineiter im kompakten Format an dem losen Tragegriff, der im Lieferumfang enthalten ist. Den Griff einhaken und nach oben zu den Sprossen ziehen, um ein Gleichgewicht beim Tragen zu erhalten.

Die Leiter im kompakten Format stets komplett zusammengeschoben transportieren. So werden die Teleskopstangen gegen Stöße und Schäden gesichert, die die Funktion der Kombineiter beeinträchtigen können. Sie die Leiter beim Transport sorgfältig auf dem Dachgepäckträger oder im Lastwagen, sodass sie nicht beschädigt wird.

Eine Tragetasche für die Kombineiter ist als Zubehör erhältlich.

Kombineiter wie folgt lagern:

- Vollständig zum Kompaktformat zusammengeschoben.
- unter schonenden Bedingungen (nicht zu hohe Feuchtigkeit, Hitze, Nähe zu Heizkörpern etc.),
- ohne Gefahr der Beschädigung durch Fahrzeuge, schwere Gegenstände oder Verschmutzung,
- an einem Ort, an dem die Leiter nicht stört und keine Stolpergefahr darstellt,
- nicht ohne Weiteres für kriminelle Zwecke nutzbar, gern mit Schloss gesichert,
- geschützt vor unbefugter Anwendung (z. B. durch Kinder), falls sie dauerhaft aufgestellt ist (z. B. an einem Baugerüst).

Vor dem Gebrauch

- Der Besitzer der Leiter muss dem Benutzer das Handbuch zur Verfügung stellen.
- Vor der ersten Verwendung nach Lieferung muss überprüft werden, ob die Leiter im guten Zustand ist und alle Teile funktionstüchtig sind.
- Ihr Gesundheitszustand muss die Nutzung der Leiter erlauben. Gewisse Gesundheitszustände, Arzneimittel und Alkohol- oder Drogenmissbrauch können Sicherheitsrisiken verursachen.
- Zur sicheren Nutzung der Leiter muss diese an jedem Einsatztag inspiziert werden, um sicherzustellen, dass keine Beschädigung vorliegt (siehe „Pflege und Wartung“ unten).
- Wenn die Leiter zur Gewerbsarbeit verwendet wird, muss sie regelmäßig inspiziert werden.
- Überprüfen Sie, ob die Leiter für die aktuelle Arbeit geeignet ist.
- Beschädigte Leitern nicht verwenden.
- Verschmutzungen wie feuchte Farbe, Lehm, Öl und Schnee entfernen.
- Vor Nutzung der Leiter ist eine Risikoanalyse durchzuführen, und die Bestimmungen des Landes, in dem sie genutzt wird, müssen beachtet werden.
- Die Leiter darf in einer Umgebungstemperatur von -20 ° C bis 60 ° C eingesetzt und gelagert werden.

Aufstellen

- Vor der Nutzung überprüfen, ob die Leiter ordnungsgemäß eingerastet ist.
- Die Leiter muss korrekt aufgestellt werden, mit einem Neigungswinkel von 70° gegenüber dem Boden bei Einsatz als Stehleiter bzw. von 60–70° bei Verwendung als Anlegeleiter. Die Leitersprossen müssen waagrecht liegen.
- Die Leiter muss standsicher auf einem ebenen, waagerechten und festen Untergrund stehen. Die Leiter darf nicht seitlich geneigt stehen, einen unbelasteten Fuß aufweisen oder auf nicht rutschfestem Grund aufgestellt werden. Als Stehleiter muss sie mit gleichmäßiger Belastung auf allen Füßen stehen.
- Die Anlegeleiter muss gegen eine ebene und feste Fläche gelehnt und vor der Benutzung gesichert werden, beispielsweise durch Festbinden oder eine andere sinnvolle Methode zur Stabilisierung. Die Leiter nicht mit den Sprossen, sondern mit den Seitenrohren

auflegen.

- Die Leiter darf nicht von oben in eine neue Position gebracht werden.
- Berücksichtigen Sie die Gefahr, dass beispielsweise Fußgänger, Autos oder Türen an die Leiter stoßen.
- Alle Gefahren durch elektrischen Strom am Arbeitsplatz identifizieren, beispielsweise Freileitungen und andere ungeschützte Stromvorrichtungen.
- Die Leiter darf nur auf ihren Füßen aufgestellt werden, nicht auf den Sprossen.
- Die Leiter darf nicht auf rutschigem Untergrund aufgestellt werden (z. B. Eis, glatte oder stark verschmutzte Flächen), ohne dass Maßnahmen gegen ein Verrutschen der Leiter vorgenommen werden oder der Untergrund gründlich gereinigt wird.

Gebrauch

- Die Leiter darf mit maximal 150 kg belastet werden.
- Sie dürfen auf die Kombineiter nicht hinaufsteigen bzw. darauf sitzen oder stehen, bevor sie nicht ganz ausgezogen ist (mit oder ohne Beinstütze/Handgriff) und bei der Nutzung als freistehende Stehleiter außerdem mit gestrecktem Band auseinandergeklappt ist. Wenn nicht alle Sprossensegmente arretiert sind, ist die Kombineiter instabil und ihre Benutzung gefährlich.
- Als Anlegeleiter muss die Kombineiter beim Einsatz immer zur vollen Höhe ausgezogen und mit der Rückseite an die Wand/Anlegefläche gelehnt sein. Ein Sprossensegment an der Rückseite der Kombineiter muss immer zusammengeschoben sein, sodass die Leiter mit frei hängendem Rückteil stabil auf den vorderen Füßen steht.
- Bei Verwendung als Anlegeleiter nicht auf die Rückseite der Kombineiter steigen.
- Nicht auf den drei obersten Sprossen stehen, wenn die Kombineiter als Stehleiter mit Beinstütze/Handgriff genutzt wird. Unterhalb des Scharniergelenks stehen.
- Nicht auf den zwei obersten Sprossen stehen, wenn die Kombineiter als Stehleiter ohne Beinstütze/Handgriff genutzt wird. Nicht näher als 600 mm an der obersten Leitersprosse stehen.
- Nicht auf den drei obersten Sprossen einer

- Anlegeleiter stehen.
- Die Kombileiter darf in zusammengeschobenem Zustand nicht als Sitz- oder Tritthocker verwendet werden.
- Die Leiter niemals hängend benutzen.
- Die Leiter nicht auf den Kopf gestellt ausziehen, zusammenschieben oder benutzen.
- Die Leiter nicht in waagerechter Position oder als Brücke benutzen.
- Die Leiter nicht bei Schmutz produzierenden Arbeiten oder in schmutzigen Umgebungen verwenden. Wird die Leiter beispielsweise bei Maurer- oder Betonarbeiten oder beim Malen verwendet, kann sie mit der Zeit schwer zu reinigen sein und die Teleskopfunktion beeinträchtigt werden.
- Die Leiter nicht in wassergefüllten Schächten verwenden, da dadurch Schmutz in die Teleskopstangen eindringen und die Funktion beeinträchtigen kann.
- Die Teleskopstangen vor Stößen schützen und behutsam handhaben, da Schäden an den Stangen die Teleskopfunktion beeinträchtigen.
- Nicht zu weit zur Seite hinausrecken. Während der gesamten Arbeitszeit muss sich die Gürtelschnalle (bzw. der Nabel) des Benutzers innerhalb der Leitenseiten befinden und beide Füße müssen auf der gleichen Leitersprosse stehen.
- Nicht aus größerer Höhe von einer Anlegeleiter hinabsteigen, ohne für zusätzliche Absicherung zu sorgen, beispielsweise durch Festbinden oder eine andere sinnvolle Methode zur Stabilisierung.
- Stehleitern nicht dazu verwenden, um auf eine höhere Ebene zu klettern.
- Leitern sollen nur für kurzfristige, leichtere Arbeiten verwendet werden.
- Für elektrische Arbeiten eine nicht leitende Leiter verwenden.
- Die Leiter bei schlechtem Wetter (z. B. starkem Wind) nicht im Außengelände einsetzen.
- Sorge dafür tragen, dass keine Kinder mit der Leiter spielen.
- Türen (keine Notausgänge) und Fenster am Arbeitsplatz abschließen, falls möglich.
- Beim Hinauf- und Hinabsteigen der Leiter das Gesicht zuwenden.
- Beim Hinauf- und Hinabsteigen gut an der Leiter festhalten.
- Bei der Benutzung der Leiter geeignete Schuhe tragen.

- Arbeiten vermeiden, die zu große seitliche Belastung verursachen, wie z. B. Bohren in Mauerwerk oder Beton.
- Nicht zu lange auf einer Leiter stehen, sondern regelmäßige Pausen einlegen (Müdigkeit ist ein Risikofaktor).
- Eine Anlegeleiter, die zum Erreichen einer höheren Ebene genutzt wird, muss mindestens 1 Meter über den Abstiegsort hinausragen.
- Beim Arbeiten auf der Leiter nur leichte und einfach zu handhabende Ausrüstung verwenden.
- Beim Arbeiten auf der Leiter mit einer Hand festhalten oder andere Sicherheitsvorkehrungen treffen, wenn das nicht möglich ist.

Pflege und Wartung

Ihre Kombileiter ist ein Präzisionswerkzeug. Behandeln Sie die Leiter daher sorgsam, damit sie ihre einzigartigen Eigenschaften behält.

Halten Sie die Leiter stets sauber, besonders die Teleskopstangen.

Die Teleskopleiter darf nicht ohne GummifüÙe (Gleitschutz) und Schutzkappen benutzt werden. Die Schutzkappen verhindern, dass Staub, Bohrspäne o. Ä. in die Teleskopstangen gelangen und so die Funktion der Leiter beeinträchtigen. GummifüÙe und Schutzkappen sind Verschleißteile, die im Fachhandel erhältlich sind. Der Schutz ist auszutauschen, sobald Verschleißerscheinungen auftreten.

Aus Sicherheitsgründen dürfen nur Originalteile verwendet werden. Die Teleskopleiter muss von qualifiziertem Fachpersonal repariert werden. Die Teleskopleiter nicht benutzen, wenn sie repariert werden muss. Wenden Sie sich an Ihren Fachhändler.

ACHTUNG! Bestellen Sie bitte einen neuen Aufkleber, wenn das Hinweisschild an der Leiter abgenutzt und schlecht zu lesen ist. Bestelladresse siehe Rückseite der Gebrauchsanweisung oder wenden Sie sich an Ihren Fachhändler.

Vor der Benutzung überprüfen:

- Die Teleskopstangen sind nicht gebogen, verdreht, verbeult, gerissen oder korrodiert.
- Die Teleskopstangen sind an den Anschlussstellen unbeschädigt.
- Kein Beschlagteil (Nieten, Schrauben usw.) fehlt, ist locker oder korrodiert.

Als Fehler gelten nicht:

- normaler Verschleiß
- normaler Verbrauch von Verschleißteilen.

Reklamation

Voraussetzung für die Inanspruchnahme der Garantie ist die Vorlage der Kaufquittung. Der Käufer muss den Fachhändler über den zu reklamierenden Fehler innerhalb eines angemessenen Zeitraums nach Entdecken des Fehlers informieren bzw. innerhalb der Zeit, die im Einkaufsland vorgeschrieben ist.

Service und Reparatur

Eine eventuelle Wartung oder Reparatur ist stets von einer autorisierten Servicewerkstatt auszuführen, die in jedem einzelnen Fall die geeigneten Maßnahmen festlegt. Bei einer Reparatur müssen immer Originalersatzteile verwendet werden. Bitten Sie Ihren Fachhändler um Informationen über die nächste autorisierte Servicewerkstatt oder entnehmen Sie die Adresse der Rückseite der Gebrauchsanweisung.

- Keine der Sprossen fehlt, ist locker, abgenutzt, korrodiert oder beschädigt.
- Weder GummifüÙe noch Schutzkappen fehlen, sind locker, abgenutzt, korrodiert oder beschädigt.
- Die gesamte Leiter ist sauber (frei von Schmutz, Lehm, Farbe, Öl oder Fett).
- Die Verriegelungsvorrichtungen sind nicht beschädigt oder korrodiert und funktionieren ordnungsgemäß.

WARNUNG! Die Leiter nicht verwenden, wenn oben genannte Fehler entdeckt werden.

GARANTIEBEDINGUNGEN

Der Hersteller garantiert, dass das Produkt frei von Material- und Produktionsfehler ist. Falls Material- oder Produktionsfehler bzw. Schäden, die aufgrund von Material- oder Produktionsfehlern entstanden sind, nachgewiesen werden können, hat der Käufer Anspruch auf Reparatur oder Austausch des Produkts, gemäß den im Einkaufsland geltenden Gesetzen über den Verkauf von Verbrauchsgütern.

Erweiterte Garantie

Der Hersteller übernimmt die Verantwortung für Produktfehler, die innerhalb eines Jahres ab dem ursprünglichen Kaufdatum auftreten.

Umfang

Der Hersteller übernimmt keine Verantwortung für Produktfehler, wenn es sich als wahrscheinlich erweist, dass der Fehler auf einen der folgenden Umstände zurückzuführen ist:

- Das Produkt wurde nicht gemäß der Gebrauchsanweisung benutzt.
- Das Produkt wurde nicht gemäß der Gebrauchsanweisung gereinigt, gepflegt, gewartet, gelagert oder transportiert.
- Das Produkt wurde umgebaut, modifiziert oder durch äußeren Einfluss oder einen Unfall beschädigt.
- Das Produkt wurde unbeabsichtigt durch fremde Gegenstände oder Stoffe beschädigt.
- Das Produkt wurde zu stark belastet.
- Das Produkt wurde von einem nicht zugelassenen Servicepartner repariert oder es wurden andere als die Originalteile verwendet.
- Das Produkt wurde falsch installiert.

Kombistigen er en teleskopisk stige med kombineret funktion som fritstående trappestige med eller uden knæstøtte/håndtag og som anliggende stige. På grund af sin unikke konstruktion kan stigen udvides fra kompakt form til fuld længde.

Kombistigen skal anvendes og vedligeholdes som beskrevet i brugsanvisningen for at bevare sine egenskaber og funktioner.

ADVARSEL! Kombistigen skal altid være ordentligt låst, når den bruges. Kontrollér altid, at alle udtrukne trinsektioner er låst, før du klatrer op på stigen. Husk at kontrollere de nederste låsebøjler, som ikke er synlige ovenfra.

A Brug stigen fritstående

Kombistigen låses automatisk, når den trækkes ud.

Kombistigen skal altid skydes helt ud til fuld længde med eller uden knæstøtte/håndtag. Du må ikke sidde, stå eller gå på kombistigen, hvis den ikke er helt åbnet, og som fritstående trappestige skal være trukket helt ud og låst med sammenskydningslåsen.

Åbn kombistigen:

- 1 Aftag bærehåndtaget.
- 2 Placér kombistigen på et vandret og hårdt underlag. Hold stigesiderne sammen og hold de to nederste trin fast med en fod, når stigen trækkes ud.
- a) **Åbning af trappestige med knæstøtte/håndtag:**
Tag fat længst oppe på stigen og træk den øverste stigesektion helt ud. Fortsæt med de underliggende stigesektioner, og træk dem ud en efter en, indtil kombistigen er trukket helt ud. Kontrollér, at låsebøjlerne falder helt ned.
- b) **Åbning af kombistigen som trappestige:**
Tag fat på siden af det dobbelte stige trin (hængseldelen) neden for knæstøtten/håndtaget og træk begge stigesiders øverste stigesektion helt ud. Fortsæt med at trække stigesektionerne ud en efter en, indtil begge stigesider, med undtagelse af knæstøtten/håndtaget, er trukket helt ud. Kontrollér, at låsebøjlerne falder helt ned.
- 3 Fold kombistigens to dele ud fra hinanden. Båndet skal være helt udstrakt og stigens hældningsvinkel 70°. Fold

sammenskydningspærren mellem de to stigesider ud og fastlås den.

- 4 **Kontrollér, at alle udtrukne stigesektioner er låst:** Låsebøjlerne skal være trukket helt ud. Ved anvendelse uden knæstøtte/håndtag vipper de øverste låsebøjler på de lukkede stigesektioner ikke ud.
- 5 Er det nødvendigt, kan man ruske i stigen, så alle stigesektioner går i lås.
- 6 Når du har kontrolleret, at sammenskydnings-sikringerne og alle stigesektioner er låst, kan du anvende kombistigen som fritstående trappestige.

B Omstilling til anliggende stige

Kombistigen kan også anvendes som almindelig rejst stige. Omstilling af kombistigen til almindelig stige sker som følger:

- 7 Åbn stigen helt, som beskrevet ovenstående (se A Åbning af kombistigen som fritstående trappestige).
- 8 Lås stigesektionerne op på stigens bagside ved at trykke de to nederste låsebøjler ind, en ad gangen.
- 9 Hæld kombistigen fremover. Skyd den nederste stigesektion sammen og fastgør remmen rundt om de to stige trin, så de holdes sammen.
- 10 **Kontrollér, at alle stigesektioner på kombistigens forreste stigeside er låst:** Låsebøjlerne skal være trukket helt ud.
- 11 Anvend kombistigen som almindelig, rejst stige med den bageste sammenskudte stigeside hængende. Rejs stigen med en hældningsvinkel på 65-70°.

ADVARSEL! Den rejste stige skal lægges an mod en glat og fast flade, og den skal sikres før brug, f.eks. ved fastbinding eller stabilisering med en passende anordning.

C Lukning af kombistigen

Kombinationsstigen låses op med de fire låsebøjler nederst, under de næstnederste trin på hver stigeside. Kombistigen slås sammen på følgende måde:

- 12 Rengør om nødvendigt kombistigen (se herunder).
- 13 Slå begge sider af kombistigen sammen. Hvis kombistigen har været anvendt som almindelig

rejst stige, løsnes remmen, som fastholder de to sammenklappede bageste stige trin, først.

- 14 Hold kombistigen oprejst og lad den hælde væk fra dig. Hold i teleskoprørene, ikke i trinnene (klemfare), når du låser stigen op og klapper den sammen.
- 15 Lås stigesektionerne op på stigens bagside ved at trykke de to nederste låsebøjler ind, en ad gangen. Stigesektionerne låses automatisk op. Når låsemekanismen udløses, falder stigen lidt sammen. Tryk de to nederste låsebøjler på den nærmeste side af kombistigen ind på samme måde for at låse resten af stigesektionerne op. Kombistigen er nu låst op.
- 16 Skyd stigesektionerne forsigtigt sammen.
- 17 Sæt bærehåndtaget på igen.

ADVARSEL! Hold ikke hænderne på eller mellem stigesektionerne, når du skyder stigen ud og sammen.

D Rengøring

Af sikkerheds- og funktionsmæssige årsager skal stigen altid holdes ren, dette gælder specielt for teleskoprør og trin. Snavs, savsmuld, stænk af maling, lim og lignende skal vaskes af eller tørres væk efter hver anvendelse af stigen, inden den skydes sammen. Gør stigen ren med en fugtet klud tilsat lidt opløsningsmiddel. Efter rengøring kan man behandle teleskoprørene med silikonespray. Spray silikonen på rørene og tør efter med papir eller en klud. Stigen skal altid være tør, så den ikke binder støv.

E Transport og opbevaring

Bær kombistigen i kompakt form i det løse bærehåndtag, der følger med stigen. Hægt bærehåndtaget på, og træk det op mod trinene, indtil det ikke kan komme længere, så du opnår ligevægt.

Transportér altid kombistigen i helt sammenslået og kompakt form. Det beskytter teleskoprørene mod stød og skader, som kan forringe kombistigens funktion. Ved transport på tagbroer eller på lastbillad skal stigen fastspændes, så den ikke tager skade.

Der fås en bæretaske til kombistigen som tilbehør.

Kombistigen skal opbevares

- helt sammenskudt og låst
- under forhold, som ikke slider på den (f.eks. fugt, varme, ved radiatorer)
- så den ikke kan beskadiges/ødelægges af kværetøjer, tunge genstande eller forurening
- hvor den ikke står i vejen og man kan falde over den
- så den ikke uden videre kan anvendes i kriminelt øjemed (den bør være fastlåst)
- sikret mod utilsigtet anvendelse (f.eks. af børn), hvis den anvendes permanent (f.eks. ved byggestilladser).

Før anvendelse

- Stigens ejer skal sørge for, at brugeren har adgang til håndbogen.
- Før stigen tages i brug første gang, skal man kontrollere, at den er i god stand og at alle dele fungerer, som de skal.
- Din helbredstilstand skal tillade, at du kan anvende stigen. Visse helbredstilstande, medicin og alkohol- eller narkotikamisbrug, kan medføre sikkerhedsrisiko.
- For at stigen skal være sikker at anvende, skal den hver dag ved arbejdsdagens begyndelse kontrolleres for evt. skader (se vedligeholdelse herunder).
- Anvendes stigen professionelt, skal den kontrolleres med regelmæssige mellemrum.
- Kontrollér, at stigen kan anvendes til det aktuelle arbejde.
- Anvend ikke en beskadiget stige.
- Fjern snavs som f.eks. våd maling, ler, olie og sne.
- Inden stigen anvendes, skal evt. risici overvejes (risikoanalyse). Nationale sikkerhedsregler skal overholdes.
- Stigen kan anvendes og opbevares i omgivende lufttemperaturer på mellem -20° C og +60° C.

Placering

- Kontrollér, at stigen er korrekt låst, inden du anvender den.
- Stigen skal placeres korrekt, med en hældningsvinkel på 70° i forhold til underlaget, hvis den anvendes som trappestige, eller 60-70° hvis den anvendes som rejst stige.

- Stigetrinnene skal ligge vandret.
- Stigen skal stå stabilt på et jævnt, vandret og fast underlag. Stigen må ikke hælde til siden, kun stå på det ene ben eller rejses på et glat underlag. Som trappestige skal den være ens belastet på alle fire fødder.
- Den rejste stige skal lægges an mod en plan og fast flade, og den skal sikres før brug, f.eks. ved fastbinding eller stabilisering med en passende anordning. Støt stigen mod rørene - ikke mod trinnene.
- Stigen må ikke flyttes til en ny placering oppefra.
- Vær opmærksom på risikoen for, at f.eks. fodgængere, biler eller døre kan støde ind i stigen.
- Fastlæg alle el-risici på arbejdsstedet som luftledninger og andet ubeskyttet el.
- Stigen skal stå på benene og må ikke hvile på et eller flere trin.
- Stigen må ikke stilles på et glat underlag (f.eks. is, blanke eller kraftigt snavsede flader), hvis der ikke sørges for, at den ikke kan skride. Alternativt skal underlaget gøres ordentlig rent.

Anvendelse

- Stigen må maksimalt belastes med 150 kg.
- Du må ikke sidde, stå eller gå op på kombistigen, medmindre den er helt åbnet med eller uden knæstøtte/håndtag, og som fritstående trappestige desuden udfoldet med båndet strakt. Hvis nogle trinsektioner ikke er slået helt ud og låst, bliver kombistigen ustabil og farlig at bruge.
- Når du anvender kombistigen som anlægsstige, skal den altid trækkes helt ud, og bagsiden skal pege ind mod væggen/anlægsfladen. En trinsektion på bagsiden af kombistigen skal altid være slået sammen, så stigen står stabilt på de forreste fødder med den bageste del frit hængende.
- Du må ikke gå op på kombistigens bagside, når du anvender den som anlægsstige.
- Stå ikke på de tre øverste stigetrin, når kombistigen anvendes som trappestige med knæstøtte/håndtag. Stå under hængseldelen.
- Stå ikke på de to øverste stigetrin, når kombistigen anvendes som trappestige uden knæstøtte/håndtag. Stå ikke nærmere end 60 cm fra stigens øverste trin.
- Stå ikke på de tre øverste trin på en rejst stige.

- Kombistigen må ikke bruges som sidde- eller ståpalle i sammenklappet tilstand.
- Stigen må ikke anvendes hængende.
- Stigen må ikke anvendes, skydes ud eller skydes sammen, hvis den står med undersiden opad.
- Stigen må ikke anvendes liggende eller som bro.
- Anvend ikke stigen til snavset arbejde eller i snavsede omgivelser. Hvis stigen f.eks. anvendes til murearbejde, betonarbejde eller malerarbejde, kan den med tiden blive svær at rengøre, og teleskopfunktionen kan fungere dårligt.
- Anvend ikke stigen i vandfyldte brønde, det kan medføre, at der trænger snavs ind i teleskoprørene, hvilket vanskeliggør funktionen.
- Udsæt ikke teleskoprørene for slag eller anden hårdhændet behandling. Skader på rørene nedsætter teleskopfunktionen.
- Stræk dig ikke for langt ud til siden. Under arbejde på stigen skal brugerens bæltespænde (midje) holdes inden for stigens ben og begge fødder hele tiden stå på det samme trin
- Kryb ikke af en rejst stige i højden, uden at stigen er faldsikret, f.eks. bundet fast eller fastlåst/fastspændt med en passende, stabiliserende anordning.
- Anvend ikke trappestiger til at kravle op på et højere niveau (f.eks. stillads).
- Stiger er kun beregnet til lettere arbejde i kortere tid.
- Anvend en ikke elektrisk ledende stige ved arbejde med el.
- Anvend ikke stigen udendørs i dårligt vejr, f.eks. i stærk vind.
- Sørg for, at børn ikke leger med stigen.
- Lås døre (ikke nødudgange) og vinduer på arbejdsstedet, hvis dette er muligt.
- Når du klatrer op og ned ad stigen, skal ansigtet være vendt mod stigen.
- Hold ordentligt fast i stigen, når du klatrer op og ned.
- Anvend egnede sko, når du anvender stigen.
- Undgå at arbejde med for stor sideværts belastning under boring i mur eller beton.
- Stå ikke i længere perioder på en stige uden regelmæssige pauser (træthed er en risiko).
- En rejst stige, som anvendes til at komme op på et højere niveau, skal stikke mindst 1 meter op over afstigningsniveauet.
- Anvend kun let og lethåndterligt udstyr, når du

arbejder på stigen.

- Hold fast med en hånd når du arbejder på stigen, eller tag de nødvendige forholdsregler, hvis dette ikke er muligt.

Pleje og vedligeholdelse

Kombistigen er et præcisionsværktøj. Stigen skal behandles med forsigtighed, så den beholder sine unikke egenskaber.

Hold altid kombistigen ren, især teleskoprørene.

Kombistigen må ikke anvendes uden gum-mifødder (glidebeskyttelse) og topbeskyttelse. Topbeskyttelsen forhindrer, at støv, boresmuld eller lignende kommer ind i teleskoprørene og nedsætter stigens funktion. Stigens gummifødder og topbeskyttelse er sliddele, som kan fås som reservedele hos forhandleren. Udskift disse, når de bliver slidt.

Teleskopstigen skal repareres af en kvalificeret reparatør. Anvend ikke teleskopstigen, hvis den skal repareres, kontakt forhandleren.

NB! Bestil et anvisningsmærkat, hvis mærkatet på stigen begynder at blive slidt og svært at læse. Se adressen på brugsanvisningens bagside eller kontakt din lokale forhandler.

Kontrollér før brug at:

- teleskoprørene ikke er bøjede, vredne, bulede, tærede eller har revner
- teleskoprørene er hele ved samlingerne
- beslag (nitter, skruer etc.) ikke mangler, sidder løst eller er tærede
- stigetrinnene ikke mangler, er løse, nedslidte, tærede eller på anden måde beskadigede
- gummifødder og topbeskyttelse ikke mangler, er løse, nedslidte, tærede eller beskadigede
- hele stigen er ren (ingen snavs, ler, maling, olie eller fedt)
- låseanordningerne ikke er beskadigede eller tærede, og at de fungerer som de skal.

ADVARSEL! Anvend ikke stigen, hvis du konstaterer en af ovenstående fejl.

GARANTIBETINGELSER

Producenten garanterer, at produktet er uden materiale- og produktionsfejl. Hvis der kan påvises materiale- eller produktionsfejl eller skader, som er opstået på grund af materiale- eller produktionsfejl, har køber ret til at få produktet repareret eller ombyttet iht. Købeloven.

Udvidet garanti

Producenten påtager sig ansvaret for fejl på produktet, som opstår under det første år regnet fra den oprindelige købsdato.

Omfang

Producenten påtager sig ikke ansvar for fejl på produktet, hvis det kan sandsynliggøres, at fejlen skyldes, at det

- ikke har været anvendt på den måde, der er beskrevet i brugsanvisningen
- ikke har været rengjort, passet, vedligeholdt, opbevaret eller transporteret iht. brugsanvisningen
- er bygget om, modificeret eller påført anden ydre skade eller uheld
- er uagtsomt beskadiget af fremmede genstande eller stoffer
- har været overbelastet
- er repareret af uautoriseret servicepartner, eller hvis der er anvendt andre reservedele end originale reservedele
- er opsat forkert.

Som fejl betragtes ikke

- normal slitage
- slid på sliddele, der fås som reservedele

Reklamation

For at garantien skal gælde, skal købskvittering kunne fremvises. Køberen skal underrette sælger om fejl, som han/hun vil reklamere over, inden for rimelig tid efter at fejlen er konstateret, eller inden for den periode, der er angivet i Købeloven.

Service og reparation

Eventuel service eller reparation skal altid udføres af et autoriseret serviceværksted, som i hvert enkelt tilfælde skal foretage en bedømmelse af passende afhjælpning af fejlen. Ved reparation skal der altid anvendes originale reservedele. Kontakt din forhandler for at få at vide, hvor det nærmeste autoriserede serviceværksted findes. Adressen kan også findes på brugsanvisningens bagside.

Kombiredel on teleskoopredel, mida saab kasutada vabalt seisva harkredelina kas põlvetoe ja/või käepidemega või ilma ning tavalise najaredelina. Unikaalne konstruktsioon võimaldab seda kompaktselt kokku panna ja lahti võtta.

Redeli töökorras hoidmiseks tuleb seda käsitseda ja hooldada vastavalt käesoleva kasutusjuhendi juhistele.

ETTEVAATUST! Kasutamise ajal peavad kombiredeli osad olema alati korralikult paigale lukustunud. Kontrollige alati enne redelile astumist, et kõik väljatõmmatud redeliosad on paigale lukustunud. Ärge unustage kontrollida alumisi lukustusriive, mis pole ülaltpoolt nähtavad.

EE

A Kombiredeli lahtivõtmine vabalt seisvaks harkredeliks

Kombiredel lukustub lahti tõmmates automaatselt.

Kombiredel tuleb alati täielikult lahti võtta, täispikkuses ja kas põlvetoe/käepidemega või ilma. Kombiredelile ei tohi istuda, astuda ega sellel seista, enne kui see on täispikkuses lahti võetud või vabalt seisva harkredelina kasutades täiesti lahti ning lukustushoovaga kinnitatud.

Kombiredeli lahtivõtmine:

- Eemaldage kandekäepide.
- Asetage kombiredel kõvale horisontaalsele alusele. Võtke korraga kinni mõlemast redelipoolest ja hoidke redeli avamise ajal ühe jalaga kinni mõlemat alumist astet, et need paigalt ei liiguks.
- Põlvetoe/käepidemega harkredeli avamine:** Haarake ülemisest astmest ja tõmmake ülemine redeliosa täielikult välja. Tõmmake redeliosad üksteise järel välja, kuni kombiredel on täispikkuses lahti. Kontrollige, et lukustussakid langevad tervenisti alla.
- Harkredeli avamine:** Võtke kahekordsest (hingega) astmest altpoolt põlvetoe/käepidet külgedelt kinni ja tõmmake mõlemad redelipooleid täielikult välja. Jätke redeliosade väljatõmbamist seni, kuni mõlemad redelipooleid on peale põlvetoe/käepidet täies pikkuses välja tõmmatud. Kontrollige, et lukustussakid langevad tervenisti alla.
- Lükake kombiredeli kaks poolt lahti. Rihm peab olema pingul ning redeli kaldenurk 70°.

Tõmmake lahti lukustushoob kahe redelipoole vahel ning pange see lukustusasendisse.

- Kontrollige, et kõik väljatõmmatud redeliosad on lukustunud:** lukustussakid peavad olema täielikult välja tulnud. Kui kasutate redelit ilma põlvetoe/käepidemeta, ei tule kõige ülemine lukustussakk suletud astmeosa juures välja.
- Vajadusel reguleerige redelit, kuni kõik redeliosad on paigale lukustunud.
- Kui olete veendunud, et lukustushoob on suletud asendis ja kõik redeliosad on paigale lukustunud, võite kombiredelit kasutada vabalt seisva harkredelina.

B Najaredeliks ümber seadmine

Kombiredelit saab kasutada ka najaredelina. Seadke kombiredel harkredelist najaredeliks ümber järgmiselt:

- Võtke redel lahti, nagu ülal kirjeldatud (vt A Kombiredeli lahtivõtmine vabalt seisvaks harkredeliks).
- Vabastage tagumised redeliosad lukust, vajutades ükshaaval sisse kaks alumist lukustussakki.
- Toetage kombiredel toe najale. Vajutage alumine redeliosa kokku ja kinnitage kaks astet rihmaga tugevalt kokku.
- Kontrollige, et kõik kombiredeli eesmised redeliosad on lukustunud:** lukustussakid peavad olema täielikult välja tulnud.
- Seejärel saate kombiredelit kasutada najaredelina, mille osaliselt kokkupandud tagumine pool jääb rippuma. Asetage redel 65–70-kraadise nurga alla.

HOIATUS! Najaredel tuleb enne kasutamist nõjatada vastu siledat ja kindlat pinda ja selle asend kindlustada nt kinnisidumise või muu stabiilsuse tagamiseks sobiva võtte abil.

C Kombiredeli kokkupanemine

Kombiredeli kokkupanemiseks vabastage iga redeliosa neli lukustusriivi, mis asuvad alt teise astme alaküljel. Kombiredeli kokkupanemiseks toimige järgnevalt:

- Vajadusel puhastage redel (vt allpool).

- Lükake kombiredeli kaks poolt kokku. Kui kombiredelit kasutatakse najaredelina, vabastage esmalt rihm, mis hoiab koos kaht alumist kokkupandavat astet.
- Hoidke kombiredelit püsti ja toetage endast veidi eemale. Hoidke kombiredelit teleskooptorust, mitte astmetest, et käed vahele ei jääks, kui redeliosi lukust lahti võtate ja kokku panete.
- Vabastage esmalt endast kõige kaugemal asuvad astmeosad lukust, vajutades üksteise järel kaks alumist lukustussakki sisse. Astmeosad vabanevad automaatselt lukust. Lukustuse mehhanismi vabanemist märkate sellele, et astmed vajuvad pisut allapoole. Ülejäänud redeliosade lukust vabastamiseks vajutage samal viisil endale lähemal asuva redelipoole mõlemad lukustussakid sisse. Kombiredel on nüüd lukust vabastatud.
- Lükake redeliosad ettevaatlikult alla üksteise sisse kokku.
- Pange kandekäepide tagasi.

HOIATUS! Ärge pange käsi redelit lahti võttes ja kokku pannes redeliosade peale või vahele.

D Puhastamine

Kombiredeli ohutuse ja töökorra tagamiseks tuleb seda hoida puhtana, eriti tähtis on teleskooptorude ja redelipulkade puhtus. Pärast iga kasutuskorda puhastage redel enne kokkupanemist mustusest, laastudest, värvipritsetest, liimist ja muust. Puhastage redelit lahustis niisutatud lapiga. Pärast puhastamist võib teleskooptorusid töödelda silikoonpühustiga. Pühustage silikooni torule ja pühkige see paberi või lapiga kuivaks. Hoidke redel alati kuiva ja tolmust puhtana.

E Transport ja hoiustamine

Kandke kombiredelit alati kokkupandult ja kasutage kandmiseks selleks ettenähtud käepidet. Kombiredel püsib kandes hästi tasakaalus, kui seate käepideme paigale ja tõmbate selle kuni astmeteni üles.

Transportige kombiredelit alati vaid täiesti kokkupandult. Selline asend kaitseb teleskooptorusid lõhkide ja kahjustuste eest, mis võivad muuta kombiredeli kasutuskõlbmatuks. Paigutage redel transportimisel korralikult kas katuserestile või veokisse, et see ei saaks viga.

Kombiredeli transportkott on saadaval lisavarustusena.

Kombiredelit tuleb säilitada

- täiesti suletult kompaktses olekus
- tingimustel, mis seda ei kahjusta (nt niiskus, kuumus, küttekehade lähedus)
- nii, et seda ei kahjustataks sõidukid, rasked esemed ega mustus
- kus ta pole ees ega põhjusta komistusohtu
- nii, et seda ei oleks võimalik kasutada kriminaalsetel eesmärkidel (soovitavalt lukustatult)
- kaitsult ebakohase kasutamise, nt laste eest, kui redel on paigaldatud püsivalt (nt tellingutes).

Enne kasutamist

- Redeli omanik peab tagama, et kasutajal on ligipääs redeli kasutusjuhendile.
- Enne esimest kasutuskorda pärast redeli ostmist tuleb kontrollida, et redel on heas korras ja kõik selle osad töötavad.
- Kasutage redelit vaid siis, kui teie tervislik seisund seda lubab. Teatud terviserikked, ravimid, alkoholi ja narkootikumide kuritarvitamine võivad tekitada ohutusriske.
- Redeli ohutuks kasutamiseks tuleb see üle vaadata igal tööpäeval, mil seda kasutatakse, veendumaks kahjustuste puudumises. Vt „Hooldus ja korrashoid“ allpool.
- Kui redelit kasutatakse tööalaselt, tuleb seda üle vaadata regulaarselt.
- Kontrollige, et redel sobib konkreetseteks tööülesanneteks.
- Ärge kasutage kahjustatud redelit.
- Eemaldage mustus, nt kuivamata värv, pori, õli ja lumi.
- Enne redeli kasutamist tööle tuleb teha riskianalüüs ning arvestada kasutamisiirgiga kehtivate määrustega.
- Redelit tohib kasutada ja säilitada õhutemperatuuril -20 kuni 60° C.

Paigaldamine

- Enne redeli kasutamist veenduge, et see on korralikult lukustatud.
- Redel tuleb paigaldada õigesti, selle kaldenurk peab olema 70 kraadi maast, kui seda kasutatakse harkredelina, ning 60–70 kraadi, kui seda kasutatakse najaredelina. Astmed peavad olema horisontaalsed.

- Redel peab kindlalt seisma tasasel, horisontaalsel ja tugeval pinnal. Redel ei tohi olla kaldus ja selle üks jalg ei tohi olla koormuseta või maha toetamata. Harkredeli kõik jalad peavad olema ühtlaselt koormatud.
- Najaredel tuleb enne kasutamist nõjatada vastu siledat ja kindlat pinda ning kindlustada, näiteks kinnisidumise või muude sobivate võtete rakendamise teel. Redel peab toetuma jalgadele, mitte redelipulkadele.
- Redelit ei tohi uude kohta liigutada ülevaltpoolt tõeses.
- Arvestage võimalusega, et nt jalakäijad, autod või ukсед pörkavad vastu redelit.
- Tuvastage kõik töötamiskoha ohud, nt õhukaablid ja teised varjestamata elektriinstallatsioonid.
- Redel peab toetuma jalgadele, mitte redelipulkadele.
- Redelit ei tohi paigaldada libedale pinnale (nt jää, läikiv põrand või tugevalt määrdunud põrand), juhul kui ei võeta kasutusele meetmeid redeli libisemise vastu või kui toetuspinda ei puhastata.

Kasutamine

- Redeli maksimaalne kandevõime on 150 kg.
- Kombiredelile ei tohi istuda, astuda ega sellel seista enne, kui see on koos põlvetoel/käepidemega või ka ilma täispikkuses lahti võetud, vabalt seisva harkredelina kasutades peab eraldusrihm olema täies ulatuses lahti tõmmatud. Kui kõik astmeosad ei ole lukustunud, on kombiredel ebastabiilne ja selle kasutamine on ohtlik.
- Najaredelina kasutades peab kombiredel alati olema täispikkuses lahti võetud ja toetatud tagaküljega vastu seina või muud tuge. Kombiredeli tagumine pool peab olema kokku pandud nii, et redel toetub tugevalt esipoole jalgadele ja tagapool on rippu.
- Najaredelina kasutades ei tohi selle tagapoolle astuda ega toetuda.
- Ärge seiske kolmel kõige ülemisel redeliastmel, kui kombiredelit kasutatakse harkredelina, millel on põlvetoel/käepide. Seiske allpool hingesid.
- Ärge seiske kahel kõige ülemisel redeliastmel, kui kombiredelit kasutatakse harkredelina, millel pole põlvetoel/käepidet. Ärge seiske ülemisele astmele lähemal kui 600 mm.

- Ärge seiske püstise redeli kolmel viimasel redeliastmel.
- Kokkupandud kombiredelile ei tohi istuda ega astuda.
- Redelit ei tohi kasutada rippredelina.
- Redelit ei tohi tagurpidi lahti võtta, kokku panna ega kasutada.
- Redelit ei tohi kasutada rõhtsas asendis ega sillana.
- Ärge kasutage redelit tolmu või määriiva töö tegemiseks ega tolmu keskkonnas. Kui kasutate redelit näiteks müüritöödel, betooni- või maalritöödel, võib ajapikku olla aina raskem seda puhtana hoida ja see võib kahjustada teleskoopitorude töökorda.
- Ärge kasutage redelit näiteks veega täidetud kaevus, kuna siis võib mustus tungida teleskoopitorudesse ja muuta need kasutuskõlbmatuks.
- Hoidke teleskoopitorusid löökide ja muu hoolimatult käsitsemise eest. Torude kahjustuste korral ei saa teleskoopredelit kokku panna ja lahti võtta.
- Ärge kallutage redelil seistes kaugele küljele. Kasutaja vööpinnal (naba) peab kogu töötamise ajal jääma redeli külglattide vahele ning mõlemad jalad peavad asuma ühel ja samal redelipulgal.
- Ärge ronige püstise redeli kõrgemasse tippu ilma turvameetmeteta, nt redeli kinnisidumise või sobiva stabiliseerimisvõtteta.
- Ärge kasutage harkredelit kõrgemale tasandile ronimiseks.
- Redelit tohib kasutada kergemateks töödeks ja lühikese aja vältel.
- Ärge kasutage elektritöödeks elektrit juhtivat redelit.
- Ärge kasutage redelit õues halva ilma, nt tugeva tuule korral.
- Vaadake, et lapsed redeliga ei mängiks.
- Vajadusel lukustage töökohas ukсед (v.a avariiväljapääsud) ja aknad.
- Ronige redelil üles ja alla, hoides pilku redelil.
- Redelil liikudes hoidke korralikult kinni.
- Redelit kasutades pange jalga sobivad jalanõud.
- Vältige suure külgkoormusega töid, nt telliskiviseina või betooni puurimine.
- Ärge seiske pikalt redelil ilma regulaarselt pause tegemata (väsimus on riskifaktor).
- Najaredel, mille abil ronitakse kõrgemale tasandile, peab ulatuma kõrgemast tasandist

vähemalt 1 m võrra kõrgemale.

- Redelil töötades kasutage üksnes kerget ja kergesti kasutatavat varustust.
- Redelil töötades hoidke ühe käega kinni; kui see pole võimalik, rakendage muid ohutusmeetmeid.

Hooldus ja korrashoid

Kombiredel on täppistööriist. Hea hooldus aitab hoida selle ainulaadseid omadusi töökorras.

Hoidke kombiredel alati puhtas, eriti selle teleskoopitorud.

Kombiredelit ei tohi kunagi kasutada ilma jalgade kummiotsikuteta (libisemisvastane kaitse) ja otsakorkideta. Otsakorgid väldivad tolmu ja muu mustuse sattumist teleskoopitorudesse, mis võib muuta redeli kasutuskõlbmatuks. Redeli jalgade kummiotsikud ja otsakorgid võivad kuluda, varuosi saab edasimüüjatelt. Vahetage kulunud korgid välja.

Teleskoopredelit tohib parandada vaid kvalifitseeritud remonditehnik. Kui teleskoopredel vajab parandust, siis ärge kasutage seda, vaid võtke ühendust edasimüüjaga

NB! Kui redeli märgistused hakkavad ära kuluma ja muutuvad raskesti loetavaks, tellige uued juhistekleebised. Tellimisaadressi leiata kasutusjuhendi tagaküljelt, võite võtta ühendust ka kohaliku edasimüüjaga.

Enne kasutamist kontrollige, et:

- teleskoopitorud ei ole paindunud, väärdunud, mõlksid, mõranenud ega korrodeerunud
- liitmikud ei ole teleskoopitorude küljest lahti tulnud
- kinnitused (needid, kruvid jne) on olemas, istuvad vabalt ning on korrosioonivabad
- redelipulki ei ole puudu, nad pole lahti, kulunud, korrodeerunud ega muul moel kahjustatud
- kummijalased ja otsakorgid ei ole puudu, et nad pole lahti, kulunud, korrodeerunud ega muul moel kahjustatud
- redel on puhas (pole mustust, pori, värvi, õli ega rasva)
- lukustused pole kahjustatud ega korrodeerunud ning töötavad nagu vaja.

HOIATUS! Ärge kasutage redelit, kui avastate puudusi ülalkirjeldatud tingimustes.

GARANTIINGIMUSED

Tootja garanteerib, et sellel tootel ei esine materjali- ega tootmisvigu. Kui ilmnevad materjali- või tootmisvead või materjali- või tootmisvigadest põhjustatud kahjustused, on ostjal õigus nõuda toote parandamist või vahetamist vastavalt osturiigis kehtivatele tarbekaupade müümist reguleerivatele seadustele.

Laiendatud garantii

Tootja vastutab toote vigade eest, mis ilmnevad ühe aasta jooksul alates esimesest ostukuupäevast.

Garantii ulatus

Tootja ei vastuta toote defektide eest, mis on ilmselt tingitud järgnevast:

- toodet ei kasutatud vastavalt käesoleva kasutusjuhendi juhisteile;
 - redelit pole puhastatud, hooldatud, teenindatud, säilitatud või transporditud vastavalt kasutusjuhendile
 - toodet on muudetud, ümber ehitatud või hoolimatult käsitsetud või on sellega juhtunud õnnetus
 - tahtmatu kahjustus tundmatute objektide või ainetega
 - liigne koormus
 - remont volitamata teenindajate poolt või mitte-originaalvaruosade kasutamine
 - ebaõige paigaldus.
- Garantii ei hõlma:
- normaalset kulumist;
 - normaalset kulumisest tingitud osade vahetamist.

Pretensioonid

Garantii rakendamiseks tuleb esitada ostutšek. Ostja peab edasimüüjat teavitama ilmnenud vigadest mõistliku aja jooksul pärast vea tekkimist või osturiigis määratletud aja jooksul.

Hooldus ja remont

Toote hooldust ja remonti tohib teha vaid volitatud hoolduskeskuses, kus otsustatakse, milline on antud juhul kõige sobiv lahendus. Parandamisel kasutatakse alati originaalvaruosi. Lähima volitatud hoolduskeskuse asukohta kohta saate teavet toote müüjalt või kasutusjuhendi tagaküljelt.

INSTRUCCIONES DE USO

Esta **escalera combinada** es una escalera telescópica que ofrece la doble función de uso como escalera de tijera con o sin soporte de rodillas/asa, y como escalera de un tramo apoyada. Tiene un diseño único expansible desde un formato compacto a plena altura.

Para mantener las propiedades y el funcionamiento óptimo hay que emplearla, cuidarla y mantenerla según se describe en las instrucciones de uso.

¡RIESGO! La escalera combinada debe estar siempre bien bloqueada para usarla. Compruebe siempre que todas las secciones extendidas están bloqueadas antes de subirse en ella. No olvide controlar las fijaciones inferiores que no son visibles desde arriba.

ES

A Abrir como escalera combinada de tijera

La escalera combi queda automáticamente bloqueada al abrirla.

La escalera combinada siempre deberá extenderse completamente, hasta toda su altura, con o sin soporte de rodillas/asa. No está permitido sentarse, permanecer de pie o subir en ella si no se hubiera desplegado y abierto completamente, y como escalera de tijera está también totalmente desplegada y bloqueada con los topes de cerramiento.

Abrir la escalera combi:

- Quite el asa de transporte.
- Coloque la escalera en posición horizontal sobre una superficie dura. Mantenga juntos los lados de la escalera y retenga los dos peldaños inferiores con un pie al desplegar la escalera.
 - Como escalera de tijera con soporte de rodillas/asa:**
Sujete la parte superior de la escalera y extienda completamente la sección superior. Continúe desplegando las secciones de cada peldaño, una a una, hasta que la escalera quede completamente extendida. Compruebe que los estribos de bloqueo bajan completamente.
 - Como escalera de tijera:**
Sujete los lados del peldaño doble (articulación de bisagra) debajo del soporte de rodillas/asa y extienda completamente la sección superior de ambos lados de la escalera. Continúe desplegando las secciones de la escalera una

a una hasta que ambos lados, a excepción del soporte de rodillas/asa, estén completamente extendidos. Compruebe que los estribos de bloqueo bajan completamente.

- Extienda ambos lados de la escalera combi. La cinta deberá estar totalmente extendida y el ángulo de inclinación de la escalera deberá ser de 70°. Extienda los topes de cerramiento entre ambos lados de la escalera y engánchelo.
- Compruebe que todas las secciones desplegadas de la escalera están bloqueadas:** los estribos de bloqueo deberán estar totalmente extendidos. Al utilizarla sin soporte de rodillas/asa, los estribos de bloqueo superiores de las secciones cerradas de la escalera no se extienden.
- Si es necesario, ajuste la escalera para que todas las secciones de la misma queden en posición bloqueada.
- Podrá usar la escalera combi como escalera de tijera cuando haya comprobado que el tope de cerramiento está enganchado y todas las secciones desplegadas estén en posición bloqueada.

B Como escalera de apoyo

La escalera combi también se puede utilizar como escalera de apoyo. Para convertir la escalera combi en escalera de apoyo:

- Extienda la escalera completamente tal como se ha descrito antes (vea A Abrir como escalera combinada de tijera).
- Desbloquee las secciones de los peldaños de la parte posterior de la escalera oprimiendo los dos estribos de bloqueo, uno por vez.
- Incline la escalera combinada hacia adelante. Contraiga la sección de escalera inferior y sujete la correa alrededor de los dos peldaños para que se mantengan juntos.
- Compruebe que todas las secciones delanteras de la escalera combinada estén bloqueadas:** los estribos de bloqueo deberán estar totalmente extendidos.
- Utilícela como escalera de apoyo manteniendo suspendida la sección trasera contraída. Coloque la escalera en un ángulo de inclinación de 65-70°.

¡ADVERTENCIA! Deberá reposar la escalera de apoyo contra una superficie lisa y firme y asegurarla antes de utilizarla, p.ej. atándola o estabilizándola con ayuda de un equipamiento apropiado que asegure la estabilidad.

C Plegado

La escalera combinada se desbloquea con las fijaciones inferiores situadas debajo de los penúltimos peldaños de cada lado. Procedimiento para plegar la escalera:

- Limpie la escalera si fuera necesario (vea abajo).
- Pliegue ambos lados de la escalera. Si la escalera combi ha sido utilizada como escalera de apoyo, primero deberá soltar la correa que sujeta los dos peldaños traseros comprimidos.
- Mantenga erguida la escalera combi e inclínala un poco separándola de usted. Sujétela por los tubos telescópicos, y no por los peldaños, para no pellizcarse al desbloquearla y cerrarla.
- Primero desbloquee las secciones de los peldaños más lejanos a usted oprimiendo los dos estribos de bloqueo, uno por vez. Las secciones de la escalera se desbloquearán automáticamente. Notará que el mecanismo de bloqueo se libera al ver que la escalera se repliega un poco. Oprima e introduzca los dos estribos de bloqueo interiores del lado situado más cerca de usted, del mismo modo, para desbloquear el resto de las secciones de peldaños. La escalera combi está ahora desbloqueada.
- Introduzca con cuidado unas secciones dentro de otras.
- Monte nuevamente el asa de transporte.

¡ADVERTENCIA! No mantenga las manos sobre las secciones de escalera que desbloquee y comprima, o entre ellas.

INSTRUCCIONES DE USO

D Limpieza

Por motivos de seguridad y funcionamiento, la escalera debe mantenerse siempre limpia, en especial los tubos telescópicos y los peldaños de las secciones. Lave o limpie la suciedad, virutas, manchas de pintura, cola, etcétera, después de cada uso antes de plegar la escalera. Limpie la escalera con un paño humedecido con un poco de disolvente. Después de la limpieza, los tubos telescópicos se pueden rociar con aerosol de silicona. Rocíe los tubos y séquelos con papel absorbente o un paño. La escalera debe estar siempre seca para que no se le adhiera polvo.

E Transporte y conservación

Lleve la escalera en formato compacto, sosteniéndola por el asa suelta que se incluye en la entrega. Enganche el asa de transporte y arrástrala hasta el tope superior contra los peldaños para equilibrar el peso al transportar la escalera.

Transporte siempre la escalera combinada totalmente plegada en formato compacto. Así se protegen los tubos telescópicos contra golpes y daños que pueden perjudicar el funcionamiento de la escalera. Coloque la escalera bien fijada al transportarla en una baca de vehículo o en un camión, para que no se dañe.

Hay disponible una bolsa de transporte de la escalera, como accesorio opcional.

La escalera combi deberá ser guardada

- totalmente cerrada, en forma compacta
- en condiciones que no la desgasten (p.ej. humedad, calor, junto a un radiador)
- de forma que no pueda ser dañada por vehículos, objetos pesados o suciedad
- donde no estorbe o constituya riesgo de tropiezo
- de forma que no resulte fácilmente accesible para motivos criminales, mejor si la inmoviliza con un candado
- asegurada contra usos inapropiados (p.ej. por niños) si está erguida de forma permanente (p.ej. junto a andamios).

Antes de su uso

- El propietario de la escalera deberá asegurarse de que el usuario tenga acceso al manual.
- Antes del primer uso, después de la entrega, deberá usted comprobar que la escalera está en buen estado y que todas sus partes funcionan.

- Su estado de salud deberá permitirle utilizar la escalera. Ciertos estados de salud, medicinas, consumo de alcohol o drogas, pueden conllevar un riesgo para la seguridad.
- Para un uso seguro de la escalera, ésta deberá ser inspeccionada visualmente al principio de cada jornada de trabajo en la que vaya a ser utilizada, para asegurarse de que no tiene daños y que resulta segura, véase "Cuidado y mantenimiento" más abajo.
- Si la escalera se utiliza de forma profesional, deberá ser inspeccionada con regularidad.
- Compruebe que la escalera resulta adecuada para el trabajo a realizar.
- No utilice una escalera dañada.
- Elimine la suciedad tal como pintura húmeda, barro, grasa y nieve.
- Antes de que la escalera se utilice en un trabajo, deberá realizarse un análisis de riesgos y tener en consideración las normativas del país en el que se está utilizando.
- La escalera se puede utilizar y conservar en temperaturas ambiente de -20° C a 60° C.

Colocación

- Compruebe que la escalera está correctamente bloqueada antes de utilizarla.
- La escalera deberá ser colocada correctamente, con un ángulo de inclinación de 70° con respecto al suelo si se utiliza como escalera de tijera o 60-70° si se utiliza como escalera de apoyo. Los peldaños deberán estar horizontales.
- La escalera deberá colocarse de forma estable sobre una superficie lisa, horizontal y firme. La escalera no debe quedar inclinada lateralmente, tener un pie sin carga ni colocarse sobre una superficie resbaladiza. Como escalera de tijera deberá colocarse con la carga uniforme sobre todas sus patas.
- La escalera de apoyo deberá apoyarse contra una superficie lisa y firme y asegurarse antes de utilizarla, p.ej. atándola o estabilizándola con ayuda de un equipamiento apropiado. No apoye la escalera contra los peldaños sino contra los tubos.
- La escalera no debe desplazarse a una nueva posición tirando desde arriba.
- Tenga en cuenta el riesgo de que p.ej. peatones, coches o puertas se puedan chocar con la escalera.
- Identifique todos los riesgos eléctricos del

- puesto de trabajo, como los conductos de aire y otro equipamiento eléctrico sin protección.
- La escalera debe colocarse sobre sus patas, no sobre los peldaños.
- La escalera no debe colocarse sobre superficies resbaladizas (p.ej. hielo, superficie pulida o superficie considerablemente sucia), si no se toman medidas para que la escalera no se deslice, o se limpia concienzudamente la superficie.

Empleo

- No está permitido cargarla con un peso superior a 150 kg.
- No está permitido sentarse, permanecer de pie ni subir en la escalera combinada si ésta no se halla completamente extendida o sin soporte de rodillas/asa, y además como escalera de tijera, si no se halla completamente abierta y con la correa extendida. Si no están bloqueadas todas las secciones, la escalera es inestable y peligrosa de utilizar.
- Como escalera de un tramo apoyada, la escalera combinada se debe usar siempre desplegada a su altura total e inclinada con la parte trasera apoyada en una pared o soporte. Una sección de la parte trasera debe estar siempre plegada para que la escalera esté firme en los pies delanteros y con la parte trasera colgando libre.
- No suba en la parte trasera de la escalera combinada cuando se utilice como escalera de un tramo apoyada.
- No se pare en los tres peldaños superiores cuando la escalera se utilice como escalera de tijera con soporte de rodillas/asa. Párese bajo la articulación de bisagra.
- No se pare en los dos peldaños superiores cuando la escalera se utilice como escalera de tijera sin soporte de rodillas/asa. No se pare a menos de 600 mm del peldaño superior de la escalera.
- No permanezca de pie sobre los tres peldaños superiores en una escalera de apoyo.
- No se debe usar la escalera plegada como asiento o para subirse en ella.
- La escalera no se debe usar colgada.
- La escalera no se debe desplegar, plegar ni usar vuelta hacia abajo.
- La escalera no se debe usar en posición horizontal o como puente.
- No la utilice en trabajos ni entornos sucios. Por ejemplo, si se usa la escalera para trabajos de

albañilería, hormigón o pintura, con el tiempo puede ser difícil limpiarla y empeora la función telescópica.

- No utilice la escalera en pozos con agua ya que podría penetrar suciedad en los tubos telescópicos y dificultar el funcionamiento.
- No esponga los tubos telescópicos a golpes ni a ningún otro tipo de tratamiento duro. No los dañe en los tubos empeoran la función telescópica.
- No se estire demasiado hacia un costado. El cinturón de seguridad (ombligo) del usuario deberá ir por el interior de los costados de la escalera y ambos pies en el mismo peldaño durante toda la duración del trabajo.
- No se baje de una escalera de apoyo a cierta altura sin utilizar mecanismos adicionales de seguridad, como atar la escalera o usar un equipo estabilizador apropiado.
- No utilice las escaleras de tijera para subirse a un nivel más elevado.
- Las escaleras solo se deben usar para trabajos ligeros durante corto tiempo.
- No use una escalera conductora para realizar trabajos eléctricos.
- No use la escalera al exterior en caso de mal tiempo, p.ej. viento fuerte.
- Asegúrese de que los niños no juegan con la escalera.
- Cierre con llave las puertas (no las salidas de emergencia) y las ventanas del lugar de trabajo, de ser posible.
- Suba y baje por la escalera mirándola de frente.
- Sujétese bien a la escalera al subir y bajar por ella.
- Utilice un calzado adecuado al usar la escalera.
- Evite trabajos con excesiva carga lateral, p.ej. perforar un muro o cemento.
- No permanezca durante largo tiempo en una escalera, sin tomarse descansos con regularidad (el cansancio es un riesgo).
- La escalera de apoyo que se haya usado para subir a un nivel superior debe disponer de al menos 1 metro por encima del punto de acceso.
- Use solamente material ligero y fácil de manejar al trabajar en la escalera.
- Sujétese con una mano al trabajar en la escalera, o tome otras medidas de seguridad si no puede hacerlo.

Cuidado y mantenimiento

La escalera combinada es una herramienta de precisión. Trátela con cuidado para que conserve sus propiedades exclusivas.

Mantenga siempre limpia la escalera, en especial los tubos telescópicos.

La escalera no se debe usar sin los pies de goma (protección antideslizante) y la protección superior. La protección superior impide que el polvo, virutas de taladrar o similar penetren en los tubos telescópicos y provoquen anomalías en el funcionamiento. Las patas de goma y la protección superior de la escalera son piezas de desgaste que suministra el distribuidor. Cambie las protecciones cuando empiecen a estar gastadas.

La escalera telescópica debe ser reparada por un reparador cualificado. No utilice la escalera telescópica si ésta precisa de reparación, póngase en contacto con el distribuidor.

¡Atención! Pida un nuevo adhesivo con las instrucciones si el colocado en la escalera empezara a estar desgastado y fuera difícil de leer. Vea la dirección en el reverso de las instrucciones de uso o póngase en contacto con su distribuidor local.

Antes del uso, compruebe que

- los tubos telescópicos no están doblados, retorcidos, abollados, rajados o corroídos
- los tubos telescópicos tienen los extremos intactos
- no falta ningún herraje (remaches, tornillos, etc.), ni están flojos ni corroídos
- no faltan peldaños, ni están sueltos, desgastados, corroídos o dañados
- no faltan las patas de goma y protección superior, ni están sueltas, desgastadas, corroídas o dañadas
- toda la escalera está limpia (sin suciedad, barro, pintura, aceite o grasa)
- los mecanismos de bloqueo no están dañados ni corroídos y funcionan como deben.

¡ADVERTENCIA! No utilice la escalera si usted descubre alguno de los problemas antes mencionados.

CONDICIONES DE GARANTÍA

El fabricante garantiza que el producto está libre de defectos de materiales y fabricación. Si se comprueban defectos de materiales o fabricación, o daños producidos por defectos en materiales o fabricación, el comprador tiene derecho a que se le repare el producto o se le cambie según las leyes de venta de artículos de consumo válidas en el país de compra.

Extensión de la garantía

El fabricante se hace responsable de fallos en el producto que se produzcan durante el primer año a partir del día de la compra.

Extensión

- El fabricante no responde de defectos si es probable que el fallo se deba a que el producto
- no ha sido utilizado de la forma descrita en las instrucciones de uso
 - no ha sido limpiado, cuidado, mantenido, conservado o transportado según las condiciones de uso
 - ha sido reformado, modificado o sometido a daños exteriores de otro tipo o accidente
 - ha sido dañado intencionadamente con objetos o materiales ajenos
 - ha sido sobrecargado
 - ha sido reparado por un técnico no autorizado o se han utilizado piezas de recambio que no eran las originales
 - ha sido instalado de forma equivocada

No se consideran como defectos

- el desgaste normal
- el desgaste normal de las piezas sujetas a desgaste.

Reclamación

Para que la garantía sea válida, se deberá presentar el ticket de compra. El comprador deberá indicar al distribuidor los defectos que él/ella quiere reclamar, dentro de un período razonable después de detectar el defecto, o dentro del plazo prescrito por la ley en el país de compra.

Servicio y reparación

Los eventuales trabajos de servicio o reparación debe hacerlos siempre un taller de servicio autorizado, el cual en cada caso particular evaluará las medidas adecuadas. En el caso de reparación, siempre deberán utilizarse piezas de recambio originales. Póngase en contacto con el distribuidor para averiguar dónde se encuentra el taller de servicio autorizado más cercano, o consulte la dirección en el reverso de las instrucciones de uso.

ES

Yhdistelmätikkaita voidaan käyttää joko nojatikkaina tai vapaasti seisovina tikkaina polvituen/kahvan kanssa tai ilman sitä. Ainutlaatuisen rakenteensa ansiosta ne voidaan laajentaa lyhyistä tikkaista täyteen pituuteen. Tikkaiden ominaisuuksien ja toimivuuden säilyttämiseksi on tärkeää, että niitä käytetään, hoidetaan ja huolletaan käyttöohjeissa kuvatulla tavalla.

VAROITUS! Yhdistelmätikkaiden tulee olla aina kunnolla lukittuneena, kun niitä käytetään. Tarkasta aina, että kaikki avatut tikasosat ovat lukittuneena, ennen kuin kiipeät tikkailla. Muista tarkastaa alimmat lukkosalvat, jotka eivät näy ylhäältä päin.

A Yhdistelmätikkaiden avaaminen vapaastiseisoviksi tikkaiksi

Yhdistelmätikkaat lukittuvat avattaessa automaattisesti.

Yhdistelmätikkaat tulee avata aina kokonaan täyteen pituuteensa, käytettiinpä polvitukea/kahvaa tai ei. Yhdistelmätikkailla ei saa istua eikä ole avattu kokonaan tai jos niitä ei ole vapaasti seisovina tikkaina käytettäessä avattu täyteen pituuteensa ja lukittu lukitussalvalla.

Yhdistelmätikkaiden avaaminen:

- 1 Irrota kantokahva.
- 2 Sijoita yhdistelmätikkaat vaakasuoralle ja kovalle alustalle. Pidä tikkaista yhdessä ja paina jalalla molempien tikkaiden alimpia poikkipuita alas vetäessäsi tikkaista ylöspäin.
 - a) **Avaaminen kahvalla/porrastuella tuetuiksi porrastikkaiksi:**
Tartu kädellä tikkaiden yläpäähän ja vedä tikkaiden yläosa kokonaan ylös. Avaa sen jälkeen yksi tikasosa kerrallaan, kunnes yhdistelmätikkaat on avattu kokonaan. Tarkasta, että lukkosangat työntyvät kokonaan ulos.
 - b) **Avaaminen porrastikkaiksi:**
Tartu kaksoispoikkipuuhun (sarananivel) molemmilta puolilta polvituen/kahvan alapuolelta ja vedä molempien tikkaiden yläosat kokonaan ylös. Jatka tikasosien avaamista yksi kerrallaan, kunnes molemmat

tikkaat ovat täydessä pituudessaan (polvitukea/kahvaa lukuun ottamatta). Tarkasta, että lukkosangat työntyvät kokonaan ulos.

- 3 Levitä yhdistelmätikkaiden molemmat puolet auki. Välihihnan on oltava ihan suorana ja tikkaiden kallistuskulman tulee olla 70°. Taita tikkaiden välissä oleva lukitussalpa auki ja lukitse se paikalleen.
- 4 **Tarkasta, että kaikki avatut tikasosat ovat lukittuneet:** lukkosankojen tulee olla kokonaan ulostyöntyneinä. Kun tikkaista käytetään ilman polvitukea/kahvaa, suljettujen tikasosien ylimmät lukkosangat eivät työnnöy ulos.
- 5 Liikuttele tikkaista tarvittaessa, niin että kaikki tikasosat lukittuvat.
- 6 Kun olet tarkistanut, että lukitussalpa on lukittu paikalleen ja kaikki tikasosat ovat lukittuneet, voit käyttää yhdistelmätikkaita vapaasti seisovina porrastikkaina.

B Muuntaminen nojatikkaiksi FI

Yhdistelmätikkaita voidaan käyttää myös nojatikkaina. Yhdistelmätikkaat muunnetaan nojatikkaiksi seuraavasti:

- 7 Avaa tikkaat yllä kuvatulla tavalla (katso A Yhdistelmätikkaiden avaaminen vapaasti seisoviksi tikkaiksi).
- 8 Vapauta tikkaiden takapuolella olevat tikasosat painamalla kaksi alinta lukkosankaa sisään yksi kerrallaan.
- 9 Kallista yhdistelmätikkaita eteenpäin. Työnnä tikkaiden alin osa kasaan ja kiinnitä poikkipuut hihnalla yhteen.
- 10 **Tarkasta, että kaikki yhdistelmätikkaiden etupuolella olevat tikasosat ovat lukittuneet:** lukkosankojen tulee olla kokonaan ulostyöntyneinä.
- 11 Anna takimmaisten kokoon työnnettujen tikkaiden riippua vapaasti käyttäessäsi yhdistelmätikkaita nojatikkaina. Aseta tikkaat 65–70° kulmaan.

VAROITUS! Nojatikkaina käytettäessä tikkaiden tulee nojata sileää ja tukevaa pintaa vasten ja ne tulee varmistaa ennen käyttöä esimerkiksi sitomalla ne kiinni tai tukemalla ne sopivalla rakennelmalla.

C Yhdistelmätikkaiden kasaaminen

- Yhdistelmätikkaiden lukitus vapautetaan avaamalla molempien tikkaiden toiseksi alimmaisten poikkipuiden alla olevat neljä lukkohakaa. Yhdistelmätikkaiden kasaaminen:
- 12 Puhdista yhdistelmätikkaat tarvittaessa (katso alla).
 - 13 Taita yhdistelmätikkaiden molemmat puolet yhteen. Jos yhdistelmätikkaita on käytetty nojatikkaina, irrota ensin kahden yhteen työnnetyn taemman poikkipuun kiinnitykseen käytetty hihna.
 - 14 Pidä yhdistelmätikkaita pystyssä ja kallista niitä hieman itsestäsi pois päin. Pidä kiinni teleskooppiputkia äläkä poikkipuista, etteivät sormesi jää puristuksiin tikkaiden väliin, kun avaat niiden lukituksen ja taitat ne kasaan.
 - 15 Vapauta ensin itsestäsi kauimpana olevat tikasosat painamalla kaksi alinta lukkosankaa sisään yksi kerrallaan. Tikasosat vapautuvat automaattisesti. Lukkomekanismin lauetessa tikkaat painuvat hieman kasaan. Paina sinua lähinnä olevien tikkaiden alimmat lukkosangat sisään ja vapauta muut tikasosat samalla tavalla. Yhdistelmätikkaiden lukitus on nyt avattu.
 - 16 Työnnä tikasosat varovasti toistensa sisään.
 - 17 Aseta kantokahva takaisin paikalleen.

VAROITUS! Älä pidä käsiä tikasosien päällä tai välissä avatessasi lukituksia ja kasatessasi tikkaita.

D Puhdistus

Turvallisuus- ja toiminnallisuussyistä tikkaat on aina pidettävä puhtaana, tämä koskee erityisesti tikkaiden teleskooppiputkia ja poikkipuita. Kaikki lika, puru, roiskunut maali, liima ja vastaavat epäpuhtaudet on pestävä tai pyyhittävä pois joka kerta ennen tikkaiden kasaamista. Puhdista tikkaat liinalla, jossa on vähän liuotainetta. Puhdistuksen jälkeen tikkaat voidaan käsitellä silikonispraylla seuraavasti: suihkuta putket ja kuivaa ne kuivaksi paperilla tai liinalla. Tikkaiden on oltava aina kuivat, etteivät ne vedä puoleensa pölyä.

D Kuljetus ja säilytys

Kanna yhdistelmätikkaita kasattuna, mukana tulevan irrallisen kantokahvan avulla. Kiinnitä kantokahva ja siirrä sitä poikkipuita kohden tasapainon saavuttamiseksi kantamisen aikana.

Kuljeta yhdistelmätikkaita aina täysin kasattuna, tiiviissä paketissa. Näin suojaat teleskooppiputkia iskuilta ja vaurioilta, jotka voivat heikentää yhdistelmätikkaiden toimintaa. Kiinnitä tikkaat kuljetettaessa tukevasti kattotelineeseen tai kuorma-auton lavalle, jotta ne eivät vahingoitu.

Lisätarvikkeena on saatavana myös yhdistelmätikkaiden kantolaukku.

Yhdistelmätikkaita tulee säilyttää

- kokoonaitettuina
- olosuhteissa, jotka eivät kuluta tikkaita (ei esim. kosteassa tai kuumassa tilassa tai lämpöpattereiden lähellä)
- siten, etteivät ajoneuvot, raskaat esineet tai saasteet pääse vaurioittamaan niitä
- paikassa, jossa ne eivät ole tiellä tai jossa niihin ei voi kompastua
- siten, ettei niitä voi käyttää rikollisiin tarkoituksiin, mieluiten lukittuina paikalleen
- siten, etteivät asiaankuulumattomat henkilöt (esim. lapset) pääse käyttämään niitä, jos ne ovat pystyssä jatkuvasti (esim. rakennustelineen vieressä)

Ennen käyttöä

- Tikkaiden omistajan on huolehdittava siitä, että käyttöohje on tikkaiden käyttäjän saatavilla.
- Tarkasta ennen tikkaiden ensimmäistä käyttöä, että ne ovat hyväkuntoiset ja että kaikki osat toimivat moitteettomasti.
- Terveydentilasi on oltava sellainen, että pystyt käyttämään tikkaita. Jotkut terveydentilat, lääkkeet tai alkoholin tai huumeiden väärinkäyttö voivat aiheuttaa turvallisuusriskin.
- Turvallisen käytön varmistamiseksi tikkaiden kunto on tarkastettava joka työpäivä, katso kohta "Hoito ja huolto" alla.
- Jos tikkaat ovat ammattikäytössä, ne on tarkastettava säännöllisesti.
- Tarkasta, että tikkaat sopivat käyttötarkoitukseensa.
- Älä käytä vahingoittuneita tikkaita.
- Puhdista tikkaista lika, kuten kostea maali, savi, öljy ja lumi.

- Ennen tikkaiden käyttöä on tehtävä riskianalyysi ja otettava huomioon paikalliset säännökset.
- Tikkaita saa käyttää ja säilyttää $-20 - +60^{\circ}\text{C}$:een lämpötiloissa.

Sijoitus

- Tarkasta ennen tikkaiden käyttöä, että osat ovat kunnolla lukittuneet.
 - Tikkaat on sijoitettava 70° kallistuskulmaan maahan nähden, jos niitä käytetään porrastikkaina, ja $60-70^{\circ}$ kulmaan, jos niitä käytetään nojatikkaina. Poikkipuiden on oltava vaakasuorassa.
 - Tikkaiden on seisottava tukevasti tasaisella, vaakasuoralla ja kiinteällä alustalla. Tikkaat eivät saa olla kallellaan sivusuunnassa, paino ei saa olla vain toisen jalan varassa eikä alusta saa olla liukas. Porrastikkaina käytettäessä tikkaiden painon on jakauduttava tasaisesti kaikille jaloille.
 - Nojatikkaina käytettäessä tikkaiden tulee nojata sileää ja tukevaa pintaa vasten ja ne tulee varmistaa ennen käyttöä esimerkiksi sitomalla ne kiinni tai tukemalla ne sopivalla rakennelmalla. Älä aseta tikkaita nojaamaan poikkipuiden vaan teleskooppiputkien varaan.
 - Tikkaita ei saa siirtää toiseen paikkaan ylhäältä käsin.
 - Varmista, etteivät jalankulkijat, autot tai avattavat ovet törmää tikkaisiin.
 - Tarkasta aina työpaikan mahdolliset sähköriskit, kuten ilmajohdot ja muut suojaamattomat sähkölaitteet.
 - Tikkaat on asetettava jalkojensa, ei poikkipuiden, varaan.
 - Tikkaita ei saa asettaa liukkaalle alustalle (esim. jäälle tai kiiltävälle tai erittäin likaiselle pinnalle), jos tikkaiden liukumattomuutta ei varmisteta tai alustaa puhdisteta ensin huolellisesti.
- täyteen korkeuteen avattuna ja takaosa seinää/ tukea vasten kallistettuna. Yhdistelmätikkaiden takaosan yhden tikasosan tulee aina olla kokoontyönnettynä niin, että tikkaat seisovat tukevasti etummaisten jalkojen varassa ja takaosa riippuu vapaasti.
- Takaosaa pitkin ei saa kivetä silloin, kun yhdistelmätikkaita käytetään nojaavina tikkaina.
 - Yhdistelmätikkaiden kolmella ylimmällä poikkipuulla ei saa seisoa, kun niitä käytetään porrastikkaina polvituen/kahvan kanssa. Seiso sen sijaan saranaosan alapuolella.
 - Yhdistelmätikkaiden kahdella ylimmällä poikkipuulla ei saa seisoa, kun niitä käytetään porrastikkaina ilman polvitukea/kahvaa. Seiso sen sijaan vähintään 600 mm:n päässä ylimmästä poikkipuusta.
 - Nojatikkaiden kolmella ylimmällä poikkipuulla ei saa seisoa.
 - Yhdistelmätikkaita ei saa käyttää kasattuna istuin- tai seisontatasona.
 - Tikkaita ei saa käyttää polvistettuina.
 - Tikkaita ei saa avata, kasata tai käyttää ylösalaisin käännettynä.
 - Tikkaita ei saa käyttää vaakasuorassa asennossa tai siltana.
 - Älä käytä tikkaita likaisissa töissä tai likaisissa ympäristöissä. Jos tikkaita käytetään esimerkiksi muurauksessa, betonitöissä tai maalauksessa, niiden puhdistaminen voi ajan myötä olla vaikeaa ja tikkaiden toimivuus voi heikentyä.
 - Älä käytä tikkaita veden täyttämässä kaivoissa, koska teleskooppiputkien sisään voi silloin tunkeutua likaa, mikä heikentää tikkaiden toimivuutta.
 - Teleskooppiputkia tulee suojata iskuilta ja muilta kovilta otteilta. Vioittuneet putket heikentävät teleskooppitoimintaa.
 - Älä kurotaudu liian pitkälle sivulle seisoessasi tikkailla. Käyttäjän vyönsoljen (navan) tulee olla työn aikana koko ajan tikkaiden laitojen sisäpuolella ja molempien jalkojen samalla poikkipuulla.
 - Älä astu pois nojatikkaiden ylimmiltä poikkipuilta, jos tikkaita ei ole varmistettu esimerkiksi sitomalla ne kiinni tai käyttämällä muuta sopivaa tukirakennelmaa.
 - Älä käytä porrastikkaita korkeammalle tasolle kiipeämiseen.
 - Tikkaita tulee käyttää vain kevyempiin töihin

Käyttö

- Tikkaiden enimmäiskuormitus on 150 kg.
- Yhdistelmätikkailla ei saa istua eikä seistä eikä niille saa kivetä, jos niitä ei ole avattu kokonaan (joko polvituen/kahvan kanssa tai ilman) ja jos välihihna ei ole vapaasti seisovissa tikkaissa ihan suorana. Jos kaikki tikasosat eivät ole lukittuneina, yhdistelmätikkaat ovat epävakaat ja käytössä vaaralliset.
- Nojaavina tikkaina tikkaiden on aina oltava

lyhyen aikaa kerrallaan.

- Älä käytä sähköä johtavia tikkaita sähkötoissa.
- Älä käytä tikkaita ulkona huonolla säällä, esim. kovalla tuulella.
- Älä anna lasten leikkiä tikkailla.
- Lukitse työpaikan ovet (ei hätäuloskäyntejä) ja ikkunat, jos mahdollista.
- Kiipeä tikkailla ja niillä alas kasvot tikkaisiin päin.
- Pidä kiivetessäsi tukevasti kiinni tikkaista.
- Käytä tikkaiden kanssa sopivia kenkiä.
- Vältä töitä, joissa kuormitus sivulle on suuri, esim. muurin tai betonin poraamista.
- Älä seiso tikkailla pitkiä aikoja vaan pidä välillä taukoja (väsymys on riskitekijä).
- Jos nojatikkaita käytetään kiipeämiseen korkeammalle tasolle, tikkaiden yläpäähän on ulotettava vähintään 1 metrin sen tason yläpuolelle, jossa tikkailta nouseaan pois.
- Käytä vain kevyitä ja helppokäyttöisiä varusteita työskennellessäsi tikkailla.
- Pidä tikkaista kiinni toisella kädellä työskennellessäsi niillä, tai jos se ei ole mahdollista, käytä muita turvatoimia.

FI

Hoito ja huolto

Yhdistelmätikkaat ovat tarkkuustuote. Käsittelet tikkaita huolellisesti niin, että niiden ainutlaatuiset ominaisuudet säilyvät.

Pidä yhdistelmätikkaat aina puhtaina, erityisesti sen teleskooppiputket.

Yhdistelmätikkaita ei saa käyttää ilman kumitassuja (liukusuojia) ja päätysuojia. Päätysuojat estävät pölyn, porauslastujen ja vastaavien joutumisen teleskooppiputkiin heikentämään tikkaiden toimivuutta. Tikkaiden kumitassut ja päätysuojat ovat kuluvia osia, joita on saatavana jälleenmyyjiltä. Vaihda suojat, kun ne alkavat olla kuluneita.

Teleskooppitikkaat saa korjata vain valtuutettu korjaaja. Älä käytä teleskooppitikkaita, jos ne ovat korjauksen tarpeessa. Ota tällöin yhteys jälleenmyyjään.

HUOM! Jos tikkaiden ohjetarra alkaa olla kulunut ja vaikealukuinen, tilaa sen tilalle uusi tarra. Katso osoite käyttöohjeen takasivulta tai ota yhteys paikalliseen jälleenmyyjääsi.

Tarkasta ennen käyttöä, että

- teleskooppiputket eivät ole taipuneita, vääntyneitä, lommoisia tai kuluneita
- teleskooppiputkien liitokset ovat ehjät
- kiinnikkeitä (niittejä, ruuveja jne.) ei puutu eivätkä ne ole irrallaan tai kuluneita
- poikkipuita ei puutu eivätkä ne ole irrallaan, kuluneita tai vahingoittuneita
- kumitassuja ja päätysuojia ei puutu eivätkä ne ole irrallaan, kuluneita tai vahingoittuneita
- tikkaat ovat puhtaat (ei likaa, savea, maalia, öljyä tai rasvaa)
- lukituslaitteet eivät ole vahingoittuneita tai kuluneita ja toimivat kunnolla.

VAROITUS! Älä käytä tikkaita, jos havaitset niissä yllä mainittuja puutteita.

TAKUUEHDOT

Valmistaja myöntää tälle tuotteelle materiaali- ja valmistusviat kattavan takuun. Jos tuotteesta voidaan osoittaa olevan materiaali- tai valmistusvika tai tällaisesta viasta johtuva muu vaurio, ostajalla on oikeus saada tuote korjattua tai vaihdettua uuteen ostomaassa voimassa olevan kuluttajansuojalain mukaan.

Laajennettu takuu

Valmistaja vastaa virheistä, joita tuotteesta ilmenee vuoden kuluessa alkuperäisestä ostopäivästä.

Kattavuus

Valmistaja ei kuitenkaan vastaa sellaisista vioista, joiden voidaan katsoa johtuneen siitä että:

- tuotetta ei ole käytetty käyttöohjeessa kuvatulla tavalla
 - tuotetta ei ole hoidettu, huollettu, säilytetty tai kuljetettu käyttöohjeessa kuvatulla tavalla
 - tuotteeseen on tehty muutoksia tai sitä on vaurioitettu ulkoisesti joko tahallaan tai vahingossa
 - tuotetta on vaurioitettu tahattomasti vierailta esineillä tai aineilla
 - tuotetta on ylikuormitettu
 - tuote on jätetty epäpätevän huoltoliikkeen korjattavaksi tai siinä on käytetty muita kuin alkuperäisiä varaosia
 - tuote on asennettu virheellisesti.
- Virheeksi ei katsota:
- normaalia kulumista
 - normaalia kuluvien osien menekkiä.

Reklamaatio

Takuun voimassaolo edellyttää ostokuitin esittämistä. Ostajan on ilmoitettava jälleenmyyjälle virheestä, jonka hän haluaa reklamoida, kohtuullisen ajan kuluessa virheen havaitsemisesta tai ostomaan lainsäädännössä ilmoitetun ajan sisällä.

Huolto ja korjaus

Mahdolliset huolto- ja korjaustoimenpiteet tulee aina antaa valtuutetun huoltoliikkeen tehtäväksi, joka päättää tarvittavista toimenpiteistä kussakin tapauksessa erikseen. Korjauksissa saa käyttää vain alkuperäisiä varaosia. Lähimmän valtuutetun huoltoliikkeen saat tietää jälleenmyyjältäsi tai käyttöohjeen takasivulta.

FI

L'échelle combi est une échelle télescopique qui réunit la fonction d'escabeau avec ou sans support pour genou/poignée ou celle d'échelle simple. Grâce à sa conception unique, elle peut être étirée d'un format compact à sa hauteur totale.

Afin d'assurer et de maintenir le bon fonctionnement de l'échelle combi, il est essentiel qu'elle soit utilisée et entretenue conformément au mode d'emploi.

ATTENTION ! L'échelle combi doit toujours être correctement verrouillée avant d'être utilisée. Contrôlez toujours que toutes les sections de barreaux sont verrouillées avant de monter sur l'échelle. N'oubliez pas de contrôler les crochets de verrouillage les plus bas qui ne se voient pas du dessus.

A Ouvrir l'échelle combi comme un escabeau

L'échelle combi est automatiquement verrouillée une fois ouverte.

L'échelle combi doit toujours être entièrement ouverte, à sa hauteur totale, avec ou sans support pour genou/poignée. Vous ne devez pas vous asseoir, vous tenir debout sur, ou marcher, sur l'échelle combi si elle n'est pas entièrement déployée ; de même, lorsqu'elle est utilisée comme échelle simple elle devra être entièrement déployée et verrouillée avec les serrures à coulisseau.

Ouvrir l'échelle combi :

- 1 Retirer la poignée de transport.
- 2 Placer l'échelle combi sur une base horizontale et ferme. Maintenez les deux plans de l'échelle réunis tout en immobilisant les deux marches les plus basses avec un pied lorsque vous ouvrez l'échelle.
- a) **Ouvrir en position échelle simple avec support pour genou/poignée :**
Saisissez le sommet de l'échelle et tirez la section la plus haute sur toute sa longueur. Continuer à tirer une après l'autre les sections de l'échelle jusqu'à ce que l'échelle combi soit complètement ouverte. Vérifier que les étriers de verrouillage tombent en place sur toute leur course.
- b) **Ouvrir en échelle simple :**
Saisissez les côtés de la double marche (joint articulé) sous le support pour genou/poignée

et tirez les deux côtés de la marche de la section la plus haute sur toute la longueur. Continuer ainsi jusqu'à ce que toutes les sections sauf le support pour genou/poignée soient ouvertes. Vérifier que les étriers de verrouillage tombent en place sur toute leur course.

- 3 Déployer les deux côtés de l'échelle combi. La sangle devra être complètement tendue et l'angle d'inclinaison de l'échelle sera de 70°. Actionner le verrou à coulisseau sur les deux côtés de la marche et le verrouiller en place.
- 4 **Contrôlez que toutes les sections de marches ouvertes sont verrouillées :** Les étriers de verrouillage doivent être entièrement déployés. En cas d'utilisation sans les supports genoux/poignées, les étriers de verrouillage les plus élevés, au niveau des sections d'échelles fermées, ne seront pas abaissés.
- 5 Si nécessaire, tirer brusquement sur l'échelle pour que toutes les sections de l'échelle soient en position verrouillée.
- 6 Ce n'est qu'après avoir contrôlé que tous les verrous à coulisseau sont verrouillés et que toutes les sections de l'échelle aussi sont verrouillées en place, que l'échelle combi pourra être utilisé comme échelle simple.

B Transformer en échelle simple

L'échelle combi peut également être utilisée comme échelle simple. Faites comme suit pour installer l'échelle combi comme échelle simple :

- 7 Ouvrir l'échelle décrit plus haut (Voir A Ouvrir l'échelle combi en position échelle simple).
- 8 Libérer les marches à l'arrière de l'échelle en poussant les étriers de verrouillage les plus bas, un à la fois.
- 9 Inclinez l'échelle combinée vers l'avant. Escamotez la section la plus basse et attachez la courroie autour des deux marches de sorte à les réunir fermement.
- 10 **Contrôlez que toutes les sections du plan avant de l'échelle combinée sont verrouillées.** Les étriers de verrouillage doivent être entièrement déployés.
- 11 Utilisez l'échelle combinée comme échelle simple en laissant suspendue la partie arrière repliée. Placer l'échelle de manière à ce que son angle d'inclinaison soit 65 à 70°.

ATTENTION ! L'échelle appuyée contre le mur doit reposer contre une surface ferme et unie et sera assurée en place, soit en la liant en place soit à l'aide d'un dispositif qui en assure la stabilité.

C Fermer l'échelle combi

Les quatre étriers de verrouillage, tout en bas, sous l'avant-dernière marche de chaque plan de l'échelle, devront être ouverts pour replier l'échelle combi. Pour fermer l'échelle combi :

- 12 S'il y a lieu, nettoyer l'échelle combi (voir ci-dessous).
- 13 Repliez les deux plans de l'échelle combi. Si l'échelle combi est utilisée comme échelle simple, libérer d'abord la courroie qui joint les deux marches arrières
- 14 Maintenir l'échelle combi droite et l'incliner à quelque distance de vous. Maintenir les tubes télescopiques, pas les barreaux, afin de ne pas être pincé lorsque les marches sont ouvertes et fermées.
- 15 Libérer d'abord les marches à l'arrière de l'échelle en poussant les deux étriers de verrouillage les plus bas, un à la fois. Les sections de l'échelle sont automatiquement libérées. Vous constatez que le mécanisme de verrouillage est libéré du fait que les barreaux s'affaissent quelque peu. Poussez les deux étriers de verrouillage les plus bas, sur le plan de l'échelle le plus proche de vous ; procédez de même pour libérer les autres sections de l'échelle. L'échelle combi est à présent libérée.
- 16 Pousser à présent, prudemment, de sorte à ce que les sections s'escamotent.
- 17 Replacer la poignée de transport.

AVERTISSEMENT Ne placez pas vos mains sur ou entre les sections lors du déverrouillage et de la fermeture de celles-ci.

D Nettoyage

Pour des raisons de sécurité et de bon fonctionnement, l'échelle doit toujours être maintenue propre, avec une attention spéciale pour le tube télescopique et les barreaux. Les saletés, copeaux, éclaboussures de peinture, colle, etc. doivent être lavées et supprimées après chaque utilisation de l'échelle et avant de fermer celle-ci. Nettoyer l'échelle avec un chiffon et un peu de dissolvant. Après nettoyage, vous pouvez traiter

le tube télescopique avec un atomiseur de silicone. Vaporiser les tubes et les sécher avec du papier ou un chiffon. L'échelle doit toujours être sèche pour ne pas agglomérer la poussière.

E Transport et emmagasinement

Transportez l'échelle combi dans le format compact avec la poignée de transport séparée fournie avec l'échelle. Accrochez la poignée de transport et tirez-la le plus haut possible vers les marches pour une bonne répartition du poids quand vous portez l'échelle.

Transportez toujours l'échelle combi complètement fermée dans le format compact. Les tubes télescopiques sont ainsi protégés contre les chocs et les dommages qui pourraient nuire au fonctionnement de l'échelle combi. Arrimer bien l'échelle sur la galerie ou sur votre camion afin qu'elle ne soit pas endommagée.

Un sac de transport de l'échelle combi est disponible comme accessoire.

L'échelle combi sera rangée

- entièrement fermée et en format compact
- en des conditions qui ne causent pas une usure excessive (par exemple humidité, chaleur, près d'un radiateur)
- de sorte qu'elle ne puisse pas être endommagée par un véhicule, des objets lourds ou des impuretés
- où elle ne constitue pas un obstacle ou un risque de trébuchement
- de sorte qu'elle ne puisse pas être un auxiliaire d'acte criminel, volontiers sous clé
- assuré contre utilisation inappropriée (par ex. par des enfants) si elle est en place en permanence (par exemple à proximité d'un échafaudage)

Avant son utilisation

- Le propriétaire de l'échelle devra veiller à ce que l'utilisateur dispose du manuel d'emploi.
- Avant la première utilisation après livraison, vous devriez contrôler que l'échelle est en bon état et que toutes ses parties fonctionnent.
- Votre état de santé devra vous permettre d'utiliser l'échelle. Certains états de santé, par exemple médicaments, alcool ou abus de drogue, peuvent entraîner des risques de sécurité.
- Pour une utilisation sûre de l'échelle, elle devra être inspectée chaque jour ouvrable durant

lequel elle sera utilisée et ce afin de contrôler qu'elle n'a subi aucun dommage, voir « Soins et Entretien » ci-dessous.

- Si l'échelle est utilisée dans un contexte commercial, elle devra être inspectée régulièrement.
- Vérifier que l'échelle convient pour les travaux envisagés.
- Ne pas utiliser une échelle qui serait endommagée
- Supprimer les saletés, peinture non sèche, boue, huile et neige.
- Avant d'utiliser l'échelle dans un but commercial, il faudra effectuer une analyse des risques et prendre en considération la réglementation applicable dans le pays d'utilisation.
- L'échelle peut être utilisée et emmagasinée à une température ambiante allant de -20° C à 60° C.

Positionnement

- Vérifier que l'échelle est correctement verrouillée avant de commencer à l'utiliser.
- Les échelles seront positionnées correctement, à un angle de 70° par rapport au sol si utilisées comme échelle combi ou un angle de 60 à 70° si utilisées comme échelle simple. Les marches doivent être horizontales.
- Les échelles doivent reposer fermement sur une surface ferme, horizontal et unie. Les échelles ne doivent pas être latéralement inclinées ou placées sur une surface glissante. Utilisée comme échelle combi, la charge devra être répartie uniformément sur tous les pieds.
- Le haut de l'échelle devra reposer contre une surface unie et ferme et devra être assurée en place avant son utilisation, par exemple en liant l'échelle ou en la stabilisant à l'aide d'un dispositif idoine. Ne pas incliner l'échelle en prenant appui sur les barreaux - utiliser plutôt les tubes télescopiques.
- L'échelle ne doit pas être déplacée par en haut vers une nouvelle position.
- Tenir compte du risque qu'un piéton, une voiture ou une porte pourrait déstabiliser l'échelle.
- Identifier tous les risques de nature électrique sur votre lieu de travail, par exemple les conduites d'air et autre équipement électrique non protégé.

- L'échelle doit être placée sur ses pieds, par sur les barreaux.
- L'échelle ne doit pas reposer sur une surface glissante (par exemple une surface lisse ou polluée), si des mesures ne sont pas prises pour que l'échelle ne puisse pas glisser.

Utilisation

- La charge maximum sur l'échelle ne doit pas être supérieure à 150 kg.
- Vous ne devez pas vous asseoir, vous tenir debout ou monter sur l'échelle combi si elle n'est pas totalement étirée, avec ou sans support pour genou/poignée et, si elle est utilisée comme un escabeau, elle doit aussi être complètement écartée avec la bande tendue. Si toutes les sections de barreaux ne sont pas verrouillées, l'échelle combi est instable et dangereuse à utiliser.
- Comme échelle simple, l'échelle combi doit toujours être utilisée complètement étirée et inclinée avec la partie arrière contre le mur/l'appui. Une section de barreaux de la partie arrière de l'échelle combi doit toujours être rentrée pour que l'échelle repose de façon stable sur ses pieds avant avec la partie arrière pendant librement.
- Vous ne devez pas monter sur la partie arrière de l'échelle combi quand elle est utilisée comme échelle simple.
- Ne pas vous tenir sur les trois marches les plus hautes lorsque l'échelle est utilisée comme échelle combi avec support de genou/poignée. Ne pas vous tenir sous le gond.
- Ne pas vous tenir sur les deux marches les plus hautes lorsque l'échelle est utilisée comme échelle combi sans support de genou/poignée. Ne pas vous tenir à moins de 600 mm de la marche la plus élevée de l'échelle.
- Ne pas demeurer sur les trois barreaux les plus élevés d'une échelle érigée.
- L'échelle combi ne doit pas être utilisée dans sa forme compacte comme tabouret pour s'asseoir ou se tenir debout.
- L'échelle ne doit pas être utilisée si suspendue.
- L'échelle ne doit pas être ouverte, fermée ou utilisée si inversée.
- L'échelle ne doit pas être utilisée en horizontale ou comme « pont ».
- Ne pas utiliser l'échelle pour des travaux salissants ou dans un environnement sale.

légers lorsque vous travaillez sur l'échelle.

- Maintenez-vous fermement d'une main lorsque vous travaillez sur l'échelle ou adoptez d'autres mesures de sécurité si besoin est.

Soins et entretien

Votre échelle combi est un outil de précision. Traiter l'échelle avec soin pour qu'elle préserve ses propriétés uniques.

Veillez toujours à la propreté de l'échelle combi, surtout celle des tubes télescopiques.

L'échelle combi ne doit pas être utilisée sans pieds en caoutchouc (antidérapants) et sans protection supérieure. La protection au sommet empêche la poussière, les copeaux ou autre objet similaire d'entrer dans le tube télescopique et détériore le fonctionnement de l'échelle. Les pieds et les capuchons sont des pièces d'usure disponibles auprès de votre revendeur. Remplacer ces protections dès qu'elles présentent des signes d'usure.

Seul un technicien qualifié est autorisé à réparer l'échelle télescopique. Ne pas utiliser l'échelle s'il est nécessaire de la réparer, contacter votre revendeur.

NOTE! Si l'autocollant des instructions appliqué sur l'échelle commence à être usé ou difficile à lire, commandez-en un neuf. Voir adresse sur la dernière page du mode d'emploi ou contactez votre revendeur local.

Vérifier, avant usage, que

- les sections du tube télescopique ne présentent pas de dommages apparents (cintrées, fissurées, corrodées, etc.)
- les sections du tube télescopique sont intactes au point de raccord
- les ferrures (rivets, vis, etc.) sont en place, bien serrées et non corrodés.
- les barreaux sont présents, fermement en place et ne présentent pas de signes d'usure, de corrosion ou autres dommages.
- les pieds en caoutchouc et les capuchons sont en place et ne présentent pas de signes d'usure, de corrosion ou autres dommages.
- toute l'échelle est propre (pas de saletés, boue, peinture, huile ou graisse)
- les dispositifs de verrouillage sont en bon état et fonctionnent correctement.

- Par exemple, si l'échelle est utilisée pour des travaux de maçonnerie, de béton ou de peinture, il deviendra difficile de la nettoyer et la fonction télescopique pourra se détériorer.
- Ne pas utiliser l'échelle dans un puits d'eau, ceci permettrait aux saletés de pénétrer dans le tube télescopique et de détériorer son bon fonctionnement.
- Ne pas exposer le tube télescopique à des coups ou autre rude traitement. Les dommages que le tube subirait détériorent la fonction télescopique.
- Ne pas trop vous étendre sur les côtés. La boucle du ceinturon de l'utilisateur doit être hors des deux côtés de l'échelle et ses deux pieds doivent être sur les barreaux en cours de travail.
- Ne sautez pas d'une grande hauteur depuis une échelle érigée sans avoir une sécurité supplémentaire, par exemple l'arrimage de l'échelle ou l'utilisation d'un dispositif approprié de stabilisation.
- Ne pas utiliser les marches pour grimper vers un niveau plus élevé.
- Les échelles ne seront utilisées que pour des travaux légers et de courte durée.
- Ne pas utiliser une échelle conductrice pour les travaux électriques.
- Ne pas utiliser l'échelle en extérieur par mauvais temps, par exemple par vent fort.
- Veiller à ce que les enfants ne jouent pas avec l'échelle.
- Dans la mesure du possible, verrouiller les portes (par les sorties de secours) et les fenêtres sur le poste de travail.
- Grimpez et descendez de l'échelle en lui faisant face.
- Tenez fermement l'échelle vous grimper ou que vous descendez.
- Utiliser des chaussures appropriées lorsque vous utilisez l'échelle.
- Éviter les surcharges latérales lorsque vous êtes sur l'échelle, par exemple lorsque vous percez un mur ou du béton.
- Ne restez pas trop longtemps sur l'échelle ; la fatigue est un risque, prenez une pause régulièrement.
- Une échelle érigée pour atteindre un niveau plus élevé devra dépasser la hauteur du lieu de descente d'un mètre au moins.
- N'utiliser que des accessoires et équipements

AVERTISSEMENT ! Ne pas utiliser l'échelle si vous constatez l'une ou l'autre des déficiences ci-dessus.

CONDITIONS DE GARANTIE

Le fabricant garantit que le produit est exempt de vices de matériaux et de fabrication. Si un vice de matériaux ou de fabrication, ou si un dommage est subi en raison de vices de matériaux ou de fabrication, et que ceci peut être démontré, l'acheteur est en droit d'avoir le produit réparé ou remplacé conformément à la législation sur les ventes de biens de consommation dans le pays d'achat.

Portée étendue de la garantie

Le fabricant est responsable de la dysfonction du produit qui se manifesterait pendant un an à compter de la date originale d'achat.

Portée

Le fabricant n'est pas responsable de la défaillance du produit s'il y a lieu de croire que la dite défaillance peut avoir été causée du fait que le produit

- n'a pas été utilisé comme décrit dans le manuel d'emploi
- n'a pas été nettoyé, entretenu, emmagasiné ou transporté comme indiqué dans le manuel d'emploi
- a été transformé, modifié ou a été autrement exposé à des dommages ou accidents externes
- a été accidentellement endommagé par d'autres objets ou éléments
- a été soumis à une surcharge
- a été réparé par un technicien non habilité ou que des pièces de rechange non originales ont été utilisées
- a été mal installé

Ce qui suit n'est pas considéré comme une défaillance :

- usure normale
- consommation normale de pièces d'usure

Réclamation

Pour que la garantie soit d'application, le reçu de l'achat doit être présenté. L'acheteur doit notifier le revendeur de la défaillance constatée et réclamée dans un délai raisonnable de la constatation ou dans le délai prescrit par la législation locale.

Entretien et réparation

Un entretien ou une réparation éventuelle doit toujours être exécutée par un atelier homologué qui déterminera, de cas en cas, les mesures appropriées. En cas de réparation, seuls les pièces d'origine seront utilisées. Contacter votre revendeur pour localiser l'atelier de réparation le plus proche ou relever son adresse au verso du manuel d'emploi.

La scala combi è una scala telescopica multifunzione che può essere usata come scala doppia con o senza maniglia/appoggio oppure come scala da appoggio. Grazie alla sua struttura esclusiva, dalla sua lunghezza totale la scala si ripiega in un formato compatto.

Per mantenere le caratteristiche e la perfetta funzionalità della scala combi, seguire le presenti istruzioni per l'uso, la cura e la manutenzione.

PERICOLO! La scala combi deve essere sempre bloccata correttamente prima dell'utilizzo. Controllare sempre che tutte le sezioni aperte siano bloccate prima di salire sulla scala. Non dimenticare di controllare gli anelli di bloccaggio inferiori, che non sono visibili dall'alto.

A Apertura della scala combi come scala doppia

La scala combi si blocca automaticamente all'apertura.

Aprire sempre interamente la scala combi alla lunghezza massima con o senza maniglia/appoggio. Non sedersi, sostare o salire sulla scala combi se non è completamente aperta e, quando è utilizzata come scala doppia, se i due lati non sono divaricati e bloccati con il gancio di fermo.

Come aprire la scala combi:

- 1 Rimuovere la maniglia di trasporto.
- 2 Collocare la scala combi su una superficie piana e resistente. Afferrare i lati della scala e tenere fermi i due gradini inferiori con un piede mentre si apre la scala.
- a) **Aprire come scala doppia con maniglia/appoggio:**
Afferrare la scala nella parte più alta ed estrarre interamente la sezione superiore. Continuare ad estrarre le sezioni una alla volta, finché la scala combi non è completamente aperta. Controllare che i bloccaggi si abbassino interamente.
- b) **Aprire come scala doppia:**
Afferrare i lati dei gradini doppi (cerniere) sotto la maniglia/appoggio ed estrarre interamente la sezione superiore di entrambi i lati di salita. Continuare ad estrarre le sezioni una alla volta, eccetto la maniglia/appoggio, finché i due lati della scala non sono completamente

aperti. Controllare che i bloccaggi si abbassino interamente.

- 3 Divaricare i due lati della scala combi. Il nastro deve essere interamente teso e l'inclinazione della scala deve essere di 70°. Fissare il gancio di fermo tra i due lati di salita della scala e bloccarlo.
- 4 **Accertarsi che tutte le sezioni aperte siano bloccate:** i bloccaggi devono essere interamente abbassati. Per l'uso senza maniglia/appoggio, non abbassare i bloccaggi superiori corrispondenti alle sezioni chiuse.
- 5 All'occorrenza, scuotere la scala in modo che tutte le sezioni si blocchino.
- 6 Dopo aver controllato che il gancio di fermo sia bene inserito e tutte le sezioni siano bloccate in posizione, è possibile utilizzare la scala combi come scala doppia.

B Trasformazione in scala da appoggio

La scala combi può essere utilizzata anche come scala da appoggio. Trasformare la scala combi in scala da appoggio nel modo seguente:

- 7 Aprire la scala come descritto sopra (vedere il punto A, "Aprire la scala combi come scala doppia").
- 8 Sbloccare le sezioni sul lato posteriore della scala premendo uno alla volta i due anelli di bloccaggio inferiori.
- 9 Inclinare la scala combi in avanti. Avvicinare la sezione inferiore della scala e fissare la cinghia ai due gradini in modo da tenerli uniti.
- 10 **Accertarsi che tutte le sezioni della parte anteriore della scala siano bloccate:** i bloccaggi devono essere interamente abbassati.
- 11 Utilizzare la scala combi come scala da appoggio lasciando pendere la parte posteriore. Appoggiare la scala con un'inclinazione di 65-70°.

ATTENZIONE! Appoggiare la scala ad una superficie liscia e solida e assicurarla prima dell'utilizzo, ad esempio legandola o usando un dispositivo adeguato che ne garantisca la stabilità.

C Chiusura della scala combi

La scala combi si sblocca con i quattro anelli di bloccaggio inferiori, collocati sotto i penultimi pioli di ogni lato della scala. Procedere come segue:

- 12 Pulire la scala se necessario (vedere sotto).
- 13 Avvicinare i due lati della scala combi. Se la scala combi è stata usata come scala da appoggio, sganciare la cinghia che tiene assieme i due gradini posteriori.
- 14 Tenere la scala combi in posizione eretta e inclinarla allontanandola leggermente da sé. Afferrare le aste telescopiche. Non afferrare i pioli, rischio di schiacciamento durante lo sbloccaggio e la chiusura!
- 15 Sbloccare per prime le sezioni più lontane premendo uno alla volta i due bloccaggi inferiori. Le sezioni si sbloccano automaticamente. Lo scatto del meccanismo di bloccaggio è segnalato da una leggera chiusura della scala. Premere allo stesso modo entrambi i bloccaggi inferiori del lato della scala combi più vicino a sé per sbloccare le altre sezioni. Ora la scala combi è sbloccata.
- 16 Inserire con cautela le sezioni una dentro l'altra.
- 17 Rimontare la maniglia di trasporto.

ATTENZIONE! Non tenere le mani sopra fra le sezioni durante lo sbloccaggio e la chiusura della scala.

D Pulizia

Per motivi di sicurezza e funzionalità, la scala e in particolare le aste telescopiche e i pioli devono sempre essere tenuti puliti. Sporczia, trucioli, macchie di vernice, colla ecc. devono essere rimossi al termine di ogni utilizzo e prima di chiudere la scala. Pulire la scala con un panno e una piccola quantità di solvente. Dopo la pulizia si possono trattare le aste telescopiche con spray al silicone nel seguente modo: nebulizzare le aste ed asciugare con carta o un panno. La scala deve essere perfettamente asciutta affinché la polvere non attacchi.

E Trasporto e rimessaggio

Spostare la scala combi nel formato compatto utilizzando la maniglia di trasporto in dotazione. Agganciare la maniglia di trasporto e tirarla in alto contro i pioli in modo da distribuire uniformemente il peso durante il trasporto.

Trasportare sempre la scala combi in posizione completamente chiusa, nel formato compatto. In tale modo le aste telescopiche sono protette da danni e urti che potrebbero pregiudicare la funzionalità della scala combi. Durante il trasporto, fissare bene la scala al portapacchi oppure all'interno del furgone in modo che non rimanga danneggiata.

La borsa per la scala combi è disponibile come accessorio.

Riporre sempre la scala combi

- sempre completamente chiusa in formato compatto
- in un luogo sano (senza umidità, lontano da fonti di calore, termosifoni ecc)
- in modo che non possa rimanere danneggiata da veicoli, oggetti pesanti o sostanze inquinanti
- in un posto in cui non sia d'intralcio e non costituisca pericolo di inciampamento
- in modo che non possa facilmente essere usata a scopi criminali, preferibilmente chiusa con un lucchetto
- se è permanentemente aperta (ad esempio in un cantiere), fuori dalla portata di persone non autorizzate (ad esempio bambini).

Prima dell'uso

- Il proprietario della scala deve assicurarsi che l'utente abbia accesso al manuale per l'uso.
- Prima del primo utilizzo dopo la consegna, controllare che la scala sia in buono stato e che tutte le sue parti funzionino correttamente.
- La condizione fisica dell'utente deve consentire un utilizzo sicuro della scala: alcune condizioni di salute, assunzione di medicine, abuso di alcol o di droghe possono costituire un rischio per la sicurezza.
- Per un uso sicuro della scala, è necessario ispezionarla ogni volta che la si utilizza, per verificare che non vi siano componenti danneggiati da sollecitazioni. Vedere la sezione "Cura e manutenzione".
- Se la scala è usata in un contesto professionale, ispezionarla ad intervalli regolari.
- Controllare che la scala sia adatta al lavoro da

eseguire.

- Non usare mai una scala danneggiata.
- Rimuovere sporczia quali vernice fresca, fango, olio o neve.
- Prima di usare la scala per effettuare un lavoro, eseguire un'analisi dei rischi e assicurarsi che siano applicate tutte le normative in vigore nel Paese in cui ci si trova.
- La scala può essere usata e riposta a temperature ambiente da -20° C a +60° C.

Posizione

- Controllare che la scala sia ben bloccata prima di usarla.
- Posizionare la scala in modo corretto con un'inclinazione di 70° rispetto al suolo se è usata come scala doppia o 60-70° se è usata come scala da appoggio. I pioli devono essere orizzontali rispetto al suolo.
- La scala deve poggiare in modo stabile su una superficie uniforme, orizzontale e resistente. La scala non deve essere inclinata lateralmente e nessun piede deve essere sollevato da terra o appoggiare su una superficie scivolosa. Se usata come scala doppia, la scala deve appoggiare uniformemente su tutti i piedini.
- Appoggiare la scala ad una superficie liscia e solida e assicurarla prima dell'utilizzo, ad esempio legandola o stabilizzandola con un dispositivo adeguato. Non appoggiare la scala ai pioli ma alle aste
- Non spostare la scala in una nuova posizione agendo dall'alto.
- Fare attenzione ai rischi cui sono esposti pedoni e automobili; non collocare la scala nelle vicinanze di porte e finestre che possono venire aperte.
- Identificare tutti i rischi elettrici del luogo di lavoro, ad esempio condutture in pressione o altri apparecchi elettronici non protetti.
- La scala deve poggiare sui suoi piedini e non sui pioli.
- Non appoggiare la scala su superfici scivolose (come ghiaccio, superfici lucide o molto sporche), a meno di non adottare delle contromisure atte ad impedire che la scala scivoli, oppure ripulendo accuratamente la zona.

Utilizzo

- La portata massima della scala è 150 kg.
- Non sedersi, sostare o salire sulla scala combi se non è completamente aperta con o senza maniglia/appoggio e, quando è utilizzata come scala doppia, se i due lati non sono divaricati e il nastro è teso. Se non sono bloccate tutte le sezioni, la scala combi è instabile e pericolosa.
- Quando viene utilizzata come scala da appoggio, la scala combi deve essere sempre utilizzata aperta alla lunghezza totale con il lato posteriore appoggiato contro la parete/ il supporto. Una sezione del lato posteriore della scala combi deve essere sempre ritratta, in modo che la scala appoggi stabilmente sui piedi anteriori con la parte posteriore sospesa.
- Non salire sulla parte posteriore della scala combi quando viene utilizzata come scala da appoggio.
- Non sostare sui tre pioli superiori quando la scala combi è usata come scala doppia con maniglia/appoggio. Sostare sotto lo snodo a cerniera.
- Non sostare sui due pioli superiori quando la scala combi è usata come scala doppia senza maniglia/appoggio. Non sostare a meno di 600 mm dall'ultimo piolo della scala.
- Non sostare sui tre pioli superiori quando la scala è appoggiata alla parete.
- Non usare la scala combi chiusa come sedile o sgabello.
- Non utilizzare la scala appesa.
- Non aprire, chiudere o utilizzare la scala in posizione ribaltata.
- Non utilizzare la scala in posizione orizzontale oppure come ponte.
- Non utilizzare la scala per lavori sporchi o in ambienti molto sporchi. Se la scala è utilizzata ad esempio per lavori di muratura, gettate di cemento o verniciatura, con il tempo può essere difficile pulirla a fondo e si può pregiudicare il funzionamento delle aste telescopiche.
- Non utilizzare la scala in pozzi pieni d'acqua o simili per prevenire l'ingresso nelle aste telescopiche di sporczia che potrebbe pregiudicare il corretto funzionamento della scala.
- Trattare la scala con cura, senza sbattere le aste telescopiche contro corpi contundenti. Danni alle aste telescopiche pregiudicano il corretto funzionamento della scala.

- Non sporgersi troppo da un lato. Durante il lavoro, il moschettone di sicurezza dell'utente deve trovarsi all'interno dei montanti della scala ed entrambi i piedi devono sempre poggiare sullo stesso piolo.
- Se si usa la scala per accedere a superfici a grandi altezze, adottare sempre ulteriori misure di sicurezza, ad esempio legando la scala o facendo uso di un apposito dispositivo per stabilizzarla.
- Non usare la scala per raggiungere un piano superiore.
- Usare la scala per lavori leggeri e per breve tempo.
- Non usare scale in materiale conducente per i lavori sugli impianti elettrici.
- Non usare la scala all'aperto in caso di cattive condizioni meteorologiche, ad esempio vento forte.
- Assicurarsi che i bambini non giochino con la scala.
- Bloccare le porte (tranne le uscite di sicurezza) e le finestre del posto di lavoro se possibile.
- Salire e scendere dalla scala con il viso rivolto verso la scala.
- Tenersi bene alla scala quando si sale o si scende.
- Usare scarpe adatte quando si usa la scala.
- Evitare i lavori che comportano un grande carico su un lato, ad esempio praticare fori nel muro o nel calcestruzzo.
- Non sostare per lunghi periodi sulla scala senza fare pause ad intervalli regolari (la stanchezza è un rischio).
- Se la scala viene appoggiata al muro per accedere ad un piano superiore, la scala deve sporgere di almeno un metro sopra il punto di discesa dell'operatore.
- Usare solo dispositivi leggeri e maneggevoli quando si lavora sulla scala.
- Tenersi con una mano quando si lavora sulla scala, oppure adottare altre misure di sicurezza se non è possibile tenersi.

Cura e manutenzione

Questa scala combinata è un attrezzo di precisione. Per non pregiudicare le caratteristiche esclusive della scala, maneggiarla con cura.

La scala combi e, in particolare, le aste telescopiche devono essere sempre mantenute pulite.

Non usare la scala combi se priva di piedini di gomma (protezioni antiscivolo) e protezioni superiori. Le protezioni superiori impediscono a polvere, trucioli ecc. di penetrare all'interno delle aste telescopiche e pregiudicare il corretto funzionamento della scala. I piedini di gomma e le protezioni superiori della scala sono soggetti a normale usura e possono essere acquistati presso il rivenditore. Sostituire le protezioni quando mostrano segni di usura.

La scala telescopica deve essere riparata solo da personale qualificato. Non usare la scala telescopica se deve essere sottoposta a riparazione! Rivolgersi al rivenditore.

NOTA! Ordinare una nuova etichetta di avvertimento se l'etichetta inizia ad essere usurata e difficile da leggere. Vedere l'indirizzo sul retro del libretto di istruzioni oppure contattare il proprio rivenditore autorizzato.

Prima dell'uso controllare che

- le aste telescopiche non siano piegate, torte, battute, spaccate o corrose
- le aste telescopiche siano integre nei punti di raccordo
- la viteria (rivetti, viti ecc) non manchino, non siano allentati e non siano corrosi
- i pioli non manchino, non siano allentati, usurati, corrosi o danneggiati
- i piedini in gomma e le protezioni superiori non manchino, non siano allentati, usurati, corrosi o danneggiati
- tutta la scala sia pulita (priva di sporco, fango, vernice, olio o grasso)
- i dispositivi di bloccaggio non siano danneggiati o corrosi e funzionino correttamente.

ATTENZIONE! Se si verificano le condizioni elencate sopra, non usare la scala.

GARANZIA

Il Costruttore garantisce il prodotto per eventuali difetti del materiale o di fabbricazione. Se è possibile dimostrare difetti del materiale o di fabbricazione, oppure danni provocati a causa di tali difetti del materiale o di fabbricazione, l'acquirente ha il diritto di ottenere la riparazione o la sostituzione del prodotto secondo le leggi sulla vendita di merci al consumatore in vigore nel paese di acquisto.

Garanzia estesa

Il Costruttore è responsabile dei difetti del prodotto che si verificano entro un anno dalla data originale di acquisto.

Campo d'applicazione

Tuttavia la responsabilità del Costruttore decade qualora il difetto possa essere ricondotto a:

- utilizzo in modo difforme da quanto previsto nelle presenti istruzioni per l'uso;
- pulizia, cura, manutenzione, conservazione e trasporto in modo difforme da quanto previsto nelle presenti istruzioni per l'uso;
- modifica, manomissione o altro danno esterno o incidente;
- danni involontari causati da oggetti o sostanze estranee;
- sovraccarico;
- riparazione da parte di personale non autorizzato oppure utilizzo di parti di ricambio non originali;
- installazione errata.

Non sono considerati difetti:

- normale usura
- normale consumo di componenti soggetti a usura.

Reclami

Affinché la garanzia sia valida è necessario mostrare la ricevuta d'acquisto. L'acquirente deve informare il rivenditore del difetto per il quale desidera sporgere reclamo entro un termine congruo dopo la scoperta del difetto oppure entro il tempo previsto per legge nel paese di acquisto.

Assistenza e riparazione

Eventuali operazioni di assistenza o riparazione devono essere sempre eseguite da un centro di assistenza autorizzato, che valuterà gli interventi da adottare nel caso specifico. In caso di riparazione vanno utilizzati parti di ricambio originali. Rivolgersi al rivenditore per indicazioni sul centro di assistenza autorizzato più vicino, oppure all'indirizzo riportato a tergo delle istruzioni per l'uso.

Kombinuotos kopėčios yra teleskopinės kopėčios su laisvai stovinčių skečiamųjų kopėčių (su kelių atrama/rankena arba be jos) ir standartinių atremiamų kopėčių funkcijomis. Dėl unikalios konstrukcijos kopėčias galima išskleisti iš kompaktiškos formos per visą kopėčių aukštį.

Jei pageidaujate išlaikyti kopėčių funkcionalumą ir savybes, naudokite, prižiūrėkite ir dirbkite su šiomis kopėčiomis pagal šias naudojimo instrukcijas.

DĖMESIO! Darbo metu kombinuotos kopėčios visada turi būti tinkamai užfiksuotos. Prieš lipdami ant kopėčių visada patikrinkite, ar visos išskleistos pakopų sekcijos yra užfiksuotos. Nepamirškite patikrinti apatinių fiksatorių, kurių iš viršaus nesimato.

A Kombinuotų kopėčių išskleidimas į laisvai stovinčias skečiamąsias kopėčias

Kombinuotos kopėčios automatiškai užsifiksuoja, kai jas išstumiate.

Kombinuotas kopėčias visada reikia išstumti per visą aukštį (su kelių atrama/rankena arba be jos). Negalima sėdėti, stovėti arba lipti ant kombinuotų kopėčių, jei jos nėra iki galo išstumtos ir, jei statomos kaip laisvai stovinčios skečiamosios kopėčios, nėra iki galo išskleistos ir sutvirtintos jungiamuoju fiksatoriumi.

Kombinuotų kopėčių išstūmimas:

- 1 Nuimkite nešimo rankeną.
- 2 Pastatykite kombinuotas kopėčias ant tvirto, lygaus paviršiaus. Prilaikykite kopėčias už šonų, o viena pėda, pastatyta ant apatinės pakopos, spauskite kopėčias.
- a) **Išskleidimas į skečiamąsias kopėčias su kelių atrama/rankena:**
Suimkite kopėčias už viršutinės dalies ir iki galo ištraukite viršutinę sekciją. Toliau vieną po kitos traukite pakopų sekcijas, kol kombinuotos kopėčios bus ištrauktos iki galo. Patikrinkite, ar fiksatoriai iki galo išlindo.
- b) **Išskleidimas į skečiamąsias kopėčias:**
Iš šonų suimkite po kelių atrama/rankena esantį dvigubą kopėčių skersinį (prie vyrių) ir iki galo ištraukite abi viršutines kopėčių pakopos sekcijas. Toliau vieną po kitos traukite

pakopų sekcijas, kol bus iki galo išstumtos abi kopėčių pusės, išskyrus kelių atramą/rankeną. Patikrinkite, ar fiksatoriai iki galo išlindo.

- 3 Išskėskite abi kombinuotų kopėčių puses. Juosta turi būti iki galo įsitempusi, o kopėčių pusės turi stovėti 70° kampu pagrindo atžvilgiu. Įstatykite jungiamąjį fiksatorių tarp abiejų kopėčių pusių ir užfiksuokite jį.
- 4 **Patikrinkite, ar visų ištrauktų pakopų sekcijos yra užfiksuotos:** Fiksatoriai turi būti iki galo išlindę. Naudojant kopėčias be kelių atramos/rankenos, suglaudus pakopų sekcijas viršutiniai fiksatoriai neišlenda.
- 5 Jei reikia, pareguliuokite kopėčias, kad visos pakopų sekcijos užsifiksuotų.
- 6 Patikrinę ir įsitikinę, kad jungiamasis fiksatorius nejudą ir visos pakopų sekcijos yra užfiksuotos, galite pradėti naudoti kombinuotas kopėčias kaip laisvai stovinčias skečiamąsias kopėčias.

B Išskleidimas į atremiamas kopėčias

Kombinuotas kopėčias galima naudoti ir kaip atremiamas kopėčias. Jei pageidaujate kombinuotas kopėčias naudoti kaip atremiamas kopėčias:

- 7 Iki galo išskėskite kopėčias, kaip aprašyta aukščiau (žr. Av punktą išskleidimas į laisvai stovinčias skečiamąsias kopėčias).
- 8 Galinėje kopėčių pusėje atblokuokite pakopų sekcijas. Tam reikia po vieną įspausti du apatinius fiksatorius.
- 9 Palenkite kombinuotas kopėčias į priekį. Suglauskite apatinę pakopų sekciją ir suriškite diržu abu skersinius, kad laikytųsi kartu.
- 10 **Patikrinkite, ar visos pakopų sekcijos priekinėje kombinuotų kopėčių pusėje yra užfiksuotos:** Fiksatoriai turi būti iki galo išlindę.
- 11 Naudokite kombinuotas kopėčias kaip atremiamas kopėčias, o jų kita dalis turi būti sustumta ir kaboti. Statykite kopėčias 65-70° kampu pagrindo atžvilgiu.

PASTABA! Atremiamos kopėčios turi būti atremtos į lygų ir tvirtą paviršių, o prieš jas naudojant kopėčios turi būti įtvirtinamos, pvz., jas pririšant arba stabilizuojant atitinkama įranga.

C Kombinuotų kopėčių sustūmimas

Kombinuotų kopėčių fiksacija yra atblokuojama keturiais fiksatoriais, esančiais apatinėje kopėčių dalyje, po antra nuo apačios pakopa kiekvienoje kopėčių pusėje. Taip reikia sustumti kombinuotas kopėčias:

- 12 Jei reikia, nuvalykite kombinuotas kopėčias (žr. žemiau).
- 13 Suglauskite abi kombinuotų kopėčių puses. Jei kombinuotos kopėčios naudojamos kaip atremiamos kopėčios, pirmiausia atriškite diržą, kuris laiko dvi sustumtas galines pakopas.
- 14 Laikykite kombinuotas kopėčias stačiai ir šiek tiek palenkite nuo savęs. Laikykite už teleskopinių vamzdelių, o ne už pakopų, kad neprispaustumėte pirštų, kai atfiksuojate ir sustumiate kopėčias.
- 15 Pirmiausia atblokuokite toliausiai nuo jūsų esančių pakopų sekcijų fiksaciją, po vieną paspausdami du apatinius fiksatorius. Pakopų sekcijos atsiblokuoja automatiškai. Kopėčios truputį susistums, tai ženklas, kad fiksatorius atsijungia. Įspauskite abu apatinius fiksatorius arčiau jūsų esančioje kombinuotų kopėčių dalyje – taip atlaisvinsite likusias pakopų sekcijas. Dabar kombinuotų kopėčių fiksacija yra atblokuota.
- 16 Atsargiai sustumkite pakopų sekcijas vieną į kitą.
- 17 Uždėkite atgal nešimo rankeną.

PASTABA! Atfiksuodami ir sustumdami kopėčias nelaikykite rankų ant pakopų sekcijų arba tarp jų.

D Valymas

Saugumo ir funkcionalumo sumetimais kopėčios visada turi būti švarios, ypač teleskopiniai vamzdžiai ir pakopos. Kiekvieną kartą po darbo, prieš sustumiant kopėčias, reikia nuplauti arba nušluostyti nešvarumus, pjuvenas, dažus, kljus ir pan. Nuvalykite kopėčias šluoste su trupučiu tirpiklio. Nuvalius teleskopines kopėčias, teleskopinius vamzdžius galima apdoroti silikoniniu purškalu. Nupurškite vamzdžius ir nusauskite juos popieriumi arba šluoste. Kopėčios visada turi būti sausos, kad prie jų neliptų dulksė.

E Transportavimas ir laikymas

Prieš nešdami suteikite kombinuotoms kopėčiomis kompaktišką formą. Užkabinkite rankeną ir patraukite aukštyn iki pat pakopų, kad nešant svoris būtų pasiskirstęs tolygiai.

Kombinuotas kopėčias visada transportuokite iki galo sustumtas ir kompaktiškos formos. Šitaip apsaugosite teleskopinius vamzdžius nuo smūgių ir pažeidimų, galinčių turėti neigiamos įtakos kombinuotų kopėčių funkcionalumui. Tinkamai ir stabiliai pritvirtinkite transportuojamas kopėčias ant automobilio stogo arba sunkvežimyje, kad jos nebūtų pažeistos.

Kombinuotų kopėčių nešimo dėklą galite užsisakyti kaip priedą.

Kombinuotos kopėčios laikomos

- visiškai sustumtos iki kompaktiškos formos
- tokiomis sąlygomis, kad joms nebūtų pakenkta (pvz., ne drėgmėje, karštyje ar prie radiatoriaus)
- taip, kad jų nesugadintų transporto priemonės, sunkūs daiktai arba teršalai
- taip, kad jos neužtvirtėtų praėjimo arba nekiltų pavojus už jų užkliūti
- taip, kad jų nebūtų galima lengvai panaudoti nusikaltimui vykdyti, jas galima prirakinti
- apsaugotos nuo netinkamo naudojimo (pvz., nuo vaikų), jei jos pastatytos ilgam laikui (pvz., statant namą)

Prieš naudojant kopėčias

- Kopėčių savininkas turi pasirūpinti, kad kopėčių naudotojas galėtų susipažinti su instrukcija.
- Prieš pirmą kartą naudodami ką tik pristatytas kopėčias patikrinkite, ar jos nesugadintos ir ar visos konstrukcijos dalys deramai veikia.
- Kopėčias galite naudoti, jei neturite sveikatos problemų. Tam tikros sveikatos problemos, vaistai, piktnaudžiavimas alkoholiu arba narkotikais gali sukelti pavojų jūsų saugai.
- Jei norite saugiai naudotis kopėčiomis, apžiūrėkite jas kiekvieną dieną prieš darbą ir įsitikinkite, ar jos nesugadintos, žr. „Priežiūros ir remonto“ skyrių.
- Jei kopėčios naudojamos profesionaliai, jas reikia nuolat tikrinti.
- Įsitikinkite, ar kopėčios tinka dabartiniam darbui atlikti.
- Nenaudokite sugadintų kopėčių.
- Nuvalykite teršalus, pvz., nenudžiūvusius dažus, molį, tepalą ir sniegą.
- Prieš naudojant kopėčias darbe reikia įvertinti

darbo su jomis riziką ir laikytis šalies, kurioje naudojamos kopėčios, teisės aktų nuostatų.

- Kopėčias galima naudoti ir laikyti oro temperatūrai esant nuo -20° C iki +60° C.

Kopėčių statymas

- Prieš naudodami kopėčias patikrinkite, ar jų sekcijos tinkamai užfiksuotos.
- Kopėčios turi būti tinkamai pastatytos: atremtos 70° kampu pagrindo atžvilgiu, jei kopėčios naudojamos kaip skečiamosios, arba 60–70° kampu, jei kopėčios naudojamos kaip atremiamosios. Skersiniai turi būti horizontalioje padėtyje.
- Kopėčios turi stabiliai stovėti ant lygaus, horizontalaus ir tvirtu paviršiaus. Kopėčios negali būti atremtos šonu, nesiremti viena kuria kojele arba svyruoti. Ant skečiamųjų kopėčių skersinio reikia stovėti tolygiai paskirsčius svorį abiem kojoms.
- Atremiamos kopėčios turi būti atremtos į lygų ir tvirtą paviršių, o prieš jas naudojant kopėčios turi būti įtvirtinamos, pvz., jas pririšant arba stabilizuojant atitinkama įranga. Statykite kopėčias taip, kad jos stovėtų atsirėmusios ne pakopomis, o vamzdžiais.
- Kopėčių negalima perstatyti į kitą vietą iš viršaus.
- Įvertinkite pavojų, ar, pvz., praeiviai, automobiliai arba durys gali atsitrengti į kopėčias.
- Įvertinkite visus pavojus darbo vietoje, kurie susiję su elektros srove, pvz., antžemines elektros linijas arba įrangą su atvirais laidais.
- Kopėčios turi būti statomos ant kojelių, o ne ant pakopų.
- Kopėčių negalima statyti ant nestabiliaus paviršiaus (pvz., slidaus arba akivaizdžiai užteršto), jei kopėčios neapsaugomos nuo slydimo arba paviršius nenuvalomas.

Naudojimas

- Maksimali leidžiama kopėčių apkrova yra 150 kg.
- Draudžiama sėdėti, stovėti arba lipti ant kombinuotų kopėčių, jei jos nėra visiškai išstumtos (su kelių atrama/rankena arba be jos) ir, jei statomos kaip laisvai stovinčios skečiamosios kopėčios, nėra iki galo išskleistos, o juosta nėra iki galo įsitempusi. Jei nėra užfiksuotos visos pakopų sekcijos, kombinuotos kopėčios yra nestabilios ir nesaugios.
- Pastatytos kaip atremiamos kopėčios, kombinuotos kopėčios visada turi būti išskleistos per visą aukštį ir galine puse atremtos į sieną/atramą. Galinėje kombinuotų kopėčių pusėje esanti pakopų sekcija visada turi būti sustumta, kad kopėčios tvirtai stovėtų ant priekinių kojelių, o galinė dalis laisvai kabėtų.
- Kai kombinuotos kopėčios naudojamos kaip atremiamos kopėčios, draudžiama lipti galine jų dalimi.
- Nestovėkite ant trijų viršutinių kopėčių pakopų, kai kombinuotos kopėčios naudojamos kaip skečiamosios kopėčios su kelių atrama/rankena. Stokitės po vyriais.
- Nestovėkite ant dviejų viršutinių kopėčių pakopų, kai kombinuotos kopėčios naudojamos kaip skečiamosios kopėčios be kelių atramos/rankenos. Nestovėkite ant skersinio, kuris būtų arčiau kaip 600 mm iki kopėčių viršutinio skersinio.
- Nestovėkite ant trijų viršutinių atremiamų kopėčių pakopų.
- Draudžiama sėdėti arba stovėti ant sustumtų kombinuotų kopėčių.
- Draudžiama naudoti pakabintas kopėčias.
- Draudžiama kopėčias ištraukti, sustumti arba naudoti apverstas kopėčias.
- Draudžiama naudoti kopėčias horizontalioje padėtyje arba kaip tiltelį.
- Nenaudokite kopėčių nešvariam darbui arba nešvarioje aplinkoje. Naudojant kopėčias, pavyzdžiui, mūrijimo, betonavimo arba dažymo darbams, laikui bėgant darosi sunku jas išlaikyti švarias, tai kenkia teleskopinei funkcijai.
- Nenaudokite kopėčių šuliniuose su vandeniu, nes į sustumiamus teleskopinius vamzdelius gali patekti nešvarumai ir pakenkti teleskopinei funkcijai.

- Saugokite teleskopinius vamzdžius nuo smūgių ir sutrenkimų. Vamzdžių pažeidimai kenkia teleskopinei funkcijai.
- Per daug nepersisverkite į vieną šoną. Naudotojo diržo sagtis (bamba) turi neišsikišti už kopėčių šoninių vamzdžių, o darbo metu abi kojos turi būti pastatytos ant tos pačios pakopos.
- Nelipkite atremiamomis kopėčiomis į didesnį aukštį, jei prieš tai neužtikrinote kopėčių stabilumo, pvz., nepirrišote kopėčių arba nenaudojote tinkamos stabilizavimo įrangos.
- Nenaudokite skečiamųjų kopėčių norėdami užlipti ant aukštesniame lygyje esančio paviršiaus.
- Kopėčias galima naudoti tik trumpam nesunkiam darbui.
- Darbams su elektros įtampa naudokite elektrai nelaidžias kopėčias.
- Nenaudokite kopėčių lauke esant nepalankioms oro sąlygoms, pvz., pučia stiprus vėjas.
- Imkitės priemonių, kad vaikai nežaistų su kopėčiomis.
- Jei įmanoma, darbo vietoje užrakinkite duris (tačiau ne avarinio išėjimo) ir uždarykite langus.
- Kopėčiomis lipkite ir leiskitės atsiskų į jas veidu.
- Lipdami arba leisdami kopėčiomis tvirtai į jas įsikibkite.
- Lipdami ant kopėčių naudokite tinkamą avalynę.
- Venkite per didelės šoninės apkrovos, kuri gali atsirasti naudojant plytų ar betono grąžtą.
- Nestovėkite ant kopėčių per ilgai be nuolatinių pertraukų (nuovargis kelia pavojų).
- Kad pasiektumėte aukštesnį lygį, atremiamas kopėčias atremkite mažiausiai 1 m virš siekiamo taško.
- Naudodami kopėčias dirbkite tik su lengva ir patogia įranga.
- Dirbdami ant kopėčių laikykitės įsikibę į kopėčias viena ranka, o jei tai neįmanoma, naudokite kitokias saugos priemones.

Priežiūra ir remontas

Jūsų kombinuotos kopėčios yra sudėtingas įrankis. Rūpestingai jas prižiūrėkite, kad išsaugotumėte unikalias jų savybes.

Kombinuotos kopėčios turi būti visada švarios, ypač teleskopiniai vamzdeliai.

Kombinuotų kopėčių negalima naudoti be guminių kojelių (apsaugos nuo slydimo) ir galų gaubtelių. Plastikiniai antgaliai neleidžia į teleskopinius vamzdžius patekti dulksoms, pjuvenoms ir kitiems nešvarumams, galintiems pakenkti kopėčių funkcionalumui. Guminės kopėčių kojelių ir plastikiniai antgaliai yra susidėvinčios detalės, jų galite įsigyti iš kopėčių platintojo. Kai apsaugos pradeda nusidėvėti, nedelsdami jas pakeiskite.

Teleskopines kopėčias gali remontuoti tik kvalifikuotas meistras. Nenaudokite teleskopinių kopėčių, jei jas reikia remontuoti, kreipkitės į platintoją.

Dėmesio! Jei lipdukas su instrukcijomis ant kopėčių nusidėvėjo ir yra sunkiai įskaitomas, užsisakykite naują lipduką. Žr. adresą naudojimo instrukcijos gale arba susisiekite su vietos platintoju.

Prieš naudodami kopėčias patikrinkite, ar

- teleskopiniai vamzdžiai nesulankstyti, nepersukti, neišsikraipę, nesuskilę arba nepaveikti korozijos
- teleskopiniai vamzdžiai turi visas jungtis
- netrūksta tvirtinimo detalių (kniedžių, varžtų), jos nesilaiko arba nėra paveiktos korozijos
- netrūksta pakopų, jos nepritvirtintos, nusidėvėjusios, paveiktos korozijos arba sugadintos
- netrūksta guminių kojelių ir plastikinių antgalių, jie nepritvirtinti, nusidėvėję, paveikti korozijos arba sugadinti
- visos kopėčios švarios (nėra purvo, molio, dažų, tepalo arba riebalų)
- fiksatorių mechanizmas nesugadintas arba paveiktas korozijos ir tinkamai veikia.

PASTABA! Aptikę minėtus trūkumus kopėčių nenaudokite.

GARANTIJOS SĄLYGOS

Gamintojas garantuoja, kad šis gaminys neturi medžiagų ir gamybos defektų. Jei nustatomi medžiagų ar gamybos defektai, arba padaryta žala dėl medžiagų ar gamybos defektų, pirkėjas turi teisę reikalauti sutaisyti gaminį arba pakeisti jį remiantis įstatymais, reglamentuojančiais vartojimo prekių prekybą, taikomais šalyje, kurioje įsigytas gaminys.

Papildoma garantija

Gamintojas prisiima atsakomybę už gaminio defektus, kurie nustatomi per vienus metus nuo produkto įsigijimo dienos.

Garantijos įsipareigojimų apimtis

Gamintojas neatsako už gaminio gedimus, jei yra tikimybė, kad defektą sukėlė:

- naudojimas nesilaikant naudojimo instrukcijos
- kopėčių nevalymas, nepriežiūra, netinkamas remontas ir laikymas nesilaikant instrukcijų
- gaminio permontavimas, konstrukcijos keitimas arba kiti išoriniai pažeidimai ar netyčiniai veiksmai
- netyčinė žala, kurią padarė kitas daiktas ar medžiaga
- per didelė apkrova
- remontas, kurį atliko neįgalios meistras, arba naudotos neoriginalios atsarginės dalys
- netinkamas montavimas.

Defektu nelaikomas

- įprastas nusidėvėjimas
- įprasta susidėvėtinčių detalių išeiga.

Skundai

Reikalaujant garantinio aptarnavimo reikia pateikti pirkimo čekį. Pirkėjas turi informuoti platintoją apie defektą, dėl kurio jis nori pateikti skundą, per pagrįstą laiką nuo defekto nustatymo arba per terminą, kuris nustatytas šalies, kurioje įsigytas gaminys, įstatymais.

Techninis aptarnavimas ir gedimų taisymas

Techninį aptarnavimą ir gedimų taisymą visada turi atlikti įgaliotos remonto dirbtuvės, kurios kiekvienu individualiu atveju nustato tinkamą veiksmų eiga. Remontui visada turi būti naudojamos originalios atsarginės dalys. Apie artimiausių įgaliotų remonto dirbtuvių vietą jus informuos kopėčias pardavęs platintojas arba žr. adresą kitoje naudojimo instrukcijos pusėje.

Kombikāpnes ir kāpnes, ko var izmantot gan kā brīvi novietojamas stalažu kāpnes, gan arī kā piesienamās kāpnes. Tās var būt aprīkotas arī ar ceļgalu atbalstu/rokturi. Kāpņu unikālā konstrukcija nodrošina iespēju tās izvilkt pilnā garumā no salikta, kompakta stāvokļa.

Lai kāpnes labi funkcionētu, tās jāizmanto, jākopj un jāuztur atbilstoši lietošanas instrukcijai.

BRĪDINĀJUMS! Izmantošanas laikā kombikāpņu fiksatoriem vienmēr jābūt kārtīgi nofiksētiem. Pirms kāpjat uz kāpnēm, vienmēr pārbaudiet, lai būtu nofiksēti visi izvilktos pakāpienu posmi. Neaizmirstiet pārbaudīt fiksatorus lejas daļā, kur tos nevar redzēt no augšas.

A Kombikāpņu kā brīvi stāvošu stalažu kāpņu uzstādīšana

Kombikāpnes nofiksējas automātiski, kad tās izvelk.

Kombikāpnes, kas aprīkotas ar ceļgalu atbalstu/rokturi, vai arī bez tā, vienmēr jāizvelk pilnā augstumā. Uz kombikāpnēm nedrīkst kāpt vai sēdēt vai stāvēt, pirms tās ir pilnībā izvilktas un – izmantojot kā brīvi stāvošas stalažu kāpnes – un nodrošinātas pret sakļaušanos ar drošības fiksatoru.

Izvelciet kombikāpnes šādi:

- 1 Noņemiet transportēšanas rokturi.
 - 2 Novietojot kombikāpnes uz stingras horizontālas virsmas. Lai kāpnes uzstādītu, satveriet tās aiz malām un, uzliekot kāju uz abiem apakšējiem pakāpieniem, pieturiet tās pie zemes.
- a) **Uzstādot kombikāpnes kā stalažu kāpnes ar ceļgalu balstu/rokturi:**
Satveriet kāpņu augšdaļu un pilnībā izvelciet pakāpienu augšējo posmu. Turpiniet izbidīt pa vienam posmam, līdz kombikāpnes ir izbīdītas visā garumā. Pārbaudiet, vai fiksators līdz galam nokrīt uz leju.
- b) **Uzstādot kombikāpnes kā stalažu kāpnes:**
Satveriet dubultā kāpņu pakāpiena (eņģu mezgla) malas zem ceļgalu balsta/ roktura un pilnībā izvelciet pakāpienu abus augšējās posmus. Turpiniet izvilkt pa vienam pakāpienu posmu abās kāpņu pusēs, izņemot ceļgalu balsta/roktura segmentu, līdz kāpnes būs pilnībā izvilktas. Pārbaudiet, vai fiksators līdz galam nokrīt uz leju.

- 3 Izlieciet atsevišķi abas kāpņu sekcijas. Atsaitei jābūt pilnībā nostieptai, un uzstādīšanas leņķim jābūt 70°. Izvelciet un nofiksējiet pretsakļaušanās aizsargstieni starp abām kāpņu sekcijām.
- 4 **Pārbaudiet, vai izvilktie posmi ir nofiksēti:** Fiksatoriem jābūt pilnībā izvilktiem. Kāpnes izmantojot bez ceļgalu atbalsta/rokturiem neizvilktajiem augšējiem kāpņu posmiem fiksatori neaktivizējas.
- 5 Ja nepieciešams, mazliet pakratiet kāpnes, lai visi posmi nofiksējas.
- 6 Kad ir pārbaudīts, ka pretsakļaušanās aizsargstienis ir nofiksējies un ka visi segmenti ir nofiksēti, jūs varat izmantot kombikāpnes kā brīvi stāvošas stalažu kāpnes.

B Salikšana par piesienamajām kāpnēm

Kombikāpnes var izmantot arī kā piesienamās kāpnes. Lai kombikāpnes saliktu kā piesienamās kāpnes:

- 7 Izvelciet kāpnes pilnībā, kā tas ir aprakstīts iepriekš (skat. A Kombikāpņu kā brīvi stāvošu stalažu kāpņu uzstādīšana).
- 8 Atbloķējiet pakāpienu posmus aizmugurējā kāpņu pusē, citu pēc cita iespiežot abus apakšējos fiksatorus.
- 9 Sasveriet kombikāpnes uz priekšu. Apakšējos pakāpienu posmus novietojiet vienu pie otra un pievelciet tos ar siksnu.
- 10 **Pārbaudiet, vai visi kombikāpņu priekšējās daļas pakāpienu posmi ir nofiksēti:** Fiksatoriem jābūt pilnībā izvilktiem.
- 11 Izmantojiet kombikāpnes kā piesienamās kāpnes, atstājot aizmugurējo sabīdāmo posmu karājoties. Kāpņu uzstādīšanas leņķim jābūt 65–70°.

BRĪDINĀJUMS! Piesienamo kāpņu augšgals jābalsta pret līdzenu un stingru virsmu, un lietotājam tās jānostiprina, piemēram, piesienot vai ar citu saprātīgu metodi, kas nodrošina stabilitāti.

LIETOŠANAS INSTRUKCIJA

C Kombikāpņu sabīdīšana

Kombikāpņu posmus atbrīvo, izmantojot četrus fiksatorus, kas atrodas kāpņu lejas daļā zem abu posmu otrajiem pakāpieniem. Sabīdīet kombikāpnes šādi:

- 12 Ja nepieciešams, notīriet kombikāpnes (skatiet informāciju zemāk).
- 13 Salieciet kopā abas kombikāpņu puses. Ja kombikāpnes izmanto kā piesienamās kāpnes, pēc tam atbrīvojiet siksnu, kas satur abus sabīdītos pakāpienus aizmugurē.
- 14 Turiet kombikāpnes taisni uz augšu un nedaudz atvirziet tās no sevis. Turiet kāpnes aiz teleskopiskajiem stieņiem (ne pie pakāpieniem), lai netiktu iespiesti pirksti kāpņu fiksatoru atbrīvošanas un sabīdīšanās brīdī.
- 15 Vispirms atbloķējiet pakāpienu posmus aizmugurējai kāpņu sekcijai, citu pēc cita iespiežot abus apakšējos fiksatorus. Pakāpienu posmu fiksācija tiek atbrīvota automātiski. Bloķēšanas mehānisma atbrīvošanās ir atpazīstama pēc tā, ka kāpnes nedaudz sabīdās. Tāpat pēc kārtas piespiežot abus apakšējo pakāpienu posmu fiksatorus kāpņu sekcijai, kas atrodas jums tuvāk, atbrīvo pārējos pakāpienu posmu fiksatorus. Kombikāpņu fiksatori ir atbrīvoti.
- 16 Uzmanīgi sabīdīet pakāpienu posmus vienu otrā virzienā uz leju.
- 17 Uzlieciet kāpņu nešanai paredzēto rokturi.

BRĪDINĀJUMS! Lai novērstu roku saspiešanas risku, nenovietojiet tās uz vai starp pakāpieniem kāpņu sabīdīšanas laikā.

D Tīrīšana

Drošības un funkcionālu apsvērumu dēļ kāpnēm jābūt pastāvīgi tīrām, sevišķi teleskopiskajiem stieņiem un pakāpieniem. Netīrumi, skaidas, krāsas šķakatas, līmējošu materiālu atliekas utt. pēc katras lietošanas reizes pirms kāpņu sabīdīšanas jānoslauka vai jānomazgā. Tīrīšana jāveic ar lupatiņu, kas samitrināta ar šķaidītāju. Pēc tīrīšanas teleskopiskos stieņus var apstrādāt ar silikona izsmidzinātāju. Stieņus ir jāapsmidzina un jānoberz ar papīru vai dvieli. Kāpnēm vienmēr jābūt sausām, lai putekļi nepiekalstu pie kāpnēm.

E Transportēšana un glabāšana

Nesiet kombikāpnes saliktā stāvoklī, izmantojot komplektā esošo noņemamo kāpņu nešanai paredzēto rokturi. Piekabiniet pārvietošanai paredzēto rokturi un aizbīdīet to līdz pat pakāpieniem, lai kāpnes nesot atrastos līdzsvarā.

Vienmēr pārvietojiet kombikāpnes pilnībā sabīdītas, kompaktā stāvoklī. Tas aizsargā sabīdāmās caurules no trieciena un bojājumiem, kas var pasliktināt kombikāpņu darbību. Transportēšanas laikā uzmanīgi piestipriniet kāpnes uz jumta bagāžnieka vai kravas nodalījumā, lai tās netiktu bojātas.

Somu kombikāpņu pārņemšanai var iegādāties kā papildu piederumu.

Kombikāpnes jāglabā šādi:

- pilnībā sabīdīet kompaktajā formātā,
- nekaitējošos apstākļos (ne pārāk augsts mitrums, karstums, siltumķermeņu tuvums utt.),
- bez apdraudējumiem, ko var radīt transportlīdzekļi, smagi priekšmeti vai piesārņojums,
- vietā, kur kāpnes netraucē un nerada pakļūšanas riskus,
- lai tās nevarētu izmantot krimināliem mērķiem, vēlams saslēgt ar atslēgu,
- pasargātas no nepilnvarotas lietošanas (piemēram, no bērniem), ja tās ilgstoši stāv uzstādītas (piemēram, būvobjektā).

Pirms lietošanas

- Kāpņu īpašniekam jānodrošina, lai lietotājam būtu pieejama kāpņu lietošanas instrukcija.
- Pēc pirmās lietošanas reizes pēc piegādes jāpārbauda, vai kāpnes ir labā stāvoklī un vai visas daļas ir funkcionāli derīgas.
- Jūsu veselības stāvoklim jābūt atbilstošam, lai varētu lietot kāpnes. Veselības stāvoklis, medikamenti un alkohola vai narkotiku lietošana var izraisīt drošības riskus.
- Lai kāpņu lietošana būtu droša, tās katru lietošanas reizi ir jāpārbauda, lai nodrošinātu, ka nav radušies nekādi bojājumi (skatiet „Kopšana un apkope” zemāk).
- Ja kāpnes tiek lietotas uzņēmējdarbībā, tās regulāri jāpārbauda.
- Pārbaudiet, vai kāpnes ir piemērotas pašreizējiem darbiem.
- Neizmantojiet bojātas kāpnes.

- Noņemiet netīrumus, piemēram, mitru krāsu, mālu, eļļu un sniegu.
- Pirms kāpņu lietošanas jāveic risku analīze un jāņem vērā valsts, kur tās tiek lietotas, noteikumi.
- Kāpnes drīkst izmantot un glabāt pie apkārtējās temperatūras -20 °C līdz 60 °C.

Uzstādīšana

- Pirms lietošanas pārbaudiet, vai kāpnes ir kārtīgi nofiksētas.
- Kāpnēm jābūt uzstādītām pareizi, ar slīpuma leņķi 70° pret pamatni, izmantojot kā stalažu kāpnes, vai 60–70°, izmantojot kā piesienamās kāpnes. Pakāpienu posmiem jāatrodas horizontāli.
- Kāpnēm stabili jāstāv uz pamatnes, horizontālas un stingras virsmas. Kāpnes nedrīkst būt savērkušas uz sāniem, nedrīkst palikt nenoslogota kāda no kājām, un tās nedrīkst uzstādīt uz slidošas virsmas. Kā stalažu kāpnēm tām jābalstās ar vienādu slodzi uz visām kājām.
- Piesienamo kāpņu augšgals jābalsta pret līdzenu un stingru virsmu, un lietotājam tās jānostiprina, piemēram, piesienot vai ar citu saprātīgu metodi. Balstiet kāpnes nevis pret pakāpieniem, bet gan posmiem.
- Kāpnes nedrīkst pārvietot citā pozīcijā no augšas.
- Ņemiet vērā briesmas, kuras var izraisīt, piemēram, kājāmgājēji, automašīnas vai durvis, kas var atsīties pret kāpnēm.
- Jāidentificē visi elektriskie apdraudējumi darba vietā, piemēram, gaisvadi un citi neaizsargāti vadītāji.
- Kāpnes drīkst balstīt tikai uz to kājām, nevis uz pakāpieniem.
- Kāpnes nedrīkst uzstādīt uz slidenas pamatnes (piemēram, ledus, ļoti gludām vai ļoti netīrām virsmām), ja nav veikti pasākumi pret kāpņu slidēšanu vai pamatne nav kārtīgi notīrīta

LIETOŠANAS INSTRUKCIJA

Lietošana

- Kāpnes ir paredzētas ne lielākai slodzei par 150 kg.
- Nedrīkst sēdēt, stāvēt vai kāpt uz kombikāpnēm ar vai bez ceļgalu atbalsta/roktura, ja tās nav līdz augšai izvilktas un ja, tās uzstādot kā brīvi stāvošas stalažu kāpnes, to daļas nav novietotas tādā attālumā, lai atsaite būtu nostiepta. Ja pakāpienu posmu fiksatori nav nobloķēti, kombikāpnes būs nestabilas un to izmantošana – bīstama.
- Izmantojot kombikāpnes kā piesienamās kāpnes, tām vienmēr jābūt izvilktām pilnā augstumā un to aizmugurējā daļa jāatbalsta pret sienu/balstu. Vienam pakāpienu posmam kombikāpņu aizmugurējā daļā vienmēr jābūt sabīdītam, lai kāpnes stabili balstītos uz priekšējām kāpņu kājiņām, bet aizmugurējais posms brīvi karātos.
- Nedrīkst kāpt pa kombikāpņu aizmugurējo daļu, ja tās tiek izmantotas kā piesienamās kāpnes.
- Nestāviet uz trim augšējiem pakāpieniem, ja kombikāpnes tiek izmantotas ar ceļgalu balstu / rokturi. Stāviet zem šarnīra savienojuma.
- Nestāviet uz diviem augšējiem pakāpieniem, ja kombikāpnes tiek izmantotas bez ceļgalu balsta / roktura. Nestāviet tuvāk par 600 mm no augšējā kāpņu pakāpiena.
- Nestāviet uz trim piesienamo kāpņu augšējiem pakāpieniem.
- Kombikāpnes nedrīkst izmantot sēdēšanai vai uz tām pakāpties, kad tās ir sabīdītas.
- Nekādā gadījumā neizmantojiet kāpnes iekārtā stāvoklī.
- Kāpnes nedrīkst izbīdīt, sabīdīt vai lietot, ja tās novietotas otrādi.
- Neizmantojiet kāpnes horizontālā pozīcijā vai kā tiltu.
- Neizmantojiet kāpnes netīrumus radošos darbos vai darbos netīros apstākļos. Ja kāpnes tiek izmantotas, piemēram, mūrnieku, betondarbos vai krāsošanas darbos, ar laiku tās var būt grūti notīrīt, kas var traucēt teleskopiskajai funkcijai.
- Neizmantojiet kāpnes ar ūdeni piepildītās kamerās, jo tādā veidā teleskopiskajos stieņos var iekļūt netīrumi, kas var traucēt teleskopisko funkciju.
- Aizsargājiet teleskopiskos stieņus tajā daļā, kuras nesiedz pakāpieni, jo stieņu bojājumi var

traucēt teleskopisko funkciju.

- Nestiepieties pārāk tālu uz sāniem. Visā darba laikā lietotāja jostasvieta (vai naba) nedrīkst atrasties ārpus kāpņu zonas, bet abām kājām jāstāv uz viena kāpņu pakāpiena.
- Nedrīkst nokāpt no pieslējamām kāpnēm no lielāka augstuma, ja nav nodrošināta papildu drošība, piemēram, piesienot kāpnēm augšgalu, vai ar kādu citu saprātīgu metodi.
- Neizmantojiet stalažu kāpnes, lai uzkāptu augstākā līmenī.
- Kāpnes drīkst izmantot tikai islaicīgiem, viegliem darbiem.
- Elektodarbim jāizmanto strāvu nevadošas kāpnes.
- Neizmantojiet kāpnes ārā, ja ir sliktis laiks (piemēram, spēcīgs vējš).
- Rūpējieties, lai ar kāpnēm nespēlētu bērni.
- Ja iespējams, aizslēdziet durvis (ne avārijas izejas) un logus darba vietā.
- Uzkāpjot un nokāpjot, sejai jābūt vērsta pret kāpnēm.
- Uzkāpjot un nokāpjot, kārtīgi turieties pie kāpnēm.
- Lietojot kāpnes, jāvalkā atbilstoši apavi.
- Izvairieties no darbiem, kas izraisa pārāk lielas sānu slodzes, piemēram, urbšana mūrī vai betonā.
- Nestāviet uz kāpnēm pārāk ilgi, ieturiet regulāras pauzes (nogurums ir riska faktors).
- Pieliekamām kāpnēm, kuras izmanto augstāka līmeņa sasniegšanai, jāsniedzas vismaz 1 metru virs augšējās platformas.
- Strādājot uz kāpnēm, izmantojiet tikai vieglu un rokās noturamu aprīkojumu.
- Strādājot uz kāpnēm, pieturieties ar vienu roku vai, ja tas nav iespējams, izmantojiet drošības palīgietais.

Kopšana un tehniskā apkope

Jūsu kombikāpnes ir precīzs instruments. Darbojieties ar tām uzmanīgi un tās saglabās savas unikālās īpašības.

Vienmēr uzturiet kombikāpnes tīras, jo īpaši sabīdāmās caurules.

Kombikāpnes nedrīkst izmantot bez gumijas kājiņām (pretslīdēšanas aizsardzība) un aizsarguzgaļiem. Aizsarguzmavas neļauj nonākt teleskopiskajos stieņos putekļiem, izurbtajam materiālam u.c., kas var traucēt teleskopiskajai funkcijai. Gumijas kājiņas un aizsarguzmavas ir dilstošas daļas, kuras var iegādāties specializētos veikalos. Šie aizsargelementi ir jānomaina, tiklīdz parādās nodilums.

Teleskopiskās kāpnes jāremontē kvalificētiem speciālistiem. Nedrīkst lietot teleskopiskās kāpnes, ja tās jāremontē. Sazinieties ar savu pārstāvi.

IEVĒROJIET! Pasūtiet jaunu instrukciju uzlīmī kāpnēm, ja vecā nodilst un kļūst grūti salasāma. Izmantojiet lietošanas instrukcijas aizmugurē norādīto adresi, vai arī sazinieties ar pārdevēju.

Pirms lietošanas pārbaudiet:

- Teleskopiskie stieņi nav savērpušies, saliekušies, ieplīsuši vai izrūsējuši.
- Teleskopiskie stieņi ir bojāti pieslēgumu vietās.
- Neviena daļa (troses, skrūves utt.) netrūkst, nav vaļīga vai izrūsējusi.
- Nevienam no pakāpieniem netrūkst, nav vaļīgs, nolietojies vai izrūsējies.
- Netrūkst ne gumijas kājiņu, ne aizsarguzmavu; tās nav vaļīgas, nolietotas, izrūsējušas vai bojātas.
- Visas kāpnes ir tīras (bez netīrumiem, māliem, krāsas, eļļas vai taukiem).
- Fiksācijas ietaises nav bojātas vai izrūsējušas un darbojas atbilstoši.

BRĪDINĀJUMS! Neizmantojiet kāpnes, ja tiek atklātas iepriekšminētās problēmas.

GARANTIJAS NOTEIKUMI

Ražotājs garantē, ka produktam nav materiāla un ražošanas defektu. Ja atklājas materiāla vai ražošanas defekti vai bojājumi, kas radušies materiāla vai ražošanas defektu dēļ (kas ir pierādāms), pircējam ir tiesības uz produkta remontu vai maiņu atbilstoši iegādes valsts likumiem par patēriņa preču iegādi.

Paplašinātā garantija

Ražotājs uzņemas atbildību par produkta kļūmēm, kas radušās gada laikā kopš iegādes.

Garantijas segums

Ražotājs neuzņemas nekādu atbildību par produkta defektiem, ja ir liela iespējamība, ka defektu izraisījis kāds no šiem punktiem:

- Produkts netika lietots atbilstoši lietošanas pamācībai.
- Produkts netika tīrīts, apkopts, glabāts vai transportēts atbilstoši lietošanas pamācībai.
- Produkts tika pārbūvēts, modificēts vai tika bojāts ārējas ietekmes vai negadījuma rezultātā.
- Produkts nejausi ir bojājuši svešķermeņi vai vielas.
- Produkts tika pārāk daudz noslogots.
- Produktu remontēja neautorizēts servisa partneris vai tika izmantotas neoriģinālās daļas.
- Produkts tika nepareizi uzstādīts.

Par defektiem nav uzskatāmi:

- normāla nolietošana,
- normāla nodilumdaļu nolietošana.

Reklamācija

Garantijas prasību apmierināšanai nepieciešams iegādi apliecinošs dokuments. Pircējam jāinformē pārstāvis par reklamācijas defektu atbilstošā laika periodā pēc defekta atklāšanas vai laikā, kas noteikts iegādes valstī.

Apkope un remonts

Attiecīgos apkopes vai remontdarbus jāveic pilnvarotai darbnīcai, kura katrā atsevišķā gadījumā izmanto atbilstošus risinājumus. Remontam jāizmanto oriģinālās rezerves daļas. Palūdziet savam pārstāvim informāciju par tuvāko pilnvaroto darbnīcu vai skatiet adresi lietošanas pamācības aizmugurē.

De **combiladder** is een telescopische ladder met gecombineerde functie als bokladder met of zonder kniesteunen/handgrepen en als opsteekladder. Door zijn unieke constructie kan de combiladder van een compact formaat worden uitgeschoven tot volledige lengte.

Om de eigenschappen en werking van de ladder te behouden, moet u de combiladder zo gebruiken, verzorgen en onderhouden als in de gebruiksaanwijzing wordt beschreven.

RISICO! De combiladder moet altijd goed zijn vergrendeld wanneer hij wordt gebruikt. Controleer altijd of alle geopende treden zijn vergrendeld, voordat u op de ladder klimt. Vergeet niet de onderste vergrendelbeugels te controleren, die van bovenaf niet zichtbaar zijn.

A Open de combiladder tot bokladder

De Combi-ladder vergrendelt automatisch wanneer u hem uitschuift.

De Combi-ladder moet altijd helemaal worden geopend, tot volle hoogte met of zonder kniesteun/handgreep. Het is niet toegestaan om op de Combi-ladder te gaan zitten, staan of omhoog te klimmen indien deze niet helemaal is uitgeschoven, en als bokladder ook niet indien deze niet helemaal is uitgekapt en vergrendeld met de inschuifvergrendeling.

Combi-ladder openen:

- 1 Verwijder de draaghandgreep.
- 2 Plaats de Combi-ladder rechtop op een horizontale, stevige ondergrond. Houd beide ladderdelen samen en duw de beide onderste sporten met één voet omlaag wanneer u de ladder uitschuift.
- a) **Openen als bokladder met kniesteun/handgreep:**
Pak de ladder helemaal bovenaan vast en trek de eerste laddersectie helemaal omhoog. Ga daarna verder en trek de laddersecties daarna één voor één uit elkaar tot de Combi-ladder helemaal is uitgeschoven. Controleer of de vergrendelingen helemaal naar beneden vallen.
- b) **Openen als bokladder:**
Pak beide zijden van de eerste dubbele sport onder het scharniergedeelte (onder de kniesteun/handgreep) vast en schuif deze

laddersectie van beide ladderdelen helemaal omhoog. Trek daarna alle laddersecties één voor één omhoog tot beide ladderdelen met uitzondering van de kniesteun/handgreep helemaal zijn geopend. Controleer of de vergrendelingen helemaal naar beneden vallen.

- 3 Klap beide delen van de Combi-ladder uit elkaar. De band moet helemaal gestrekt zijn en de schuinstand dient 70° te bedragen. Zet de inschuifvergrendeling vast tussen beide delen van de ladder.
- 4 **Controleer of alle open laddersecties zijn vergrendeld:** de vergrendelingen dienen helemaal naar buiten te zijn gekomen. Bij gebruik zonder kniesteun/handgreep zullen de bovenste vergrendelingen van de gesloten laddersecties niet uitklappen.
- 5 Indien nodig, kunt u de ladder iets heen en weer schudden om alle sporten te vergrendelen.
- 6 Wanneer u hebt gecontroleerd of alle sporten en de inschuifvergrendeling zijn vergrendeld, kunt u de ladder als vrijstaande bokladder gebruiken.

B Gebruiken als opsteekladder

De Combi-ladder kan ook als opsteekladder worden gebruikt. Zo maakt u van de Combi-ladder een opsteekladder:

- 7 Open de ladder zoals in bovenstaande tekst wordt beschreven (zie A Combi-ladder openen als vrijstaande bokladder).
- 8 Ontgrendel de laddersecties aan de achterzijde van de ladder door de twee onderste vergrendelingen één voor één in te drukken.
- 9 Houd de Combi-ladder iets schuin vooruit. Schuif de onderste laddersectie van het achterste laddergedeelte omhoog en maak de riem om beide sporten vast zodat ze bij elkaar worden gehouden.
- 10 **Controleer of alle laddersecties van de Combi-ladder aan de voorste ladderzijde zijn vergrendeld:** de vergrendelingen dienen helemaal naar buiten te zijn gekomen.
- 11 Gebruik de Combi-ladder als opsteekladder met de achterste in elkaar geschoven ladderzijde naar beneden hangend. Zet de ladder in een hoek van 65-70° tegen de wand.

Waarschuwing! Een opsteekladder moet schuin tegen een vlakke en stevige wand worden geplaatst en voor gebruik worden geborgd, bijvoorbeeld door de ladder vast te binden of door de stabiliteit van de ladder op andere geschikte wijze te waarborgen.

C Combiladder sluiten

De combiladder wordt ontgrendeld met de vier vergrendelbeugels onderaan, onder de één na laagste sport van beide trapzijden. Schuif de combiladder als volgt in elkaar:

- 12 Maak de ladder indien nodig goed schoon (zie hieronder).
- 13 Klap de beide kanten van de ladder in. Indien de Combi-ladder als opsteekladder is gebruikt, moet eerst de riem rondom beide sporten van het achterste laddergedeelte worden losgemaakt.
- 14 Houd de Combi-ladder recht omhoog vast en laat deze iets schuin achterover hellen. Houd de ladder vast aan de telescoopbuizen, niet aan de sporten, zodat uw vingers niet klem komen te zitten wanneer u de ladder in elkaar schuift.
- 15 Ontgrendel eerst de laddersecties aan het achterste gedeelte door de twee onderste vergrendelingen één voor één in te drukken. De laddersecties zullen automatisch ontgrendelen. U zult merken dat de vergrendelmechanismen de ladder vrijgeven aangezien de ladder iets naar beneden zakt. Ga daarna op dezelfde manier te werk met de beide onderste vergrendelingen van het voorste gedeelte van de ladder, om de overige laddersecties te ontgrendelen. Nu is de Combi-ladder ontgrendeld.
- 16 Schuif de laddersecties nu in elkaar.
- 17 Bevestig de draaghandgreep.

Waarschuwing! Houd uw handen niet op of tussen de laddersecties wanneer u de ladder ontgrendelt en in elkaar schuift.

D Reiniging

De Telescoopladder moet met het oog op de veiligheid en de werking ervan altijd schoon worden gehouden, met name de telescoopbuizen en de sporten. Vuil, zaagsel, verfspatten, lijm en dergelijke moeten na gebruik altijd worden verwijderd voordat de ladder in elkaar wordt geschoven. Maak de ladder schoon met een doek met wat oplosmiddel. Na reiniging moeten de telescoopbuizen worden behandeld met een siliconenspray. Spuit de buizen in en droog ze daarna af met papier of een poetsdoek. De ladder moet altijd droog zijn om geen stof te binden.

E Transport en opslag

Draag de combiladder in compact formaat aan het losse draaghandvat dat met de ladder wordt meegeleverd. Haak het draaghandvat in en trek het zo ver mogelijk omhoog om in evenwicht te zijn wanneer u de ladder draagt.

Vervoer de combiladder altijd geheel ingeschoven in compact formaat. Dan zijn de telescopische buizen beschermd tegen stoten en beschadigingen, die de werking van de combiladder kunnen verslechteren. Om beschadiging tijdens transport op dakdragers of in de vrachtwagen te voorkomen moet de Telescoopladder goed worden vastgezet.

Een draagtas voor de combiladder is als accessoire verkrijgbaar.

Opslag van de Combi-ladder

- Tijdens opslag moet de ladder helemaal in elkaar zijn geschoven
- Op een plaats waar de ladder niet onderhevig is aan slijtage door bijvoorbeeld vocht, hitte, bij een radiator
- Op een plaats waar de ladder niet kan worden beschadigd door voertuigen, zware voorwerpen of verontreiniging
- Op een plaats waar de ladder niet in de weg ligt of een struikelgevaar oplevert
- Op een plaats waar deze niet voor criminele doeleinden kan worden gebruikt, bij voorkeur aan de ketting
- Indien in permanente uitgetrokken toestand (bijv. op bouwsteigers) moet de ladder zijn beveiligd tegen onachtzaam gebruik (bijv. door kinderen).

Voor gebruik

- De eigenaar van de ladder dient erop toe te zien dat de gebruiker ervan toegang heeft tot de gebruiksaanwijzing van de ladder.
- Voordat de ladder na levering in gebruik wordt genomen, dient u te controleren of de ladder in goede staat is en of alle onderdelen naar behoren functioneren.
- Uw gezondheidstoestand dient zodanig te zijn dat u van een ladder gebruik kunt maken. Een bepaalde gezondheidssituatie, medicijnen, misbruik van alcohol of drugs kunnen een veiligheidsrisico met zich meevoeren.
- Voor een betrouwbaar gebruik van de ladder moet deze alle werkdagen wanneer de ladder wordt gebruikt eerst worden gecontroleerd (zie onder "Verzorging en onderhoud").
- In geval van beroepsmatig gebruik, dient de ladder regelmatig te worden geïnspecteerd.
- Controleer altijd of de ladder geschikt is voor de van toepassing zijnde werkzaamheden.
- Een beschadigde ladder dient niet te worden gebruikt.
- Verwijder vuil zoals, natte verf, modder, olie en sneeuw.
- Voordat de ladder in gebruik wordt genomen, dient er een risicoanalyse te worden uitgevoerd en dienen de landelijke bepalingen in acht te worden genomen.
- De ladder mag worden gebruikt en opgeslagen bij een omgevingstemperatuur van -20° C tot 60° C.

Plaatsing

- Controleer altijd of de ladder goed is vergrendeld voordat u hem gebruikt.
- De ladder dient correct te worden neergezet, d.w.z. onder een hoek van 70° in verhouding tot de ondergrond indien gebruikt als bokladder en een hoek van 60-70° indien gebruikt als opsteekladder. De sporten dienen horizontaal te staan.
- De ladder moet op een gelijkmatige, horizontale, stevige ondergrond staan. De ladder mag niet naar één zijkant overhellen, op één poot staan, of op een gladde ondergrond worden geplaatst. Als bokladder dient de ladder gelijkmatig op alle poten te worden belast.
- Als opsteekladder moet deze schuin tegen een vlakke en stevige wand worden geplaatst en

voor gebruik worden geborgd, bijvoorbeeld door de ladder vast te binden of te stabiliseren op andere geschikte wijze. Laat de ladder niet op de sporten rusten, maar op de telescopische buizen.

- De ladder mag niet van bovenaf in een nieuwe positie worden gezet.
- Denk aan het risico voor voetgangers die tegen de ladder aanlopen, auto's die er tegen aan rijden, of opengaande deuren die er tegen slaan.
- Identificeer alle elektrische gevaren op de werkplek, zoals luchtleidingen en andere niet beschermde elektrische apparatuur.
- De ladder moet op de poten rusten en niet op de sporten.
- De ladder mag niet op een gladde ondergrond worden geplaatst (bijv. gepolijste of aanzienlijk verontreinigde vlakken, tenzij er de nodige maatregelen zijn genomen om het wegglijden van de ladder te voorkomen of nadat de ondergrond goed is schoongemaakt.

Gebruik

- De ladder mag met maximaal 150 kg worden belast.
- Het is niet toegestaan om op de combiladder te staan of te klimmen indien deze niet helemaal is geopend, met of zonder kniesteunen/handgrepen en als opsteekladder bovendien uitgekapt met gestrekte band. Wanneer niet alle treden vergrendeld zijn, is de combiladder instabiel en gevaarlijk om te gebruiken.
- Als ladder moet de combiladder altijd tot volledige hoogte zijn uitgeschoven en met de achterkant tegen de muur/de steun leunen. Een treden aan de achterkant van de combiladder moet altijd ingeschoven zijn, zodat de ladder stevig staat op de voorste voeten, terwijl het achterdeel los hangt.
- U mag niet tegen de achterkant van de combiladder opklimmen, wanneer deze wordt gebruikt als ladder.
- Sta nooit op de drie bovenste sporten van de ladder wanneer deze wordt gebruikt als bokladder met kniesteun/handgreep. Sta op de sport onder het scharniergedeelte
- Sta nooit op de twee bovenste sporten van de ladder wanneer deze wordt gebruikt als bokladder zonder kniesteun/handgreep. Sta niet dichters dan 600 mm vanaf de bovenste sport van de ladder.

- Sta nooit op de drie bovenste sporten van een steekladder.
- De combiladder mag niet worden gebruikt als kruk om op te zitten of te staan.
- De ladder mag niet hangend worden gebruikt.
- De ladder mag niet ondersteboven worden uitgeschoven, ingeschoven of gebruikt.
- De ladder mag niet in horizontale stand of liggend als brug worden gebruikt.
- Gebruik de ladder niet bij vieze werkzaamheden of in vieze omgevingen. Als de ladder bijvoorbeeld wordt gebruikt bij metselen, betonwerk of schilderwerk kan het in de loop der tijd lastig zijn om de ladder schoon te maken, waardoor de werking van de telescoopfunctie nadelig zal worden beïnvloed.
- Gebruik de ladder niet in putten vol water, aangezien dit ertoe leiden dat er vuil in de telescoopbuizen komt, hetgeen de werking van de ladder nadelig zal beïnvloeden.
- Stel de telescoopbuizen niet bloot aan stoten of andere ruwe behandeling. Beschadigingen aan de buizen zijn van nadelige invloed op de telescoopfunctie.
- Strekt u zich niet te ver in zijwaartse richting. De gesp van de broekriem (navel) dient tijdens het werken altijd binnen de zijkanten van de ladder te blijven met beide voeten op dezelfde sport.
- Stap nooit van een steekladder op hogere hoogte zonder extra beveiliging, zoals het vastbinden van de ladder of d.m.v. een andere oplossing om de positie van de ladder te stabiliseren.
- Gebruik geen bokladder om op een hogere verdieping te klimmen.
- Ladders dienen alleen voor licht werk gedurende korte tijd worden gebruikt.
- Voor elektrisch werk moet een niet geleidende ladder worden gebruikt.
- Gebruik de ladder niet buitenshuis tijdens slecht weer, bijv. harde wind.
- Zie erop toe dat kinderen niet met de ladder spelen.
- Indien mogelijk, vergrendel deuren (niet de nooduitgangen) en ramen op de werkplek.
- Beklim de ladder en ga naar beneden met het gezicht richting ladder.
- Houd u tijdens naar boven en beneden klimmen goed aan de ladder vast.
- Gebruik geschikt schoeisel wanneer u de ladder gebruikt.
- Vermijd werk met te grote zijwaarts

- uitgeoeffende belasting, bijv. boren in muren of beton.
- Sta niet gedurende lange periodes op een ladder zonder regelmatig pauze te nemen (vermoeidheid vormt een risico).
- Een opsteekladder die wordt gebruikt om een hoger liggend niveau te bereiken, dient minstens 1 meter boven de afstap uit te steken.
- Gebruik alleen lichte en gemakkelijk te hanteren uitrusting tijdens werkzaamheden op de ladder.
- Houd u vast met één hand tijdens werkzaamheden op de ladder, of neem andere maatregelen indien u hier niet toe in staat bent.

Verzorging en onderhoud

Uw Combi-ladder is een precisiegereedschap. Behandel de ladder zorgvuldig zodat deze zijn unieke eigenschappen behoudt.

Houd de combiladder altijd schoon, in het bijzonder de telescopische buizen.

U mag de combiladder niet gebruiken zonder rubberen voeten (glijbescherming) en doppen. De afdichtdoppen van de ladder voorkomen dat stof, boorgruis en dergelijke in de telescoopbuizen terecht komt, hetgeen de werking van de ladder nadelig zal beïnvloeden. De rubberen voeten en doppen van de ladder zijn slijtagdelen, die door de dealer op voorraad worden gehouden. Vervang de beschermingen wanneer ze versleten beginnen te raken.

De Telescooppladder moet worden gerepareerd door een erkende reparateur. Indien de Telescooppladder moet worden gerepareerd, dient deze niet te worden gebruikt, raadpleeg uw wederverkoper.

N.B. Bestel een nieuwe gebruiksaanwijzingssticker wanneer de sticker op de ladder versleten en slecht leesbaar is. Zie het adres aan achterzijde van deze gebruikershandleiding of raadpleeg uw plaatselijke leverancier.

Controleer voor gebruik:

- of de telescoopbuizen soms zijn verbogen, verdraaid, gedeukt, gebarsten of aangetast
- of de telescoopbuizen bij de aansluitingen heel zijn
- of er soms bevestigingsonderdelen (klinknagels, bouten etc.) ontbreken, loszitten of zijn aangetast

- of er soms sporten ontbreken, loszitten, zijn versleten, aangetast of beschadigd
- of er soms rubberen voetjes, afdichtdoppen ontbreken, loszitten, zijn versleten, aangetast of beschadigd
- of de hele ladder ladder schoon is (geen vuil, modder, verf, olie of vet)
- of er soms beschadigde of aangetaste vergrendelingen zijn en of ze naar behoren functioneren.

Waarschuwing! Indien u één van bovenstaande gebreken ontdekt, de ladder niet gebruiken.

GARANTIEVOORWAARDEN

De fabrikant waarborgt dat dit product vrij is van materiaal- en fabricagefouten. In geval van materiaal- of fabricagefouten, of schade ontstaan door materiaal- of fabricagefouten, heeft de koper het recht om het product te laten repareren of te laten vervangen volgens de geldende wetgeving aangaande verkoop van consumentenproducten in het land waar het product is gekocht.

Uitgebreide garantiemvang

De fabrikant is aansprakelijk voor defecten aan het product die zich tonen gedurende één jaar vanaf de oorspronkelijke inkoopdatum.

Omvang

De fabrikant is niet verantwoordelijk voor fouten aan het product als aannemelijk kan worden gemaakt dat de fout zich voordoet omdat het

- niet is gebruikt op de manier zoals beschreven in de gebruiksaanwijzing
- niet is schoongemaakt, onderhouden, bewaard of getransporteerd volgens de gebruiksaanwijzingen
- is gemodificeerd, gewijzigd of blootgesteld aan andere externe beschadiging of ongevallen
- per ongeluk is beschadigd door andere voorwerpen of stoffen
- is overbelast
- is gerepareerd door een niet erkende servicepartner, of niet de originele reserveonderdelen zijn gebruikt
- onjuist is gemonteerd.

Geen fouten zijn

- normale slijtage
- normaal verbruik van slijtgedelen.

Reclamatie

De garantie is alleen geldig met het originele betalingsbewijs. De koper dient de verkooporganisatie binnen redelijke tijd nadat de fout is ontdekt, of binnen de tijd die de landelijke bepalingen met zich meevoeren, mede te delen dat hij/zij het product wil reclameren.

Service en reparatie

Eventuele service of reparatie moet altijd worden uitgevoerd door een erkende servicewerkplaats, die in ieder afzonderlijk geval beoordeelt wat de geschikte maatregelen zijn. Voor reparaties moeten altijd originele reserveonderdelen worden gebruikt. Raadpleeg uw verkoper voor meer informatie over de dichtstbijzijnde servicewerkplaats, of zie het adres aan achterzijde van de gebruiksaanwijzing.

Reclamatie

De garantie is alleen geldig met het originele betalingsbewijs. De koper dient de verkooporganisatie binnen redelijke tijd nadat de fout is ontdekt, of binnen de tijd die de landelijke bepalingen met zich meevoeren, mede te delen dat hij/zij het product wil reclameren.

Service en reparatie

Eventuele service of reparatie moet altijd worden uitgevoerd door een erkende servicewerkplaats, die in ieder afzonderlijk geval beoordeelt wat de geschikte maatregelen zijn. Voor reparaties moeten altijd originele reserveonderdelen worden gebruikt. Raadpleeg uw verkoper voor meer informatie over de dichtstbijzijnde servicewerkplaats, of zie het adres aan achterzijde van de gebruiksaanwijzing.

Kombistigen er en teleskopisk stige med kombinert funksjon som frittstående gardintrapp med eller uten knestøtte/håndtak og anliggende stige. Med sin unike konstruksjon kan den ekspanderes fra et kompakt format til full høyde.

For å beholde stigens egenskaper og funksjon, må du bruke, behandle og vedlikeholde kombinasjonsstigen slik det er beskrevet i bruksanvisningen.

FARE! Kombinasjonsstigen må alltid være ordentlig låst når den brukes. Kontroller alltid at alle åpne stigeseksjoner er låst før du klatrer opp i stigen. Ikke glem å kontrollere de nederste låsebøylene som ikke synes ovenfra.

A Åpne kombistigen til frittstående gardintrapp

Kombistigen låses automatisk når du åpner den.

Kombistigen skal alltid åpnes helt, til full høyde, med eller uten knestøtte/håndtak. Man skal ikke sitte, stå eller gå på kombistigen når den ikke er helt åpnet, og som frittstående gardintrapp også helt utfelt og låst med sammenfallssperren.

Åpne kombistigen:

- 1 Fjern bærehåndtaket.
- 2 Plasser kombistigen på et horisontalt og hardt underlag. Hold sammen stigesidene, og hold begge de nederste stige­trinnene nede med foten når du åpner stigen.
 - a) **Sett opp som gardintrapp med knestøtte/håndtak:**
Ta tak øverst på stigen og dra den øverste stigeseksjonen fullt ut. Fortsett å dra ut stigeseksjonene én etter én til kombistigen er helt åpnet. Kontroller at låsebøylene faller helt ned.
 - b) **Sett opp som gardintrapp:**
Ta tak i sidene på det doble stige­trinnet (hengsleddet) nedenfor knestøtten/håndtaket og dra den øverste stigeseksjonen på begge stigesidene fullt ut. Fortsett å dra ut stigeseksjonene én etter én til begge stigesidene unntatt knestøtten/håndtaket er helt åpnet. Kontroller at låsebøylene faller helt ned.
- 3 Fell ut begge sidene på kombistigen. Båndet skal være strukket helt ut og stigens vinkel skal

være 70°. Fell ut sammenfallssperren mellom stigesidene og sett den i lås.

- 4 **Kontroller at alle åpne stigeseksjoner er låst:** låsebøylene skal være felt helt ut. Ved bruk uten knestøtte/håndtak felles de øverste låsebøylene ved de stengte stigeseksjonene ikke ut.
- 5 Dersom det er behov for det, rykk i stigen slik at alle stigeseksjonene går i lås.
- 6 Når du har kontrollert at sammenfallssperren er låst og alle stigeseksjonene er låst, kan du bruke kombistigen som frittstående gardintrapp.

B Still om til anliggende stige

Kombistigen kan også brukes som anliggende stige. Slik gjør du om kombistigen til anliggende stige:

- 7 Sett opp stigen som beskrevet ovenfor (se A Sett opp kombistigen som frittstående gardintrapp).
- 8 Lås opp stigeseksjonene på stigens bakside ved å trykke inn de to nederste låsebøylene, én om gangen.
- 9 Vinkle kombistigen fremover. Skyv sammen den nederste stigeseksjonen og fest båndet rundt begge stige­trinnene slik at de holdes sammen.
- 10 **Kontroller at alle stigeseksjonene på kombistigens fremre side er låst:** låsebøylene skal være felt helt ut.
- 11 Bruk kombistigen som anliggende stige med den bakre sammenskjøvnene stigesiden hengende. Still opp stigen med en vinkel på 65-70°.

ADVARSEL! Stigen skal settes mot en slett og fast overflate og sikres før bruk, f.eks. ved å bindes fast eller stabiliseres ved hjelp av en passende anordning.

C Stenge kombistigen

Kombinasjonsstigen låses opp med de fire låsebøylene lengst nede, under de nest nederste stige­trinnene på hver stigeside.

Kombinasjonsstigen stenges slik:

- 12 Rengjør stigen dersom det trengs (se nedenfor).
- 13 Slå sammen kombistigens to sider. Dersom kombistigen er brukt som anliggende stige, løsne først båndet som fester sammen de to sammenskjøvnene bakre stige­trinnene.

- 14 Hold kombistigen oppreist og vinkle den litt bort fra deg. Hold i teleskoprørene, ikke i stigetrinnene, for å ikke klemme deg når du låser opp og lukker stigen.
- 15 Lås opp stigeseksjonene lengst fra deg ved å trykke inn de to nederste låsebøylene, én om gangen. Stigeseksjonene låses opp automatisk. Du merker at låsemekanismen løser ut ved at stigen faller litt sammen. Trykk inn begge de nederste låsebøylene på den siden av kombistigen som er nærmest deg på samme vis for å låse opp resten av stigeseksjonene. Kombistigen er nå låst opp.
- 16 Skyv stigeseksjonene forsiktig ned i hverandre.
- 17 Sett bærehåndtaket på plass.

ADVARSEL! Ikke hold hendene på eller mellom stigeseksjonene når du låser opp og lukker stigen.

D Rengjøring

Av sikkerhets- og funksjonsgrunner skal stigen alltid holdes ren, spesielt teleskoprørene og stigetrinnene. Smuss, spon, malingsflekker, lim og annet må vaskes eller tørkes bort etter hvert bruk før du lukker stigen. Gjør ren stigen med en klut med litt løsemiddel. Etter rengjøring kan teleskoprørene behandles med silikonspray. Spray rørene og tørk av med papir eller klut. Stigen skal alltid være tørr slik at det ikke fester seg støv.

E Transport og oppbevaring

Bær kombistigen i kompakt format i det løse bærehåndtaket som følger med stigen. Hekt på bærehåndtaket og trekk det lengst opp mot trinnene for å få likevekt når du bærer gardintrappen.

Transporter alltid kombinasjonsstigen helt stengt i kompakt format. Da beskyttes teleskoprørene mot støt og skader som kan svekke kombistigens funksjon. Fest stigen ordentlig ved transport på takstativ eller i lastebil, slik at den ikke skades.

Bæreveske til kombinasjonsstigen fås som tilleggsutstyr.

Kombistigen skal oppbevares

- helt lukket i kompakt format
- under forhold som ikke sliter på den (f.eks. fukt, varme, ved element)
- slik at den ikke kan ødelegges av kjøretøy, tunge gjenstander eller tilskitning

- der den ikke er i veien eller utgjør snubelfare
- slik at den ikke enkelt kan brukes til kriminelle formål, gjerne fastlåst
- sikret mot utilsiktet bruk (f.eks. av barn) dersom den er reist permanent (f.eks. ved en bygningsstilling).

Før bruk

- Stigens eiere skal sørge for at brukeren har tilgang til håndboken.
- Før første bruk etter levering bør du kontrollere at stigen er i god stand og at alle delene fungerer.
- Helsetilstanden din skal tilsa at du kan bruke stigen. Visse helsetilstander og medisiner, alkohol- eller narkotikamisbruk kan medføre sikkerhetsrisiko.
- For sikker bruk av stigen skal den inspiseres hver arbeidsdag den skal brukes for å kontrollere at den ikke er skadet, se "Skjøtsel og vedlikehold" nedenfor.
- Dersom stigen brukes profesjonelt skal den inspiseres regelmessig.
- Kontroller at stigen passer til det aktuelle arbeidet.
- Ikke bruk stigen dersom den er skadet.
- Fjern smuss som våt maling, leire, olje og snø.
- Før stigen brukes i arbeid skal det gjøres en risikoanalyse, og det skal tas hensyn til bestemmelsene i landet den brukes i.
- Stigen skal kun brukes og oppbevares i temperaturer mellom -20° C till 60° C.

Plassering

- Kontroller at stigen er ordentlig låst før du bruker den.
- Stigen skal plasseres korrekt, med en vinkel på 70° i forhold til underlaget dersom den brukes som gardintrapp, eller 60-70° dersom den brukes som anliggende stige. Stigetrinnene skal være horisontale.
- Stigen skal stå stødig på et jevnt, horisontalt og fast underlag. Stigen skal ikke helle til siden, ha en fot ubelastet eller stilles opp på glatt underlag. Som gardintrapp skal den stå med jevn belastning på samtlige føtter.
- Stigen skal settes mot en slett og fast overflate og sikres før bruk, f.eks. ved å bindes fast eller stabiliseres ved hjelp av en passende anordning. Sørg for at stigen hviler på rørene når du setter den opp, ikke på stigetrinnene.

- Stigen skal ikke flyttes til en ny posisjon ovenifra.
- Ta hensyn til risikoen for at f.eks. fotgjengere, biler eller dører kan komme borti stigen.
- Identifiser alle elrisikoeer på arbeidsplassen, som luftledninger og annet ubeskyttet elutstyr.
- Stigen må settes opp på føttene, ikke på stigetrinnene.
- Stigen skal ikke settes opp på glatt underlag (f.eks. is, blanke overflater eller svært skitne overflater), dersom det ikke er gjort tiltak for at stigen ikke skal skli eller underlaget er ordentlig rengjort.

Bruk

- Stigen kan belastes med maksimalt 150 kg.
- Du må ikke sitte, stå eller gå på kombinasjonsstigen hvis den ikke er åpnet helt, med eller uten knestøtte/håndtak, og som frittstående gardintrapp dessuten felt helt ut med båndet strammet. Hvis ikke alle trinnseksjoner er låst, er kombistigen ustabil og farlig å bruke.
- Som anliggende stige skal kombistigen alltid brukes åpnet i sin fulle høyde og med baksiden lent mot veggen/støtten. En stigeseksjon på kombistigens bakside skal alltid være skjøvet sammen slik at stigen står støtt på de fremre føttene med bakdelen hengende fritt.
- Du må ikke gå opp på kombistigens bakside når den brukes som anliggende stige.
- Ikke stå på de tre øverste stigetrinnene når kombistigen brukes som gardintrapp med knestøtte/håndtak. Stå under hengsleleddet.
- Ikke stå på de to øverste stigetrinnene når kombistigen brukes som gardintrapp uten knestøtte/håndtak. Ikke stå nærmere enn 600 mm fra stigens øverste stigetrinn.
- Ikke stå på de tre øverste stigetrinnene på en oppsatt stige.
- Kombistigen må ikke brukes låst som skammel til å stå eller sitte på.
- Stigen skal ikke brukes hengende.
- Stigen skal ikke åpnes, lukkes eller brukes opp ned.
- Stigen skal ikke brukes horisontalt eller som bro.
- Ikke bruk stigen til skittent arbeid eller i skitne miljøer. Dersom stigen brukes til f.eks. muring, betongarbeid eller maling kan den med tiden bli vanskelig å gjøre ren, og teleskopfunksjonen blir dårligere.
- Ikke bruk stigen i vannfylte brønner, det kan føre til at smuss trenger inn i teleskoprørene og nedsetter funksjonen.
- Ikke utsett teleskoprørene for slag eller annen hard behandling. Skader på rørene nedsetter teleskopfunksjonen.
- Ikke strekk deg for langt ut til siden. Brukerens beltespenne (navle) skal være innenfor stigens sider, og begge føttene skal være på samme stigetrinn under hele arbeidet.
- Ikke kliv av en oppreist stige høyt oppe i stigen uten ekstra sikring, som fastbinding av stigen eller bruk av en annen stabiliserende anordning.
- Ikke bruk gardintrapper til å klatre opp på et høyere plan.
- Stiger skal kun brukes til lettere arbeid over kort tid.
- Ikke bruk ledende stige til elarbeid.
- Ikke bruk stigen utendørs i dårlig vær, f.eks. i sterk vind.
- Se til at ikke barn leker med stigen.
- Lås dører (ikke nødutganger) og vinduer på arbeidsplassen dersom det er mulig.
- Klatre opp og ned på stigen med ansiktet mot stigen.
- Hold deg ordentlig fast i stigen når du klatrer opp og ned.
- Bruk passende sko når du bruker stigen.
- Unngå arbeid med for stor belastning mot siden, f.eks. boring i mur eller betong.
- Ikke stå lengre perioder på en stige uten regelmessige pauser (slitenhet er en risiko).
- Oppreist stige som brukes til å komme opp på et høyere plan skal stå med toppen av stigen minst en meter ovenfor avstigningsstedet.
- Bruk kun lett og letthåndterlig utstyr når du arbeider i stigen.
- Hold deg fast med en hånd når du arbeider i stigen, eller foreta andre sikkerhetstiltak dersom du ikke kan det.

Behandling og vedlikehold

Kombinasjonstigen er et presisjonsverktøy. Behandle stigen forsiktig slik at den beholder sine unike egenskaper.

Hold alltid kombistigen ren, spesielt teleskoprørene.

Kombistigen må ikke brukes uten gummiføtter (sklibeskyttelse) og toppbeskyttelse.

Toppbeskyttelsen forhindrer at støv, borrespon eller lignende kommer inn i teleskoprørene og nedsetter stigen funksjon. Stigens gummiføtter og toppbeskyttelse er slitedeler som kan skaffes av forhandleren. Bytt beskyttelsene når de begynner å bli slitte.

Teleskopstigen skal repareres av kvalifisert reparatør. Ikke bruk teleskopstigen dersom den trenger reparasjon, kontakt forhandleren.

Obs! Bestill et nytt opplysningskilt dersom skiltet på stigen begynner å bli slitt eller vanskelig å lese. Se adressen på bruksanvisningens bakside eller kontakt din lokale forhandler.

Kontroller før bruk at

- teleskoprørene ikke er bøyd, vridde, bulkete, sprukne eller korroderte
- teleskoprørene er hele ved koblingene
- beslag (bolter, skruer etc.) ikke mangler, sitter løst eller er korroderte
- stigetrinn ikke mangler, er løse, utslitte, korroderte eller skadet
- gummiføtter og toppbeskyttelse ikke mangler, er løse, utslitte, korroderte eller skadet
- hele stigen er ren (ingen smuss, leire, maling, olje eller fett)
- låseanordninger ikke er skadet eller korroderte og at de fungerer som de skal.

ADVARSEL! Ikke bruk stigen dersom du oppdager feil i henhold til ovenfor.

GARANTIVILKÅR

Produsenten garanterer at produktet er fritt for material- og produksjonsfeil. Dersom material- eller produksjonsfeil, eller skade som har oppstått pga. material- eller produksjonsfeil, kan påvises har kjøperen rett på å få produktet reparert eller byttet ut i henhold til lovene om salg av konsumentvarer som gjelder i landet hvor kjøpet ble gjort.

Utvidet garanti

Produsenten tar ansvar for feil på produktet som oppstår under ett år fra den opprinnelige kjøpsdatoen.

Dekning

Produsenten tar ikke ansvar for feil på produktet dersom det er sannsynlig at feilen kommer av at det

- ikke har blitt brukt på det viset som er beskrevet i bruksanvisningen
 - ikke er rengjort, vedlikeholdt, oppbevart eller transportert i henhold til bruksanvisningen
 - er bygget om, endret eller utsatt for annen ytre skade eller uhell
 - har blitt utilsiktet skadet av fremmede gjenstander eller emner
 - har blitt overbelastet
 - har blitt reparert av ukvalifisert servicepartner eller dersom andre reservedeler enn originaldelene har blitt brukt
 - har blitt feil installert.
- Som feil betraktes ikke
- normal slitasje
 - normalt forbruk av slitedeler.

Reklamasjon

Kjøpskvittering må fremvises for at garantien skal gjelde. Kjøperen skal underrette forhandleren om feil som han/hun vil reklamere innen rimelig tid etter at feilen ble oppdaget, eller innen tidsrommet som gjelder i landet hvor kjøpet ble gjort.

Service og reparasjon

Eventuell service eller reparasjon skal alltid utføres av et autorisert serviceverksted som i hvert tilfelle foretar en vurdering om passende tiltak. Ved reparasjon skal det alltid benyttes originale reservedeler. Kontakt din forhandler for informasjon om hvor ditt nærmeste autoriserte serviceverksted er, eller se adressen på baksiden av bruksanvisningen.

A escada combinada é uma escada telescópica que pode funcionar como escadote autoportante, com ou sem apoio dos joelhos/asa ou como escada de encostar. O seu exclusivo desenho permite a expansão desde um formato compacto até à altura máxima.

Para conservar as características e funções, deve ser usada, cuidada e mantida da forma descrita nestas instruções.

PERIGO! A escada combinada tem que estar sempre correctamente bloqueada para poder ser usada. Verifique sempre se todas as secções abertas da escada estão bloqueadas antes de subir para a escada. Não se esqueça de controlar os ganchos de bloqueio inferiores, que não são visíveis de cima.

A Abrir a escada combinada como escadote autoportante

A escada combinada bloqueia automaticamente ao ser aberta.

A escada combinada deve sempre ser aberta totalmente à altura máxima, com ou sem apoio dos joelhos/asa. Não é permitido estar sentado ou de pé sobre a escada combinada ou usar a mesma se ela não estiver totalmente aberta ou, como escadote autoportante, totalmente expandido e bloqueado com o fecho de engate.

Abrir a escada combinada:

- 1 Retire a pega para transporte
- 2 Coloque a escada combinada sobre uma base firme e nivelada. Mantenha os lados juntos e segure os dois degraus inferiores com o pé ao abrir a escada.
 - a) **Abrir como escadote com apoio dos joelhos/asa:**
Agarre na parte superior da escada e puxe a secção superior totalmente para fora. Continue a puxar as secções para fora uma a seguir à outra até a escada combinada estar totalmente aberta. Verifique se os ganchos de bloqueio caem totalmente para baixo.
 - b) **Abrir como escadote:**
Agarre nos lados do degrau duplo (charneira de articulação) abaixo do apoio dos joelhos/asa e puxe a secção superior de ambos os lados totalmente para fora. Continue a puxar as

secções uma a seguir à outra até que ambos os lados, excepto o apoio dos joelhos/asa, estejam totalmente abertos. Verifique se os ganchos de bloqueio caem totalmente para baixo.

- 3 Abra os dois lados da escada combinada. A cinta deve estar totalmente esticada e o ângulo de inclinação do escadote deve ser de 70°. Abrir o bloqueio de engate entre os dois lados do escadote e travá-lo.
- 4 **Verifique se todas as secções abertas estão bloqueadas:** Os ganchos de bloqueio devem estar totalmente abertos. Ao usar sem apoio dos joelhos/asa, os ganchos de bloqueio superiores, junto das secções fechadas, não são desdobrados.
- 5 Se for necessário, sacuda a escada para todas as secções bloquearem.
- 6 Depois de verificar se o fecho de engate está travado e que todas as secções de degraus estão bloqueadas, pode então utilizar a escada combinada como escadote autoportante.

B Passar para escada de encostar

A escada combinada também pode ser usada como escada de encostar. Para converter a escada combinada em escada de encostar:

- 7 Abra a escada, como descrito acima (ver A Abrir a escada como escadote autoportante).
- 8 Desbloqueie primeiro as secções traseiras do escadote, premindo os dois ganchos de bloqueio inferiores, um de cada vez.
- 9 Incline a escada combinada para a frente. Recolha as duas secções inferiores e prenda a correia em volta dos dois degraus para mantê-los juntos.
- 10 Verifique se todas as secções da frente da escada estão bloqueadas. Os ganchos de bloqueio devem estar totalmente abertos.
- 11 Use a escada combinada como escada de encostar, com a parte traseira, recolhida, suspensa. Colocar o escadote com um ângulo de inclinação de 65-70°.

AVISO! Antes de a usar, a escada deve ficar encostada de forma segura a uma superfície plana e rígida, ou prendendo com cintas ou estabilizada com um dispositivo adequado.

C Fechar a escada combinada

A escada combinada é desbloqueada com os quatro ganchos de bloqueio inferiores, abaixo do segundo degrau de cada lado. Recolha a escada combinada do modo seguinte:

- 12 Se for necessário limpe a escada combinada (ver abaixo).
- 13 Feche os dois lados da escada combinada. Se a escada combinada tiver sido usada como um escadote encostado, soltar primeiro a correia que fixa os dois degraus traseiros unidos.
- 14 Mantenha a escada combinada levantada e incline-a um pouco para a afastar de si. Segure os tubos telescópicos, não os degraus, para não se entalar ao desbloquear e recolher os mesmos.
- 15 Desbloqueie primeiro as secções da escada que estão mais longe, premindo os dois ganchos de bloqueio inferiores, um de cada vez. As secções são desbloqueadas automaticamente. Pode sentir-se que o mecanismo desbloqueia, quando os degraus encolhem um pouco. Aperte os dois ganchos de bloqueio inferiores da parte da escada que está mais próxima, da mesma forma como foi descrito para desbloquear as secções restantes. A escada combinada está agora desbloqueada.
- 16 Empurre cuidadosamente as secções para baixo, para dentro umas das outras.
- 17 Instale novamente a pega de transporte.

AVISO! Não ponha as mãos sobre ou entre secções de degraus quando as está a desbloquear ou recolher.

D Limpeza

Por motivos de segurança e de funcionalidade, os degraus e sobretudo os tubos telescópicos, devem ser mantidos sempre limpos. Depois de cada utilização, deve limpar qualquer sujidade, serradura, salpicos de tinta, cola ou outros antes de fechar a escada. Usar um trapo com algumas gotas de solvente. Após a limpeza, os tubos telescópicos devem ser tratados com spray de silicone. Aplicar o spray nos tubos e secar com papel ou um trapo. A escada deve estar sempre seca para não acumular pó.

E Transporte e armazenagem

Transporte sempre a escada combinada totalmente encolhida, pela pega de transporte fornecida com a mesma. Enganche a pega de transporte e puxe-a para cima em direcção às travessas dos degraus, para que a escada esteja equilibrada durante o transporte.

Transporte sempre a escada combinada totalmente recolhida, na sua forma compacta. Desse modo os tubos telescópicos ficam protegidos contra golpes e danos que prejudicar o funcionamento da escada combinada. Prender bem a escada durante o transporte, no tejadilho ou num camião, para não se danificar.

Como acessório, temos um estojo de transporte da escada combinada.

A escada combinada deve ser armazenada

- totalmente fechada, no formato compacto
- em condições que não causem desgaste (por exemplo, calor por estar próximo de um aquecedor)
- de forma a não ficar danificada pelo veículo, objectos pesados ou sujidade
- onde não esteja a estorvar ou constitua um risco de alguém tropeçar
- de forma a não que não seja fácil usar de forma críminosa, de preferência fechada à chave
- resguardada de utilização inapropriada (como por crianças) se estiver permanentemente aberta (como em andaimes de construção, por exemplo).

Antes da utilização

- O proprietário da escada deve assegurar que o utilizador tem acesso ao manual.
- Antes da primeira utilização depois da entrega, controlar se a escada está em boas condições e que todas as partes funcionam.
- O seu estado de saúde deve permitir-lhe usar a escada. Certos estados de saúde, medicamentos, álcool ou drogas podem ser um risco de segurança.
- A escada deve ser inspeccionada todos os dias que vai ser utilizada em trabalho para assegurar uma utilização segura e controlar se não há danos, ver “Cuidados e Manutenção” abaixo.
- Inspeccionar a escada regularmente se for usada profissionalmente.
- Verificar se a escada é adequada para o trabalho em questão.
- Não usar escadas danificadas.

Utilização

- Remover sujidades como tinta fresca, lama, óleo ou neve.
- Deve ser feita uma análise de riscos antes de usar a escada, e agir em conformidade com a legislação local em vigor.
- A escada deve ser usada e armazenada a uma temperatura ambiente entre -20° C a 60° C.

Colocação

- Verificar se a escada está bloqueada de forma adequada antes de a usar.
- A escada deve ser colocada correctamente, com um ângulo de inclinação de 70° em relação ao solo no caso de ser usada como escadote, ou a um ângulo de 60-70° se for utilizada como escadote encostado. Os degraus devem estar na horizontal.
- A escada deve estar estável, numa superfície plana, horizontal e rígida. A escada não deve ter inclinação lateral, nem ter nenhum dos pés sem apoio ou estar colocada sobre uma superfície escorregadia. Como escadote, deve estar com a carga bem distribuída pelos dois pés.
- Uma escada deve ficar inclinada contra uma superfície plana e rígida, segura antes de usar ou prendendo com cintas ou estabilizada com um dispositivo adequado. Incliná-la a escada contra os tubos, não contra os degraus.
- Não mover a escada para outra posição de cima.
- Ter atenção aos riscos, como peões, automóveis ou portas que possam chocar contra a escada.
- Identificar todos os riscos eléctricos no local de trabalho, como tubos de ar ou outro equipamento eléctrico sem protecção.
- A escada deve ficar colocada sobre os respectivos pés, não nos degraus.
- A escada não deve ficar colocada sobre uma superfície escorregadia (como por exemplo, superfícies escorregadias ou muito sujas) se não forem tomadas medidas para que a escada não escorregue, ou feita uma limpeza ao solo.
- A carga máxima da escada é de 150 kg.
- Não é permitido sentar-se, subir ou permanecer na escada combinada se ela não estiver totalmente aberta, com ou sem apoio dos joelhos/asa, ou como escadote autoportante sem que esteja totalmente estendida e com a cinta esticada. Se não estiverem bloqueadas todas as secções, a escada combinada é instável e perigosa de usar.
- Como escada de encostar, a escada combinada deve sempre ser usada totalmente aberta e com a parte de trás inclinada, apoiada à parede/apoio. Uma secção de trás da escada combinada deve sempre estar recolhida, para que a escada fique firmemente apoiada nos pés dianteiros, com a parte de trás suspensa livremente.
- Não é permitido usar a parte de trás da escada combinada quando esta for usada como escada de encostar.
- Não fique de pé nos três primeiros degraus se a escada combinada estiver a ser utilizada como apoio de joelho/asa. Ficar por baixo da charneira de articulação.
- Não fique de pé nos dois primeiros degraus se a escada combinada estiver a ser utilizada como escadote sem apoio de joelho/asa. Não permaneça mais próximo do que 600 mm do degrau superior da escada.
- Não permanecer nos três degraus mais acima numa escada inclinada.
- A escada combinada não deve ser usada recolhida, como banco ou cavalete.
- A escada não pode ser usada suspensa.
- A escada não pode ser aberta, recolhida ou usada de pernas para o ar.
- A escada não deve ser usada na horizontal ou como uma ponte.
- Não usar a escada em trabalhos sujos ou em ambientes contaminados. Se por exemplo a escada for usada em trabalhos de alvenaria, betão armado ou pintura, pode com o passar do tempo ser difícil mantê-la limpa, prejudicando assim o funcionamento telescópico.
- Não usar a escada em poços com água para evitar o risco de mau funcionamento devido à penetração de lama ou sujidade nos tubos telescópicos.
- Não expor os tubos telescópicos a golpes ou tratamentos violentos. Danos nos tubos

- prejudicam o funcionamento telescópico.
- Não se incline demais para os lados. Durante o trabalho, a fivela do cinto do utilizador (umbigo) deve permanecer entre os lados da escada e os dois pés no mesmo degrau.
- Não descer de uma altura mais alta de uma escada encostada sem segurança, como fixações ou um mecanismo de estabilização adequado.
- Não utilizar escadotes para subir para um plano mais elevado.
- Usar a escada apenas para trabalhos mais leves, durante períodos curtos.
- Utilize escadas não condutoras para trabalhos de electricidade.
- Não usar a escada no exterior se estiver mau tempo, como por exemplo, ventos fortes.
- Assegurar que crianças não brincam com a escada.
- Fechar portas (não as saídas de emergência) e janelas do local de trabalho, se possível.
- Subir e descer com a face virada para a escada.
- Segurar-se muito bem à escada ao subir ou descer.
- Usar sapatos adequados para trabalhar com a escada.
- Evitar trabalhos com cargas laterais demasiado grandes, como perfurações em tijolo ou betão.
- Não permanecer demasiado tempo em cima da escada sem fazer pausas regulares (a fadiga é um risco).
- Escadas inclinadas usadas para aceder a um nível mais alto, devem estar pelo menos 1 metro acima do local de saída.
- Usar apenas equipamentos leves e fáceis de manusear para trabalhar na escada.
- Segurar-se bem com uma mão enquanto está a trabalhar em cima da escada, ou tomar outras medidas de segurança se isso não for possível.

Cuidados e manutenção

A sua escada combinada é uma ferramenta de precisão. Trate a escada com cuidado para que mantenha as suas propriedades únicas.

Mantenha sempre a escada combinada limpa, especialmente os tubos telescópicos.

A escada combinada não deve ser usada sem pés de borracha (protecção contra escorregamento) e protecção de topo. As protecções do topo impedem a penetração de pó, aparas ou semelhante nos tubos telescópicos, o que pode prejudicar o bom funcionamento da escada. Os pés de borracha e as protecções do topo são peças de desgaste, mantidas em armazém pelo revendedor. Substituir as protecções assim que começarem a mostrar sinais de desgaste.

A escada telescópica deve ser reparada apenas por técnicos devidamente qualificados. Não usar uma escada telescópica que necessita de reparações; por favor contactar o revendedor.

NOTA! Se a etiqueta adesiva da escada começar a mostrar desgaste ou ficar pouco legível, encomende uma nova. Veja o endereço na página traseira das instruções de utilização ou entre em contacto com o seu revendedor local.

Antes de utilizar verificar se

- os tubos telescópicos não estão dobrados, torcidos, amolgados, rachados ou corroídos
- os tubos telescópicos estão intactos nas ligações
- não faltam fixações (rebites, parafusos, etc.), nem estão soltos nem corroídos
- não faltam degraus, nem estão soltos, gastos, corroídos ou danificados
- não faltam pés de borracha nem protecções de topo, nem estão soltos, gastos, corroídos ou danificados
- a escada está toda limpa (sem sujidade, lama, tinta, óleo ou massa)
- os mecanismos de bloqueio não apresentam danos nem corrosão, e funcionam como previsto.

AVISO! Não usar a escada se detectar alguma das falhas acima descritas.

CONDIÇÕES DE GARANTIA

O fabricante garante que o produto não contém defeitos de material ou de fabrico. Se ocorrerem defeitos no material ou fabrico, ou se ficar comprovado que ocorreram danos devido a defeito do material ou do fabrico, o comprador tem o direito de receber o produto devidamente reparado ou trocado, de acordo com a legislação em vigor no país da compra sobre a venda de produtos de consumo.

Âmbito da garantia adicional

O fabricante responsabiliza-se por avarias no produto que ocorram durante um ano, a contar da data de compra original.

Âmbito

O fabricante não é responsável pelo produto se a causa provável da avaria for atribuível a

- uso de forma não descrita nas instruções de utilização
 - limpeza, cuidados, manutenção, armazenagem ou transporte não foram efectuados de acordo com o manual de utilização.
 - transformação, alteração ou danos físicos causados por agentes externos ou acidentalmente
 - danos acidentais por objectos ou substâncias estranhas
 - sobrecarga.
 - reparações efectuadas por pessoal não qualificado ou se foram usadas outras peças que não são de origem
 - montagem incorrecta
- Não são considerados como avaria
- desgaste normal
 - consumo normal de peças de desgaste.

Reclamação

É necessário apresentar o recibo de compra para que a garantia tenha validade. O comprador deve informar o revendedor sobre o defeito que pretende reclamar dentro de um período considerado razoável depois de ter sido detectado o defeito, ou no período regulamentado no país da compra.

Assistência técnica e reparação

Eventual assistência técnica ou reparação deverá sempre ser realizada por oficina autorizada que, em cada caso específico, deverá decidir sobre as medidas mais adequadas. Usar sempre peças sobressalentes de origem para reparações. Contactar o revendedor para obter informações sobre a oficina de assistência técnica mais próxima, ou ver o endereço no verso do manual.

Kombistegen är en teleskopisk stege med kombinerad funktion som fristående trappstege med eller utan knästöd/handtag och som anliggande stege. Genom sin unika konstruktion kan den expanderas från ett kompakt format till full höjd.

För att behålla stegens egenskaper och funktion måste du använda, sköta och underhålla den på det sätt som beskrivs i bruksanvisningen.

WARNING! Kombistegen måste alltid vara ordentligt låst när den används. Kontrollera alltid att alla öppna stegsektioner är låsta innan du klättrar upp på stegen. Glöm inte att kontrollera de nedersta låsbyglarna som inte syns ovanifrån.

A Öppna kombistegen till fristående trappstege

Kombistegen låses automatiskt när du öppnar den.

Kombistegen ska alltid öppnas helt, till full höjd med eller utan knästöd/handtag. Du får inte sitta, stå eller gå på kombistegen om den inte är helt öppnad, och som fristående trappstege också helt utfälld och låst med ihopskjutningsspärren.

Öppna kombistegen:

- 1 Ta bort bärhandtaget.
- 2 Placera kombistegen på ett horisontellt och hårt underlag. Håll ihop stegsidorna och håll ner de båda nedersta stegpinnarna med en fot när du öppnar stegen.
- a) **Öppna till trappstege med knästöd/handtag:**
Ta tag längst upp på stegen och dra ut översta stegsektionen fullt. Fortsätt dra ut stegsektionerna en efter en tills kombistegen är helt öppnad. Kontrollera att låsbyglarna faller ner helt och hållet.
- b) **Öppna till trappstege:**
Ta tag på sidorna av den dubbla stegpinnen (gångjärnsleden) nedanför knästödet/handtaget och dra ut båda stegsidornas översta stegsektion fullt. Fortsätt dra ut stegsektionerna en efter en tills båda stegsidorna utom knästödet/handtaget är helt öppnade. Kontrollera att låsbyglarna faller ner helt och hållet.
- 3 Fäll ut kombistegens båda sidor. Bandet ska vara helt utsträckt och stegens lutningsvinkel

70°. Fäll ut ihopskjutningsspärren mellan de båda stegsidorna och lås fast den.

- 4 **Kontrollera att alla öppna stegsektioner är låsta:** låsbyglarna ska vara helt nerfällda. Vid användning utan knästöd/handtag fälls de översta låsbyglarna vid de stängda stegsektionerna inte ut.
- 5 Om det behövs, rucka stegen så att alla stegsektioner faller i låst läge.
- 6 När du har kontrollerat att ihopskjutningsspärren är låst och alla stegsektioner är i låst läge, kan du använda kombistegen som fristående trappstege.

B Ställ om till anliggande stege

Kombistegen används även som anliggande stege. Ställ om kombistegen till anliggande stege så här:

- 7 Öppna stegen så som beskrivits ovan (se A Öppna kombistegen till fristående trappstege).
- 8 Lås upp stegsektionerna på stegens baksida genom att trycka in de två nedersta låsbyglarna, en i taget.
- 9 Luta kombistegen framåt. Skjut ihop den nedersta stegsektionen och fäst remmen om de båda stegpinnarna så att de hålls ihop.
- 10 **Kontrollera att alla stegsektioner på kombistegens främre stegsida är låsta:** låsbyglarna ska vara helt utfällda.
- 11 Använd kombistegen som anliggande stege med den bakre hopskjutna stegsidan hängande. Ställ upp stegen med 65-70° lutningsvinkel.

WARNING! Den anliggande stegen ska lutas mot en slät och fast yta och säkras före användning, t.ex. genom att bindas fast eller med hjälp av en passande anordning som säkerställer stabiliteten.

C Stäng kombistegen

Kombistegen låses upp med de fyra låsbyglarna längst ner, under de näst nedersta stegpinnarna på varje stegsida. Stäng kombinationsstegen så här:

- 12 Gör ren kombistegen om det behövs (se nedan).
- 13 Fäll ihop kombistegens båda sidor. Om kombistegen använts som anliggande stege, lossas först remmen som fäster de två hopskjutna bakre stegpinnarna.
- 14 Håll kombistegen upprätt och luta den något bort från dig. Håll i teleskoprören, inte

i stegpinnarna, för att inte klämma dig när du låser upp och stänger stegen.

- 15 Lås först upp stegsektionerna längst ifrån dig genom att trycka in de två nedersta låsbyglarna, en i taget. Stegsektionerna låses upp automatiskt. Du märker att låsmekanismen löser ut genom att stegen faller ihop något. Tryck in de båda nedersta låsbyglarna på den sida av kombistegen som är närmast dig, på samma sätt, för att låsa upp resten av stegsektionerna. Kombistegen är nu upplåst.
- 16 Skjut försiktigt ner stegsektionerna i varandra.
- 17 Sätt tillbaka bärhandtaget.

WARNING! Håll inte händer på eller mellan stegsektionerna när du låser upp och stänger stegen.

D Rengöring

Av säkerhets- och funktionsskäl ska stegen alltid hållas ren, i synnerhet teleskoprören och stegpinnarna. Smuts, spån, färgstänk, lim och annat måste tvättas eller torkas bort efter varje användning innan du stänger stegen. Gör ren stegen med en trasa med lite lösningsmedel. Efter rengöring kan teleskoprören behandlas med siliconspray. Spraya rören och torka torrt med papper eller trasa. Stegen skall alltid vara torr för att inte binda damm.

E Transport och förvaring

Bär kombistegen i kompakt format i det lösa bärhandtaget som följer med stegen. Haka på bärhandtaget och dra det längst upp mot stegpinnarna för att få jämvikt när du bär stegen.

Transportera alltid kombistegen helt stängd i kompakt format. Då skyddas teleskoprören mot stötar och skador som kan försämra kombistegens funktion. Sätt fast stegen ordentligt vid transport på takräcke eller i lastbil så att den inte skadas.

Bärväska till kombinationsstegen finns som tillbehör.

- Kombistegen ska förvaras
- helt stängd i kompakt format
- i förhållanden som inte sliter på den (t.ex. fukt, hetta, vid element)
- så att den inte kan förstöras av fordon, tunga föremål eller förorening
- där den inte är i vägen eller utgör snubbelrisk
- så att den inte enkelt kan användas i kriminellt syfte, gärna fastlåst

- försäkrad från olämplig användning (t.ex. av barn) om den är rest permanent (t.ex. vid byggnadsställning).

Före användning

- Stegens ägare ska se till användaren har tillgång till handboken.
- Före första användning efter leverans bör du kontrollera att stegen är i gott skick och att alla delar fungerar.
- Ditt hälsotillstånd ska medge att du använder stegen. Vissa hälsotillstånd, mediciner, alkohol- eller drogmisbruk, kan medföra säkerhetsrisk.
- För säker användning av stegen ska den inspekteras varje arbetsdag den ska användas för att kontrollera att ingen åverkan är gjord, se "Skötsel och underhåll" nedan.
- Om stegen används professionellt ska den inspekteras regelbundet.
- Kontrollera att stegen passar aktuellt arbete.
- Använd inte skadad stege.
- Ta bort smuts som våt färg, lera, olja och snö.
- Innan stegen används i arbete ska en riskanalys göras och bestämmelserna i landet den används beaktas.
- Stegen får användas och förvaras i omgivande lufttemperatur -20° C till 60° C.

Placering

- Kontrollera att stegen är ordentligt låst innan du använder den.
- Stegen ska placeras korrekt, med en lutningsvinkel på 70° i förhållande till marken om den används som trappstege eller 60-70° om den används som anliggande stege. Stegpinnarna ska vara horisontella.
- Stegen ska stå stadigt på ett jämnt, horisontellt och fast underlag. Stegen får inte luta i sidled, ha en fot obelastad eller ställas upp på halt underlag. Som trappstege ska den stå med jämn belastning på samtliga fötter.
- Anliggande stege ska lutas mot en slät och fast yta och säkras före användning, t.ex. genom att bindas fast eller stabiliseras med hjälp av en passande anordning. Luta inte stegen mot stegpinnarna, utan mot rören.
- Stegen får inte flyttas till en ny position ovanifrån.
- Beakta risken att t.ex. fotgängare, bilar eller dörrar krockar med stegen.
- Identifiera alla elrisker på arbetsplatsen, som

- luftledningarna och annan oskyddad elutrustning.
- Stegen måste ställas upp på sina fötter, inte på stegpinnarna.
- Stegen får inte ställas på halt underlag (t.ex. is, blank yta eller betydligt nedsmutsad yta), om inte åtgärder vidtas för att stegen inte ska glida eller att underlaget görs ordentligt rent.

Användning

- Stegen får belastas med maximalt 150 kg.
- Som anliggande stege ska kombistegen alltid användas öppnad i sin fulla höjd och lutad med baksidan mot väggen/stödet. En stegsektion på kombistegens baksida ska alltid vara hopskjuten så att stegen står stadigt på de främre fötterna med bakdelen fritt hängande.
- Du får inte gå upp på kombistegens baksida när den används som anliggande stege.
- Du får inte sitta, stå eller gå upp på kombistegen om den inte är helt öppnad med eller utan knästödhandtag, och som fristående trappstege dessutom utfälld med bandet sträckt. Om inte alla stegsektioner är låsta är kombistegen instabil och farlig att använda.
- Stå inte på de tre översta stegpinnarna när kombistegen används som trappstege med knästödhandtag. Stå under gångjärnsleden.
- Stå inte på de två översta stegpinnarna när kombistegen används som trappstege utan knästödhandtag. Stå inte närmare än 600 mm från stegens översta stegpinne.
- Stå inte på de tre översta stegpinnarna på en anliggande stege.
- Kombistegen får inte användas stängd som sitt- eller ståpall.
- Stegen får inte användas hängande.
- Stegen får inte öppnas, stängas eller användas upp och nervänd.
- Stegen får inte användas i horisontellt läge eller som bro.
- Använd inte stegen vid smutsiga arbeten eller i smutsiga miljöer. Om stegen exempelvis används vid murning, betongarbeten eller målning kan den med tiden bli svår att göra ren och teleskopfunktionen försämras.
- Använd inte stegen i vattenfyllda brunnar, det kan göra att smuts tränger in i teleskoprören och försämrar funktionen.
- Utsätt inte teleskopröret för slag eller annan omild behandling. Skador på röret försämrar teleskopfunktionen.
- Sträck dig inte för långt ut åt sidan.

- Användarens skärpsänne (navel) ska vara innanför stegens sidor och båda fötterna på samma stegpinne hela tiden under arbetet.
- Kliv inte av en anliggande stege på en högre höjd utan ytterligare säkring, som fastbindning av stegen eller användande av lämplig stabiliserande anordning.
- Använd inte trappstegar till att klättra upp på ett högre plan.
- Stegar ska bara användas till lättare arbete under kort tid.
- Använd icke ledande stege till elarbeten.
- Använd inte stegen utomhus vid dåligt väder, t.ex. i stark vind.
- Se till att inte barn leker med stegen.
- Lås dörrar (inte nödutgångar) och fönster på arbetsplatsen om det går.
- Klättra upp och ner på stegen med ansiktet mot stegen.
- Håll dig ordentligt fast i stegen när du klättrar upp och ner.
- Använd lämpliga skor när du använder stegen.
- Undvik arbete med för stor belastning åt sidan, t.ex. borrar i mur eller betong.
- Stå inte långa perioder på en stege utan att ta paus regelbundet (trötthet är en risk).
- Anliggande stege som används till att komma upp till ett högre plan ska stå med minst 1 meter ovanför avstigningsplatsen.
- Använd bara lätt och lätthanterlig utrustning när du arbetar på stegen.
- Håll dig fast med en hand när du arbetar på stegen, eller vidtag andra säkerhetsåtgärder om du inte kan det.

Skötsel och underhåll

Din kombistege är ett precisionsverktyg. Behandla stegen varsamt så att den behåller sina unika egenskaper.

Håll alltid kombistegen ren, i synnerhet teleskopröret.

Kombistegen får inte användas utan gummifötter (glidskydd) och toppskydd. Toppskydden förhindrar att damm, borrspån eller liknande kommer in i teleskopröret och försämrar stegens funktion. Stegens gummifötter och toppskydd är förslitningsdetaljer som tillhandahålls av återförsäljaren. Byt skydden när de börja bli slitna.

Teleskopstegen ska repareras av kvalificerad reparatör. Använd inte teleskopstegen om den behöver repareras, kontakta återförsäljaren.

OBS! Beställ en ny anvisningsdekal om dekalen på stegen börjar bli slitna och svårsläst. Se adress på bruksanvisningens baksida eller kontakta din lokala återförsäljare.

Kontrollera före användning att

- teleskopröret inte är böjda, vridna, tillbucklade, spruckna eller anfrätta
- teleskopröret är hela vid anslutningar
- beslag (nitar, skruvar etc.) inte saknas, sitter löst eller är anfrätta
- stegpinnar inte saknas, är lösa, utslitna, anfrätta eller skadade
- gummifötter och toppskydd inte saknas, är lösa, utslitna, anfrätta eller skadade
- hela stegen är ren (ingen smuts, lera, färg, olja eller fett)
- låsanordningar inte är skadade eller anfrätta och att de fungerar som de ska.

WARNING! Använd inte stegen om du upptäcker brister enligt ovan.

GARANTIVILLKOR

Tillverkaren garanterar att produkten är fri från material- och tillverkningsfel. Om material- eller tillverkningsfel, eller skada som uppstått p.g.a. material- eller tillverkningsfel, kan påvisas, har köparen rätt att få produkten reparerad eller utbytt enligt de lagar om försäljning av konsumentvaror som gäller i landet för inköp.

Utökad garantiomfattning

Tillverkaren ansvarar för fel på produkten som uppstår under ett år från den ursprungliga inköpsdagen.

Omfattning

Tillverkaren ansvarar inte för fel på produkten om det kan göras sannolikt att felet beror på att den

- inte använts på det sätt som beskrivs i bruksanvisningen
 - inte rengjorts, skötts, underhållits, förvarats eller transporterats enligt bruksanvisningen
 - byggts om, ändrats eller utsatts för annan yttre skada eller olyckshändelse
 - oavsiktligt skadats av främmande föremål eller ämnen
 - överbelastats
 - reparerats av obehörig servicepartner eller om andra reservdelar än originaldelar har använts
 - installerats felaktigt.
- Som fel betraktas inte
- normal förslitning
 - normal åtgång av förslitningsdetaljer.

Reklamation

För att garantin ska gälla måste inköpskvittot uppvisas. Köparen ska underrätta återförsäljaren om fel som han/hon vill reklamera inom skälig tid efter det att felet upptäckts, eller inom den tid som föreskrivs i landet för inköp.

Service och reparation

Eventuell service eller reparation ska alltid göras av en auktoriserad serviceverkstad som i varje enskilt fall gör en bedömning om lämplig åtgärd. Vid reparation ska alltid originalreservdelar användas. Kontakta din återförsäljare för att få veta var närmaste auktoriserade serviceverkstad finns, eller se adress på bruksanvisningens baksida.

Kombinasyon merdivenleri, diz desteği/destek kolu bulunan ya da bulunmayan türleriyle, ayarlanabilen teleskopik çift işlevli kombine bir merdivendir. Benzersiz yapısı sayesinde, birleşik bir şekilden, uzun bir şekil alabilmektedir.

Merdivenin özelliklerini ve fonksiyonlarını koruyabilmemiz için kombinasyon merdivenleri, kullanma kılavuzunda belirtildiği şekilde kullanmanızı ve bakımını yapmanız gerekmektedir.

UYARI! Kombinasyon merdivenleri kullanılırken, üzerine çıktığınız merdivenin ön yüzünün her zaman kilitli olduğundan emin olmalısınız. Bu sebeple merdivene çıkmadan önce basamakların kilitli olup olmadığını kontrol ediniz. Üst taraftan görünmeyen alt kısımdaki kilit ünitesinin kilitli olup olmadığını kontrol etmeyi unutmayınız.

A Kombinasyon merdivenini açık merdiven haline getirme

Çok amaçlı merdiven, açılır açılmaz otomatik olarak kilitlenir.

Çok amaçlı merdiven diz desteği/tutacak bulunsun ya da bulunmasın her zaman tam yükseklkte açılmalıdır. Tamamıyla açılmamış çok amaçlı merdivende oturamaz, üzerine çıkamaz, üzerinde duramaz ya da yürüemezsiniz, merdiveni dayamasız seyyar bir merdiven olarak kullanırken de tamamen açılmış ve tutucu kanca ile kilitli halde olmadan sayılı eylemleri gerçekleştiremezsiniz.

Çok amaçlı merdiveni açmak:

- 1 Taşıma kolunu kaldırın.
- 2 Çok amaçlı merdiveni yatay ve sert bir zemine yerleştirin. Merdivenin iki yanından tutarak, bir ayağınızla en alttaki basamaklara ayağınızı geçirecek ve basamağı iterek merdiveni açın.
 - a) **Diz desteği/tutacak ile seyyar merdiven haline açmak:**
Merdivenin en üstünden tutarak en üst kısmı tamamıyla açın. Daha sonra tüm basamaklar açılıncaya kadar sırayla açma işlemine devam edin. Kilit mandallarının tamamen aşağı düştüğünden emin olun.
 - b) **Seyyar merdiven olarak açmak:**
Diz desteği/tutacağın altındaki çiftli basamak çubuklarını (menteşe birleşim yeri) yanlarından

tutun; daha sonra merdivenin yanlarından çekerek en üst basamağın açılmasını sağlayın. Merdiven basamaklarını, bir bir, diz desteği/ tutacak haricinde tamamen açılıncaya kadar merdiven yanlarına doğru asılarak çekmeye devam edin. Kilit mandallarının tamamen aşağı düştüğünden emin olun.

- 3 Çok amaçlı merdivenin her iki yanını açın. Band tamamen gergin olacaktır ve merdivenin eğim açısı 70° olacaktır. Tutucu kancayı merdivenin her iki ayağının arasında sağlam bir şekilde kilitleyin.
- 4 **Tüm açık merdiven basamaklarının kilitli olduğundan emin olun:** kilit mandalları tamamen düşmüş olmalıdır. Diz desteği/ tutacak olmadan kullanımda, kapalı merdiven basamaklarındaki en üst kilit mandalları düşürülmez.
- 5 Gerekirse, merdiveni, tüm merdiven basamakları kilitli konuma gelecek şekilde ayarlayın.
- 6 Tutucu kancanın kilitli olduğunu ve tüm basamakların kilitli konumda olduğunu kontrol ettikten sonra, çok amaçlı merdiveni dayamasız seyyar merdiven olarak kullanabilirsiniz.

B Kurulabilen merdivene dönüştürme

Çok amaçlı merdiven dayamalı merdiven olarak da kullanılır. Çok amaçlı merdiveni, dayamalı merdivene aşağıda anlatıldığı gibi dönüştürün:

- 7 Yukarıda da belirtildiği gibi merdiveninizi tamamıyla açın. (Kombinasyon merdivenini açık merdiven şekline getirmeyi açıklayan kısım A'ya bakınız).
- 8 Merdivenin arkasında bulunan basamakların kilidini, en alttaki iki kilit mandalına sırayla basarak açın.
- 9 Çok amaçlı merdiveni öne doğru dayayın. En alt basamakları bir araya getirin ve bir arada durmaları için her iki merdiven basamağını da sıkıca sabitleyin.
- 10 **Ön taraftaki merdiven basamaklarının kilitli olduğundan emin olun:** kilit mandalları tamamen düşmüş olmalıdır.
- 11 Çok amaçlı merdiveninizi dayamalı merdiven olarak kullanırken arka basamak ünitesinin sabit olarak bağlanmış olması gerekmektedir. Merdiveni 65-70° dayanma açısı ile kurun.

UYARI! Ayaklı merdiven düz ve sağlam bir yüzeye dayandırılmalı ve kullanımdan önce güvenliği sağlanmalıdır, örn.; stabilliği garantileyen uygun bir düzenek yardımıyla sağlamlaştırma veya sabitleyerek bağlama yoluyla.

C Kombinasyon merdiveni kapatma

Kombinasyon merdivenleri en alt kısımda yer alan dört adet kilidin açılmasıyla açılır. Bu bölümler en alttaki basamakların merdiven çubuklarında yer alan kilitlerdir. Kombinasyon merdiveni aşağıdaki belirtildiği gibi kapatılır:

- 12 Gerekliyse çok amaçlı merdiveni temizleyin (alt kısma bakınız).
- 13 Merdiven gövdesini iki yanından tutun. Çok amaçlı merdiven, dayamalı merdiven olarak kullanıldıysa, ilk olarak iki bitişik arka basamak serbestleştirilir.
- 14 Çok amaçlı merdiveni dik ve kendinizden biraz uzakta tutun. Merdiveni açtığınızda ve kapattığınızda bir yerinizi sıkıştırmanızı için basamaklardan değil teleskopik borudan kavrayın.
- 15 En alt kısımda yer alan iki kilit mandalına basarak, sizden en uzakta olandan başlayarak merdiven basamaklarını sırayla kapatın. Merdiven basamakları otomatik çözülerek kapanır. Merdivenin hafif çökmesi yoluyla, kilit mekanizmasının çözüldüğünü farkedersiniz. En alttaki her iki kilit mandalına, çok amaçlı merdivenin size en yakın olan tarafından basın, aynı şekilde diğer geri kalan merdiven basamakları da indirin. Çok amaçlı merdiveniniz şimdi kapanmıştır.
- 16 Merdiven basamaklarını dikkatli bir şekilde birbirine yaklaştırın.
- 17 Taşıma kolunu geri yerleştirin.

UYARI! Merdiveni açarken ve kapatırken, ellerinizi basamakların üzerinde veya arasında tutmayınız.

D Temizleme

Güvenlik ve fonksiyonel sebeplerden ötürü merdiven her zaman temiz tutulmalıdır, özellikle teleskopik boru ve basamaklar. Kir, talaş, boya sıçraması, tutkal ve diğerleri, her kullanımdan sonra merdiveni kapatmadan önce, yıkanarak veya kurutularak çıkartılmalıdır. Merdiveni bir çaput kullanarak biraz çözücü ile temizleyiniz. Temizlemeden sonra, teleskopik boru silikon sprey ile elden geçirilebilir. Boruyu spreyleyin ve kağıt veya çaputla kurulayın. Merdiven toz bağlamaması için her zaman kuru olmalıdır.

E Nakletme ve Saklama

Kombinasyon merdivenini, tutacağından tutarak kapalı bir şekilde taşıyınız. Merdiveni bir yerden bir yere taşırken her zaman tamamen kapalı bir şekilde taşıyınız.

Bu, teleskopik tüplere gelecek olası bir darbe ya da hasarın merdivenin işlevselliğine zarar vermesini engelleyecektir. Nakil esnasında merdiveni, üst bagajda veya kamyonunda, zarar görmemesi için, düzgün bir şekilde sabitleyiniz.

Kombinasyon merdiveni için taşıma çantası ayrıca satılmaktadır.

Çok amaçlı merdiven şu şekilde saklanacaktır

- Kompakt durumda tamamen kapalı şekilde
- aşınmayacağı bir konumda (örn. ıslak, ısı, radyatör kenarında)
- taşittan, ağır eşyadan veya kirletici maddeden zarar görmeyecek şekilde
- yol üstünde durmayacak şekilde ve takılma riskine e yol açmayacak şekilde
- kolayca suç amaçlı kullanılmayacak şekilde, mümkünse kilitli olarak
- uygunsuz kullanımını önleyecek şekilde (örn. çocuklar tarafından) eğer sürekli kalıyorsa (örn. yapı iskelesinde).

Kullanmadan Önce

- Merdivenin sahibi, kullanıcının kılavuz kitaba ulaşma olanağının bulunduğundan emin olur.
- İlk kullanımdan önce teslimden sonra merdivenin iyi durumda olduğunu ve tüm parçaların çalışır halde olduklarını kontrol etmeniz gerekmektedir.
- Sağlık durumunuz merdiven kullanımına el vermedir. Bazı sağlık durumları, ilaçlar, alkol veya uyuşturucunun aşırı kullanımı, güvenlik risklerine yol açabilir.

- Merdivenin güvenli kullanımı için, hiç bir zarar görmemiş olduğunun kontrolü için, kullanılacağı her iş günü incelenmelidir, bkzn. "Bakım ve Koruma".
- Eğer merdiven profesyonel olarak kullanılacaksa, düzenli olarak incelenmelidir.
- Yapılmakta olan işe uygun olup olmadığını kontrol ediniz.
- Hasarlı merdiveni kullanmayınız.
- Islak boya, toprak, çamur, yağ, kar gibi kirleri çıkarınız.
- Merdiven işte kullanılmadan önce risk analizi yapılır ve kullanılacağı ülkedeki yürürlükteki kurallar geçerlidir.
- Merdiven -20° C ile 60° C arası çevre hava sıcaklığında kullanılmalı ve saklanmalıdır.

Yerleştirme

- Kullanmadan önce düzgün bir şekilde kilitli olduğunu kontrol ediniz.
- Merdiven doğru bir şekilde, seyyar merdiven olarak kullanılacaksa yer ile 70° ya da ayaklı merdiven olarak kullanılacaksa yer ile 60°-70° eğim açısı yapacak şekilde yerleştirilmelidir. Basamaklar yatay olacaktır.
- Merdiven düz, yatay ve sağlam bir zemin üzerinde sabit bir şekilde dikilmelidir. Merdiven yana eğilmemeli, oturmamış bir ayağı bulunmamalı ya da kaygan zemine konmamalıdır. Seyyar merdiven olarak kullanıldığında, iki ayak üzerinde eşit yük olacak şekilde durulmalıdır.
- Dayamalı merdiven düz ve sağlam bir yüzeye dayandırılmalı ve kullanımdan önce güvenliği sağlanmalıdır, örn.; uygun bir düzenek yardımıyla sağlamlaştırma veya sabitleyerek bağlama yoluyla. Merdiveni, boruyu dayanmadan, basamağa dayamayınız.
- Merdiven yukarıdan yeni bir pozisyona taşınmamalıdır.
- Örnek olarak yaların, arabaların veya kapıların merdivenle çarpışma riskini göz önünde tutunuz.
- İş yerindeki tüm elektrik risklerini tanımlayınız, elektrik direği kabloları ve diğer korunaklı olmayan elektrik teçhizatı gibi.
- Merdiven basamaklar üzerine değil, ayaklarının üzerine konmalıdır.
- Merdiven kaygan zemin üzerine koyulmamalıdır (örn. buz, parlak yüzey veya ciddi derecede baştan aşağı kirletilmiş yüzey), eğer merdiven kaymasın diye önlemler

alınmamışsa, zeminin temizliği düzgün yapılmamış ise.

Kullanım

- Merdivene en fazla 150 kg yük binmelidir.
- Kombinasyon merdiveni diz desteği/destek kolu bulunan ya da bulunmayan şekliyle tam olarak açık değilse, üzerinde oturmayınız ve üzerine çıkmayınız, serbest merdiven olarak kullanılacağı zaman taşıyıcı şeridin gergin olmasına dikkat ediniz. Basamaklar üniteleri kilitli değilken kombinasyon merdivenini kullanmak tehlikelidir.
- Ayarlanabilen bir merdiven olan kombinasyon merdiveni, tam boy olarak ve arka kısmı duvara/desteğe dayalı olarak korunmalıdır. Kombinasyon merdivenin arka kısmında yer alan basamak ünitesinin her zaman birlikte itilmiş olması gerekmektedir, böylece arka kısmın serbest bir şekilde kalması sağlanır.
- Kombinasyon merdivenin arka kısmına, ayarlanabilir merdiven olarak kullandığınız zaman çıkmayınız.
- Çok amaçlı merdiven diz desteği/tutacak ile seyyar merdiven olarak kullanıldığında en üstteki üç basamakta durmayınız. Menteşe birleşim yerinin altında durunuz.
- Çok amaçlı merdiven diz desteği/tutacak ile seyyar merdiven olarak kullanıldığında en üstteki iki basamakta durmayınız. Merdivenin en üst basamağından 600 mm'den daha yakın mesafede durmayınız.
- Dayamalı olan dayamalı bir merdivende, en üst üç basamakta durmayınız.
- Kombinasyon merdiveni kapalıyken oturma ya da üzerine durma gereci olarak kullanılmaz.
- Merdiven asılı olarak kullanılmamalıdır.
- Merdiven başaşağı olacak şekilde açılmamalı, kapatılmamalı veya kullanılmamalıdır.
- Merdiven yatay konumda veya kötü olarak kullanılmamalıdır.
- Merdiveni kirli işlerde ve kirli çevrelerde kullanmayınız. Örnek olarak, eğer tuğla duvar örmede, betonlamada veya boyamada kullanılırsa, zamanla temizlenmesi zorlaşır ve teleskopik fonksiyon bozulur.
- Su dolu kuyularda kullanmayınız, bu teleskopik borunun içine kirlerin işlenmesini sağlayabilir ve fonksiyonu bozar.
- Teleskopik boruyu darbeye veya diğer bir sert muameleye mağruz bırakmayınız. Borudaki hasarlar teleskopik fonksiyonu bozar.

- Yana doğru çok fazla uzanmayınız. Kullanıcının kemer tokası (göbek çukuru) merdivenin kenarlarının içinde olmalı ve iş sırasında, iş süresi boyunca, her iki ayak aynı basamakta olmalıdır.
- Merdivenin sıkıca bağlanması veya elverişli sabitleyici bir düzenek kullanmak gibi ek önlemler almadan çok yüksekteki dayanmış dayamalı merdivene büyük adımlarla çıkmayınız.
- Seyyar merdivenleri bir üst kata çıkmak için kullanmayınız.
- Merdivenler kısa süreliğine, sadece daha hafif işlere kullanılırlar.
- Elektrik işlerine iletken olmayan merdiven kullanınız.
- Merdiveni kötü havalarda dışarıda kullanmayınız, örn. kuvvetli rüzgar.
- Çocukların merdivenle oynamasına engel olunuz.
- Eğer mümkünse iş yerindeki kapıları (acil çıkışlar hariç) ve pencereleri kapatınız.
- Yüzünüz merdivene bakacak şekilde merdivene inip çıkınız.
- Merdivene inip çıkarken kendinizi sağlam ve düzgün bir şekilde tutunuz.
- Merdiveni kullanırken elverişli ayakkabılar kullanınız.
- Yanlara çok fazla ağırlık binmesi gerektiren işlerden kaçınınız, örn. duvar veya beton matkaplama.
- Bir merdivende düzenli olarak ara vermeden uzun periyodlarla durmayınız. (yorgunluk bir risktir).
- Daha yüksek bir kata çıkmak için kullanılacak olan dayamalı merdiven, merdivenden inme düzleminden en az 1 metre yukarıda olmalıdır.
- Merdiven üzerinde çalışırken sadece hafif ve az zahmetli teçhizat kullanınız.
- Merdiven üzerinde çalışırken bir elinizle kendinizi sıkı bir şekilde tutunuz, veya bunu yapamıyorsanız diğer emniyet tedbirlerini alınız.

Bakım ve koruma

Çok amaçlı merdiveniniz hassas bir alettir. Merdivene, eşsiz özelliklerini muhafaza etmesi için itina ile sakınarak muamele ediniz.

Özellikle kombinasyon merdivenin teleskopik borusunu her zaman temiz tutunuz.

Kombinasyon merdiveni (kayma engelleyici) kauçuk tabansız ve üst koruma ünitesiz kullanmayınız. Merdiven başlığı, tozun, matkap talaşının veya benzerlerinin teleskopik borunun içine girmesini ve merdivenin fonksiyonunu bozmasını önler. Merdivenin lastik ayakları ve merdiven başlığı, aşınan yıpranan parçalardır ve satışları, satış temsilcisi tarafından yapılmaktadır. Yıpranmaya başladıkları zaman korumaları çıkarınız.

Teleskopik merdiven yetkili tamirci tarafından tamir edilir. Onarılması gerekiyorsa, teleskopik merdiveni kullanmayınız, satış temsilcisi ile iletişime geçiniz.

DİKKAT! Kombinasyon merdivenin üzerindeki bilgi pulu yıpranmaya başladığında lütfen yenisini sipariş ediniz: Kullanma kılavuzunun arka taraftaki adrese bakınız ya da size en yakın satış şubesine başvurunuz.

Kullanmadan önce kontrol ediniz:

- teleskopik borunun eğilip bükülmediğini, burkulmadığını, darbeye içeri gömülmediğini, çatlamadığını, hasar görmediğini
- teleskopik borunun bağlantılarda tam olduğunu
- köşebentin (perçin çivileri, vidalar vb.) eksik olmadığını, gevşek oturup oturmadığını veya hasar görüp görmediğini
- basamakların, eksik, gevşek, yıpranmış, hasar veya zarar görmüş olmadığını
- lastik ayakların ve tepe korumasının, eksik, gevşek, yıpranmış, hasar veya zarar görmüş olmadığını
- tüm merdivenin temiz olduğunu (hiç bir kir, toprak, çamur, boya, yağ veya gres olmadığını)
- kilit düzeneklerinin hasar veya zarar görmediğini ve olması gerektiği gibi çalıştıklarını.

UYARI! Yukarıda yazanların doğrultusunda eksikler farkederseniz merdiveni kullanmayınız.

KULLANMA KILAVUZU

GARANTİ KOŞULLARI

Üretici, ürünün malzeme ve üretim hatasından muaf olduğunu garanti eder. Malzeme veya üretim hatası veya malzeme veya üretim hatasından ötürü meydana gelmiş hasar kanıtlanabilirse, alıcının, satın alınanın gerçekleştiği ülkede geçerli olan tüketici mallar satış yasalarına uygun olarak, ürünü tamir ettirme veya değiştirme hakkı mevcuttur.

Genişletilmiş Garanti Geçerliliği

Üretici, satınalma tarihinden itibaren bir yıl içinde meydana gelen ürün hatalarından sorumludur.

Geçerlilik Alanı

Üretici aşağıdaki sebeplerden dolayı oluşabilecek hatalardan sorumlu değildir:

- ürün kullanım kılavuzunda belirtildiği gibi kullanılmamışsa
- ürünün temizliği, bakımı, koruması, saklanması, nakliyesi kullanım kılavuzunda belirtildiği gibi yapılmamışsa
- ürün yeniden tasarlanmış, tadil edilmiş, değiştirilmiş ya da başka bir harici zarara veya kazaya uğramış ise
- ürün bilinçsizce yabancı bir nesne ya da madde tarafından hasara uğratılmış ise
- ürüne aşırı yüklenme yapılmışsa
- ürün yetkisi olmayan servis tarafından tamir edilmiş veya orjinalinden başka yedek parçalar kullanılmış ise
- ürün yanlış bir şekilde kurulmuş ise.

Hata olarak görülmeyen durumlar:

- ürünün olağan aşınması
- aşınan parçaların olağan tüketimi.

Şikayet

Garantinin geçerli olması için alış fişi/makbuzu gösterilmelidir. Alıcı şikayette bulunmak istiyorsa, şikayet etmek istediği kusur hakkında, kusurun farkedildiği andan itibaren uygun bir zaman içinde veya satınalmanın gerçekleştiği ülkede belirlenmiş geçerli olan zaman diliminde satış temsilcisine bilgi vermelidir.

Servis ve Onarım

Olası muhtemel servis ve onarım işleri, her zaman, her bir özel durum için uygun tedbir hakkında bir değerlendirme yapacak olan yetkili servis tarafından yapılmalıdır. Onarımda her zaman orjinal yedek parça kullanılır. Size en yakın yetkili servisin nerede bulunduğunu öğrenmek için satış temsilcinizle iletişime geçin ya da kullanım kılavuzunun arkasındaki adrese bakınız.

TELESTEPS



No.1 in telescopic work tools



Made by Telesteps AB
Tenngatan 4, 573 38 Tranås, Sweden
+46 (0)140 38 68 00

www.telesteps.com